




MTTU 1213

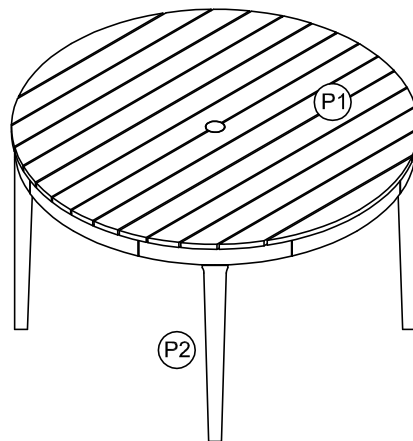
Manufactured for Rooms To Go

RIDGECREST ROUND DINING TABLE

SKU:74312136

No.	PARTS LIST		QTY
P1	TABLE TOP		1
P2	LEGS		4

No.	HARDWARE PACK		QTY
1		BOLT 3/8"-21 x 2"	12Pcs
		SPRING WASHER 3/8"x13x1.5mmT	12Pcs
		FLAT WASHER 3/8"x16x1mmT	12Pcs
2		ALLEN KEY M4x30x75mm	1Pc
3		PARASOL CAP	1Pc



Hardware Pack Location(s): Bottom of the table that the bases are attached to.

MTTU 1213

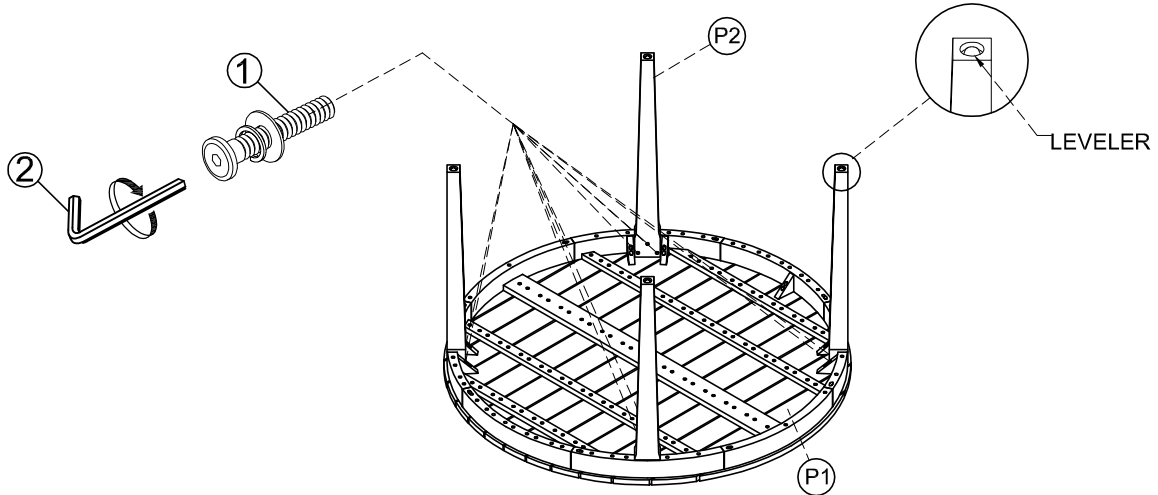
Manufactured for Rooms To Go

RIDGECREST ROUND DINING TABLE

SKU:74312136

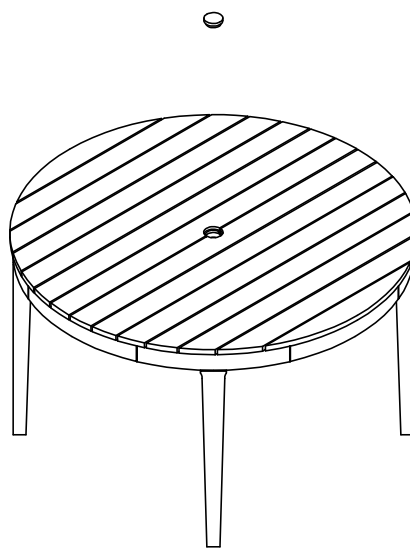
***Caution: Please read all instructions carefully before starting the assembly process. These parts are cumbersome and heavy. Therefore, two person assembly is recommended in order to prevent personal injury and damaged parts .

STEP1:



Assemble the table legs (P2) into the table top (P1) by bolts, spring washer, flat washer. Using allen key to tighten all bolts.

STEP2:



Assembled complete.