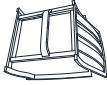



LAKE BREEZE PADDED SLING SWIVEL DINING FRAME

Manufactured for Rooms to Go

ZXFC 74334586

IMPORTANT: PLEASE READ COMPLETE INSTRUCTION SHEET PRIOR TO ASSEMBLY!
 Identify all parts packed in carton against the parts list. Remove all protective materials, place parts on a nonabrasive surface to avoid scratching. If any parts are missing Or damaged, DO NOT attempt to assemble. Please contact our customer service center (1-888-709-5380) Monday-Friday 8:00am – 8:00pm Eastern. Saturday 8:00am – 6:00pm Eastern. Customerservice@roomstogo.com

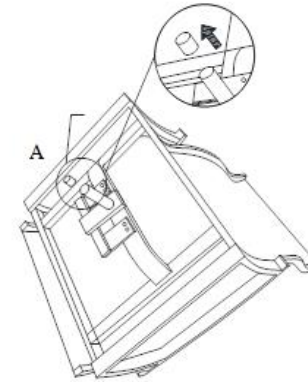
PARTS LIST							
A	CHAIR FRAME		1	B	BASE		1

IMPORTANT:

- Cover furniture with outdoor furniture covers when not in use.

Step1

Remove the T-rocker plastic protector as shown in the picture.



Step2

Place the base on the floor and insert the seat's T-rocker into the base, push hard to secure the center shaft fully into the base. Assembly is now complete and your chair is ready to use!

