
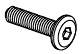
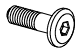
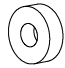

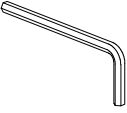
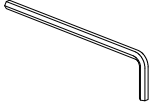
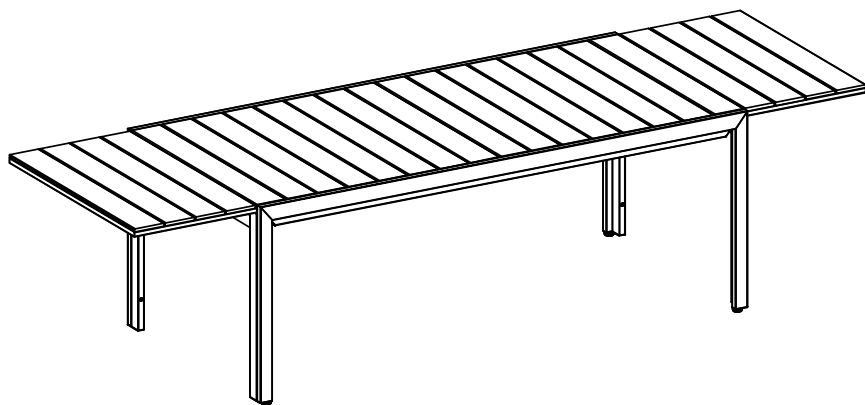
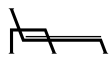





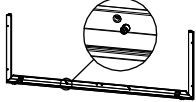
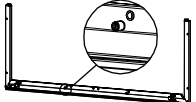

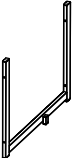
Step	Code	Hardware		Q'TY
5	A	B-Bolt 6x60, F-HEX, ST Support piece P038, L42.5		8pcs
4	B	F-Bolt 6x18, P-HEX, ST		4pcs
4	C	F-Bolt 6x25, P-HEX, ST (L(thread)=10)		4pcs
4	D	Plain washer 6.5x16x5, PL		4pcs
4	E	Plain washer 6.5x16x1, PL		4pcs
5	F	Allen key 5x58		1pcs
4	G	Allen key 4x98		1pcs



Hardware Pack Location(s):

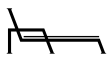
OCEAN TIDE REC EXT DN, SKU# 74342305



Step	Code	Hardware		Q'TY
1	H	SU-TB-TF-2205 (Table Top)		1pc
1	I	SU-TB-TF-2246 (Table Top)		1pc
1	J	SU-TB-TF-2204 (Table Top)		1pc
2	K	SU-TB-LF-1597 (Leg Frame)		1pc
2	L	SU-TB-LF-1598 (Leg Frame)		1pc
4	M	SU-TB-SP-0830 (Support Frame)		1pc
5	N	SU-TB-LF-1567 (Leg Frame)		2pcs

Hardware Pack Location(s):

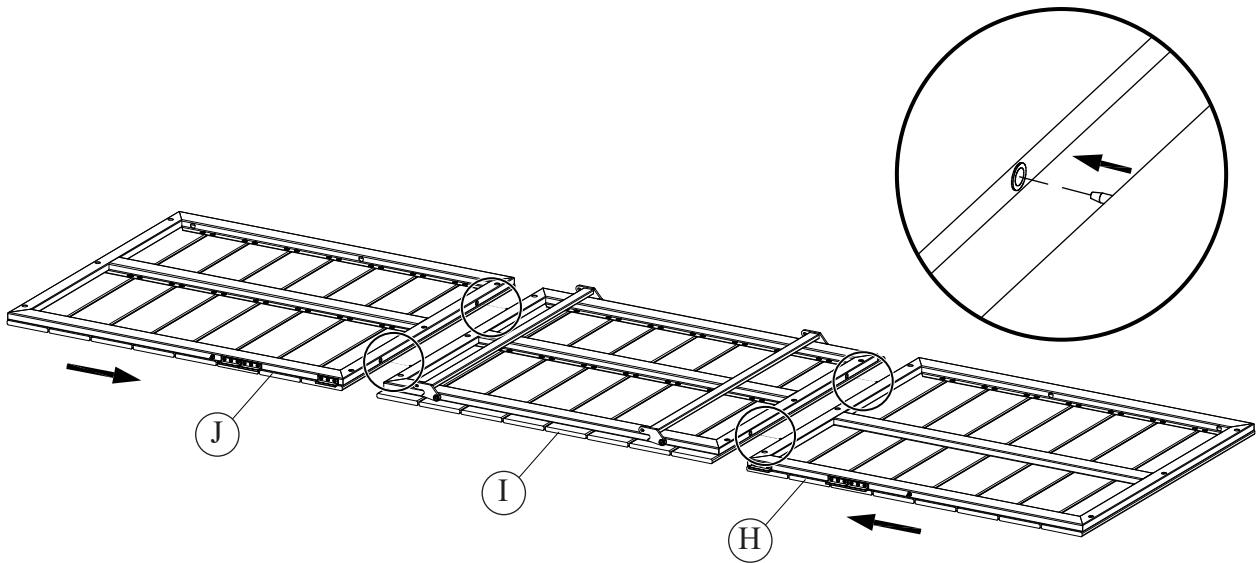
OCEAN TIDE REC EXT DN, SKU# 74342305



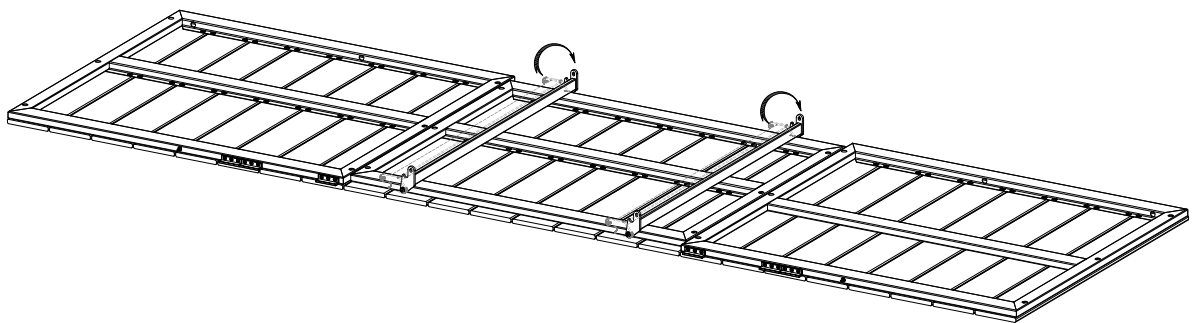
***Caution: Please read all instructions carefully before starting the assembly process. These parts are cumbersome and heavy. Therefore, two people are recommended in order to prevent personal injury and insure the parts are not damaged during the assembly.

STEP 1:

Notice: For parts **I**, **J**, **H** please make sure two leaf are as below positions.



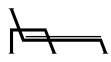
Attach the the table top **J** and **H** to table top **I** .



Rotate two support bars as above position.

Hardware Pack Location(s):

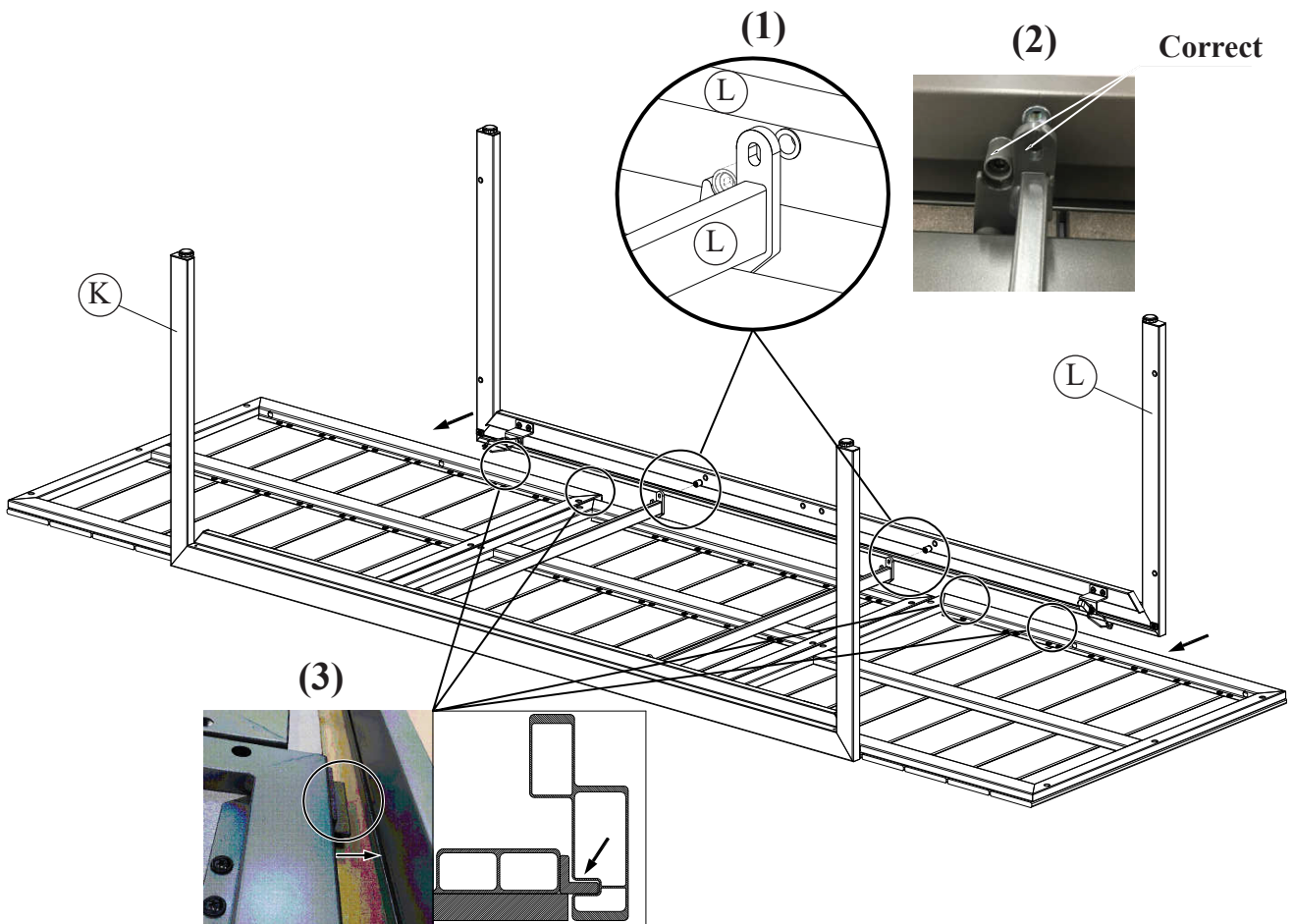
OCEAN TIDE REC EXT DN, SKU# 74342305



***Caution: Please read all instructions carefully before starting the assembly process. These parts are cumbersome and heavy. Therefore, two people are recommended in order to prevent personal injury and insure the parts are not damaged during the assembly.

STEP 2:

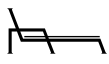
Notice: The sticker on part **L** of leg frame should match with the sticker **L** on the support frame of the table top (part **I**) as shown in the picture (1). If it doesn't match, change the leg to other side. Make sure these two parts will fit together as shown in the picture (2).



Make sure the table top leaf tenons are aligned properly in the leg frame groove as shown in picture (3), then connected via the 4 black lock/latch on both ends. Fix 4 blocks in corners are as above. Carry out the same assembly for the part **K**.

Hardware Pack Location(s):

OCEAN TIDE REC EXT DN, SKU# 74342305

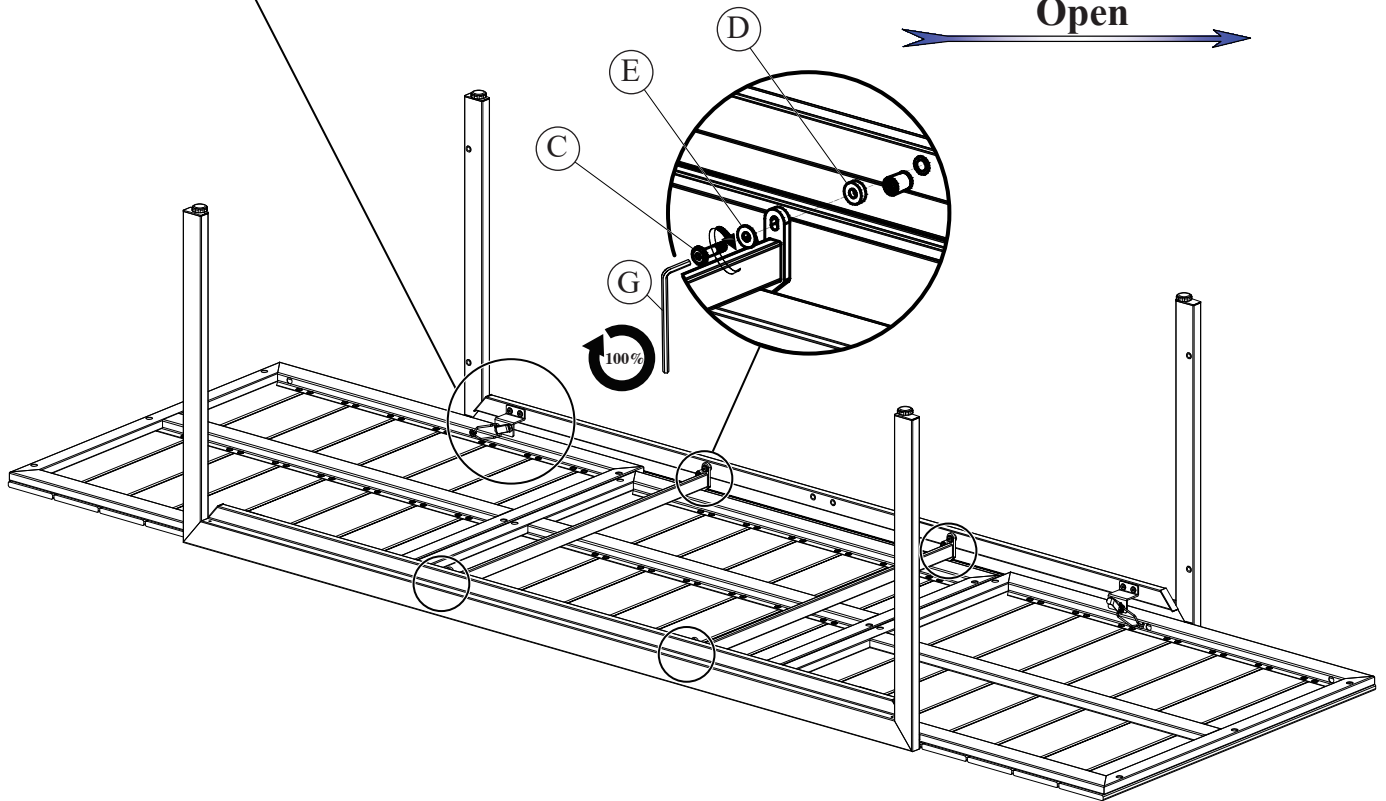
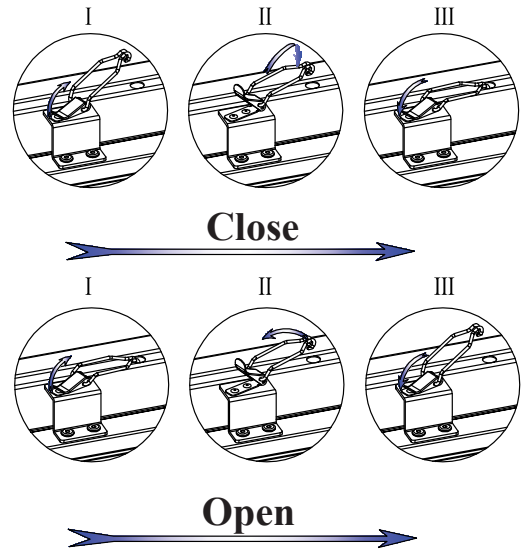


***Caution: Please read all instructions carefully before starting the assembly process. These parts are cumbersome and heavy. Therefore, two people are recommended in order to prevent personal injury and insure the parts are not damaged during the assembly.

STEP 3:



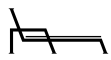
If the lock does not work, please loosen the bolts and adjust the lock to fix the hole and then tighten the bolts



Attach the leg frame **L** and leg frame **K** with F-Bolt **C**, Plain washer **D** and Plain washer **E**.
Use allen key **G** to tighten all bolts.

Hardware Pack Location(s):

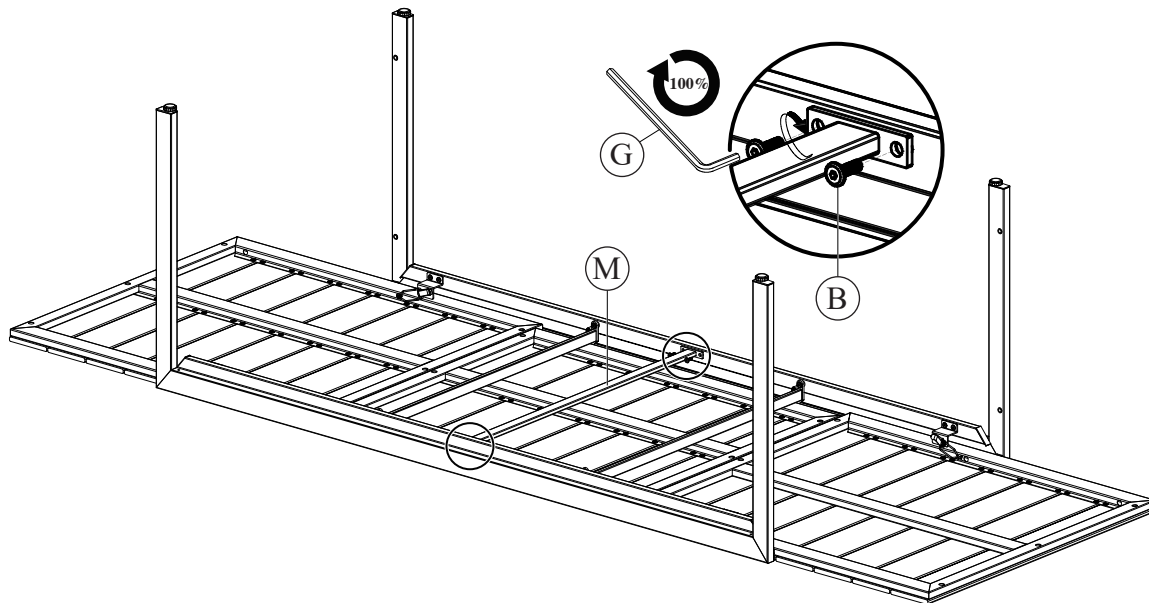
OCEAN TIDE REC EXT DN, SKU# 74342305



***Caution: Please read all instructions carefully before starting the assembly process. These parts are cumbersome and heavy. Therefore, two people are recommended in order to prevent personal injury and insure the parts are not damaged during the assembly.

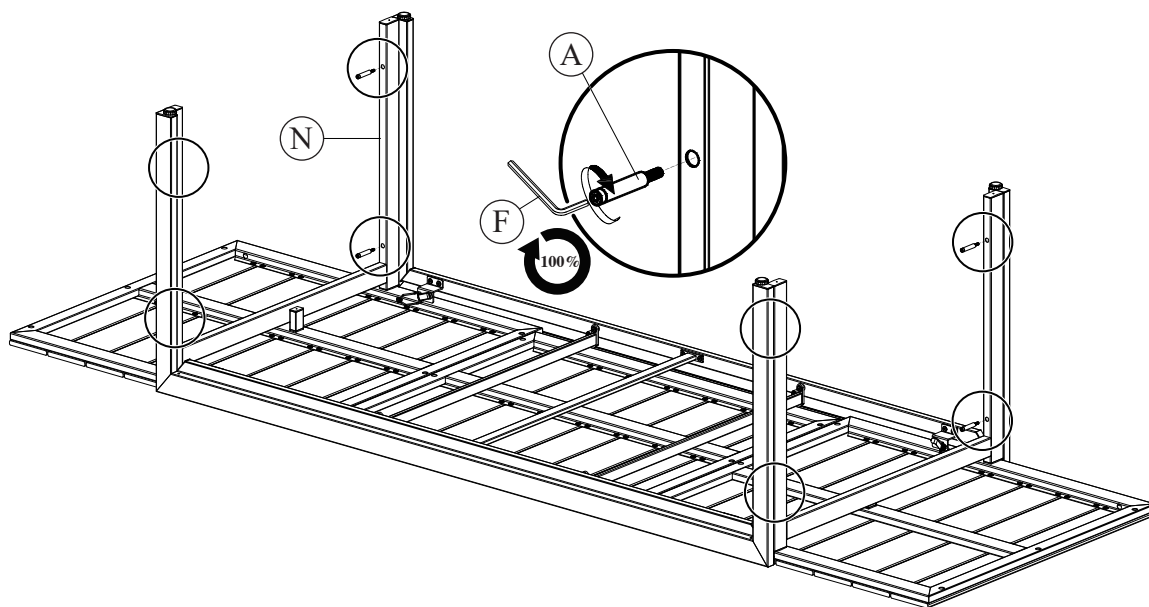
STEP 4:

Attach the support frame **M** to assembled frame using the F-Bolt **B**, aligning the holes. Tighten all the F-Bolt **B** with the allen key **G**.



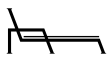
STEP 5:

Attach the leg frames **N** to assembled frame using the B-Bolt **A**, aligning the holes. Tighten all the B-Bolt **A** with the allen key **F**.



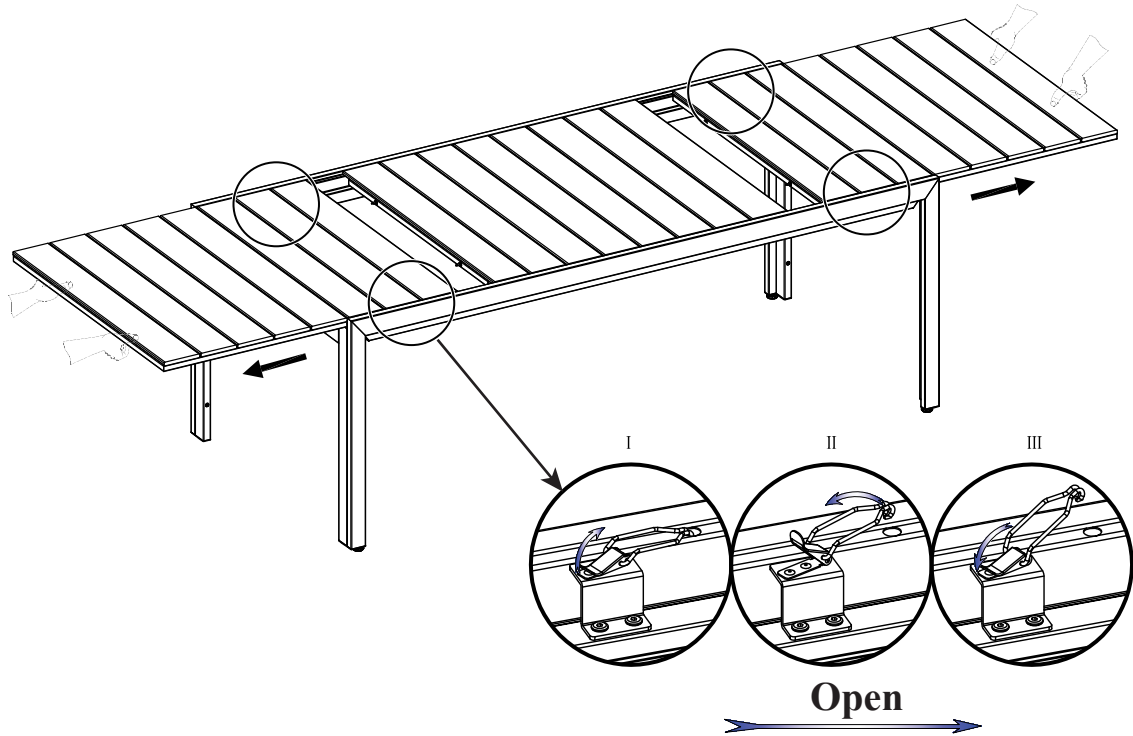
Hardware Pack Location(s):

OCEAN TIDE REC EXT DN, SKU# 74342305

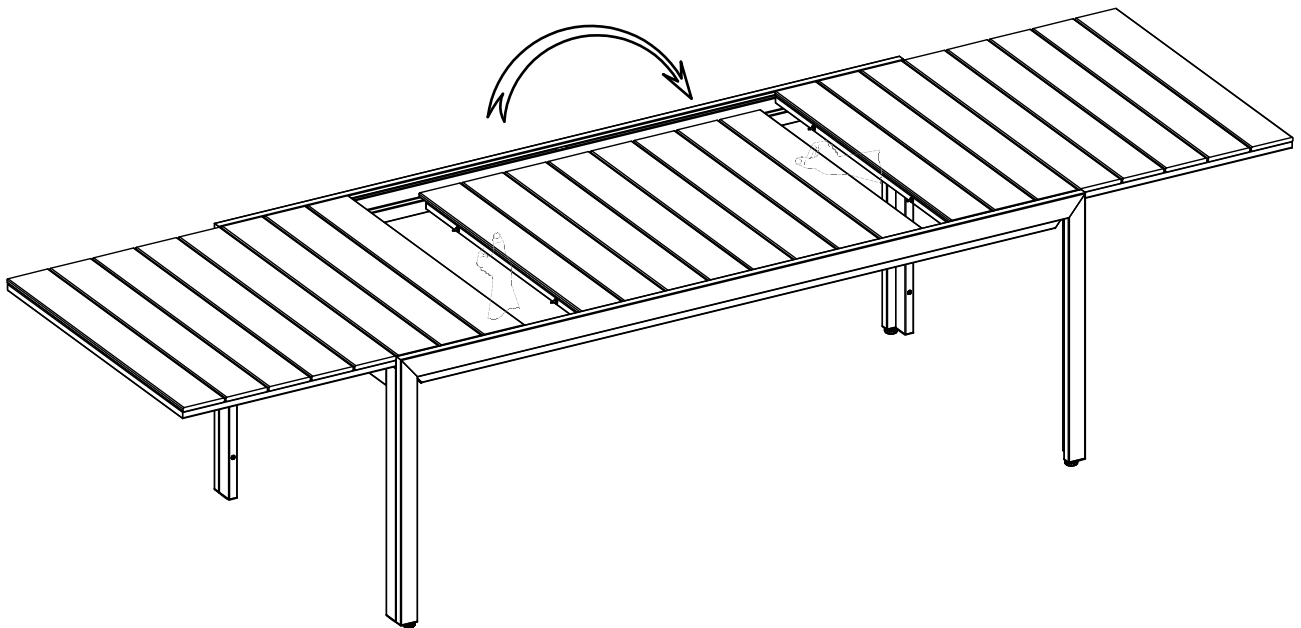


***Caution: Please read all instructions carefully before starting the assembly process. These parts are cumbersome and heavy. Therefore, two people are recommended in order to prevent personal injury and insure the parts are not damaged during the assembly.

STEP 6:

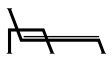


STEP 7:



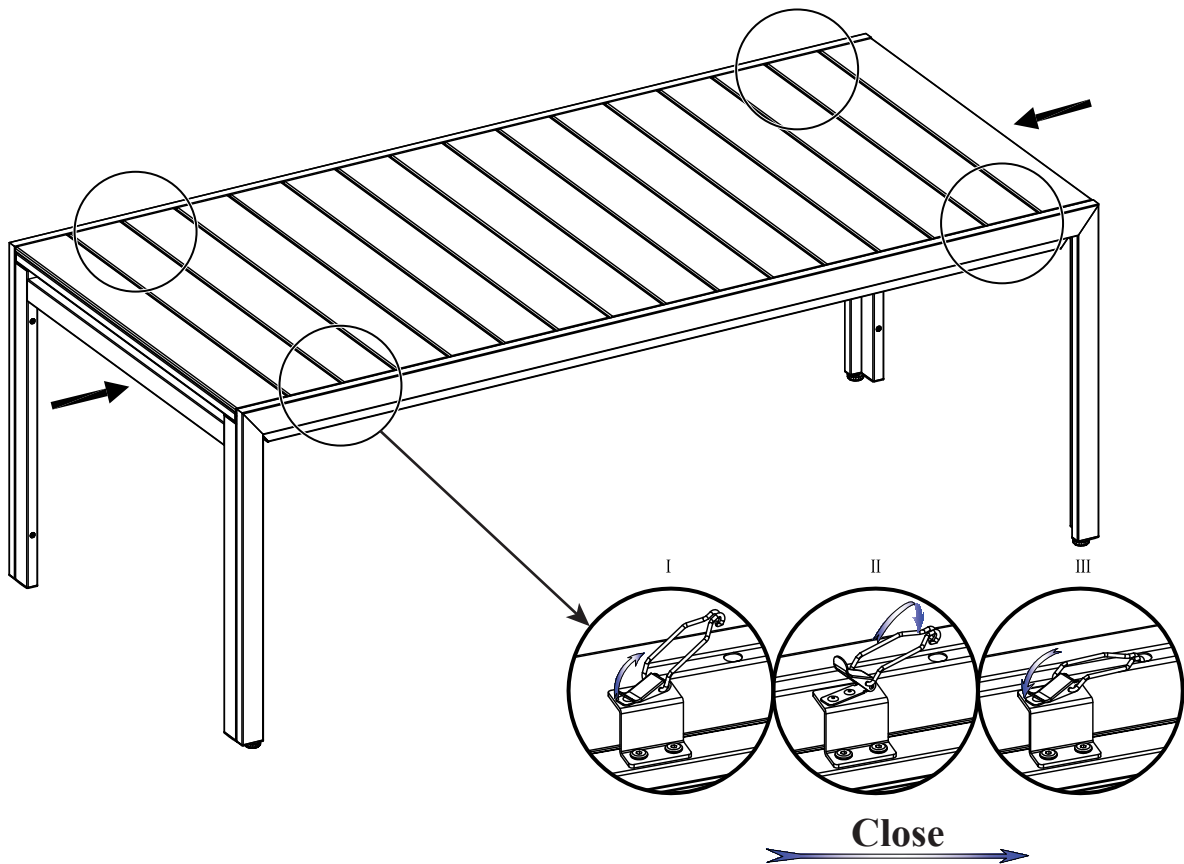
Hardware Pack Location(s):

OCEAN TIDE REC EXT DN, SKU# 74342305



***Caution: Please read all instructions carefully before starting the assembly process. These parts are cumbersome and heavy. Therefore, two people are recommended in order to prevent personal injury and insure the parts are not damaged during the assembly.

STEP 8:



Hardware Pack Location(s):

OCEAN TIDE REC EXT DN, SKU# 74342305