











SUNNY SYPR

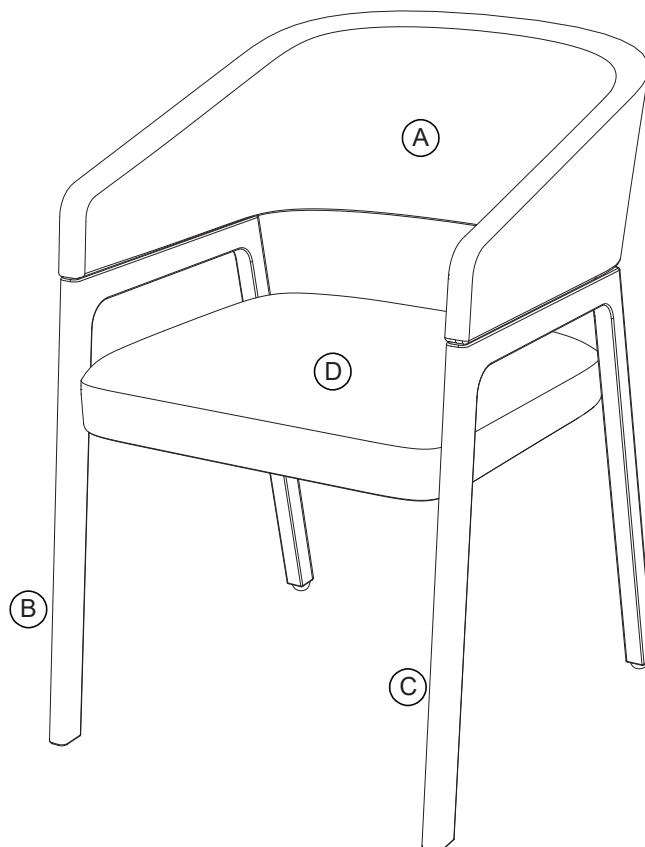
Manufactured for Rooms To Go

LOGEN DINING ARM CHAIR

SKU:74500301

No.	PARTS LIST		QTY
A	BACK PANEL		1
B	RIGHT CHAIR LEG		1
C	LEFT CHAIR LEG		1
D	SEAT PANEL		1

No.	HARDWARE PACK		QTY
AA		BOLT M6 x 20mm	2
BB		BOLT M6 x 40mm	6
CC		BOLT M6 x 50mm	4
DD		WASHER M6	12
EE		ALLEN KEY	1
FF		CAP M6	12



Hardware Pack Location(s): Bottom of the back panel and seat panel.

SUNNY SYPR

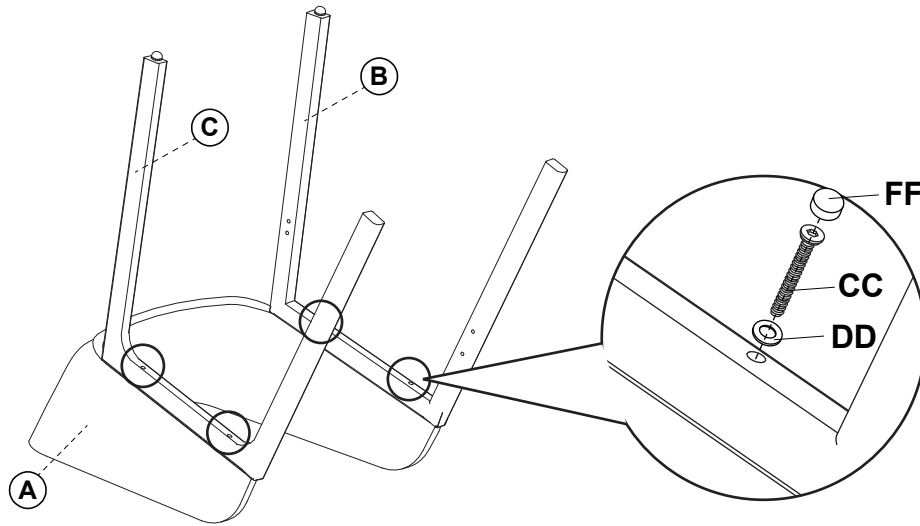
Manufactured for Rooms To Go

LOGEN DINING ARM CHAIR

SKU:74500301

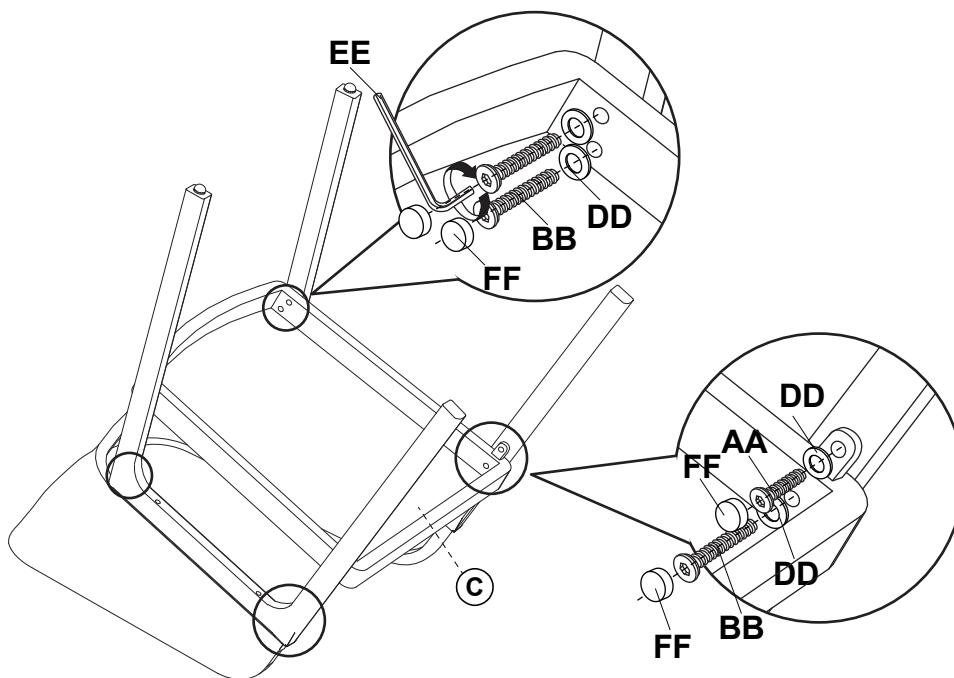
*****Caution:** Please read this instruction carefully before starting the assembly process. These parts are cumbersome and heavy. Therefore, two person assembly is recommended in order to prevent personal injury and damaged parts.

STEP1:



Attach the right (B) and left (C) chair leg to the back panel (A) with bolts and washers.

STEP2:



Attach the seat panel (D) to the right (B) and left (C) chair leg with bolts and washers, using allen key to tighten all the bolts.

SUNNY SYPR

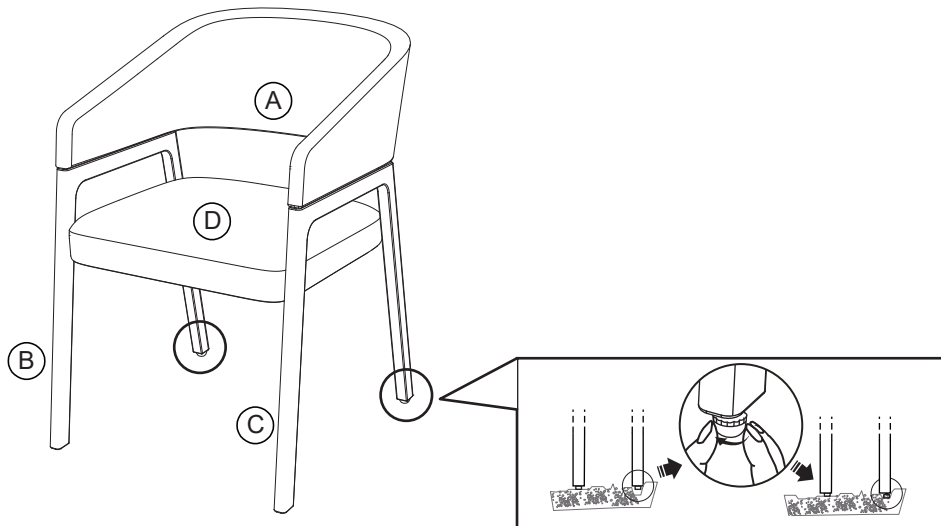
Manufactured for Rooms To Go

LOGEN DINING ARM CHAIR

SKU:74500301

*****Caution:** Please read this instruction carefully before starting the assembly process. These parts are cumbersome and heavy. Therefore, two person assembly is recommended in order to prevent personal injury and damaged parts.

STEP3:



Adjust the foot leveler. Assembly complete.

IMPORTANT SAFETY INSTRUCTIONS

When using furnishing, basic precautions should always be followed, including the following:
Read all instructions before using (this furnishing).

To reduce the risk of injury to persons:

1. Close supervision is necessary when this furnishing is used by, or near children, or disabled persons, if applicable.
2. Use this furnishing only for its intended use as described in these instructions. Do not use attachments not recommended by the manufacturer.