












LAKE BREEZE PADDED DINING CHAIR

Manufactured for Rooms to Go

ZXFC 74534580

IMPORTANT: PLEASE READ COMPLETE INSTRUCTION SHEET PRIOR TO ASSEMBLY!

Identify all parts packed in carton against the parts list. Remove all protective materials, place parts on a nonabrasive surface to avoid scratching. If any parts are missing Or damaged, DO NOT attempt to assemble. Please contact our customer service center(1-888-709-5380) Monday-Friday 8:00am – 8:00pm Eastern. Saturday 8:00am – 6:00pm Eastern. Customerservice@roomstogo.com

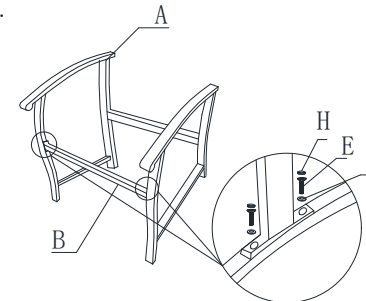
PARTS LIST							
A	CHAIR BASE		1	F	WASHER		4
B	SUPPORT FRAME		1	G	PE CAP1		4
C	BRACKET		1	H	PE CAP2		4
D	BOLT 1/4"-22X40MM		4+1	I	ALLEN KEY		1
E	BOLT 1/4"-22X20MM		4+1				

IMPORTANT:

- Cover furniture with outdoor furniture covers when not in use.

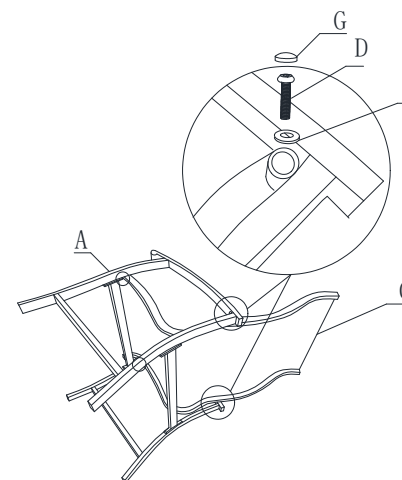
Step 1

Take out the chair base A, support frame B, Use bolt E and washer F to assemble the support frame B to chair base A. Do not fully tighten the bolts.



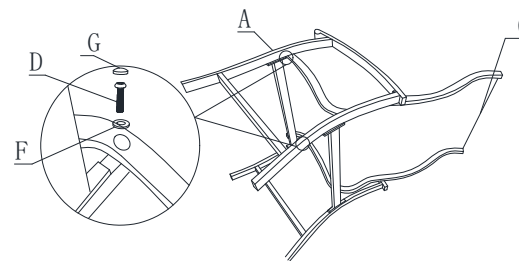
Step2

Take out the bracket C, Use bolt D and washer F to assemble the chair base A. Do not fully tighten the bolts.



Step3

Use bolt D and washer F to assemble the Bracket C to the chair base A. Use Allen Key I to tighten all bolts. Put PE Caps 1 (G) on Bolts D. Put PE Caps 2 (H) on Bolts E.



Step4

Turn your chair over, feet to the floor. Your product is ready for use!

