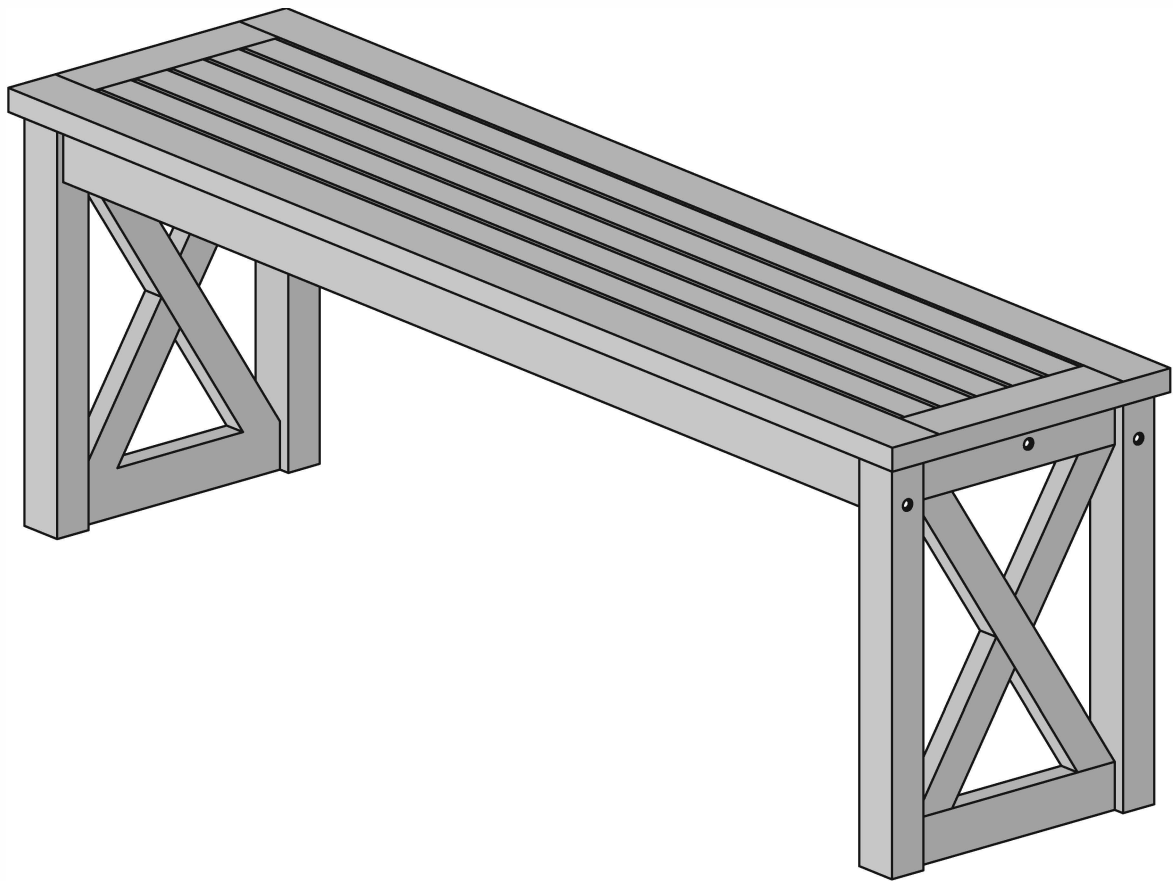


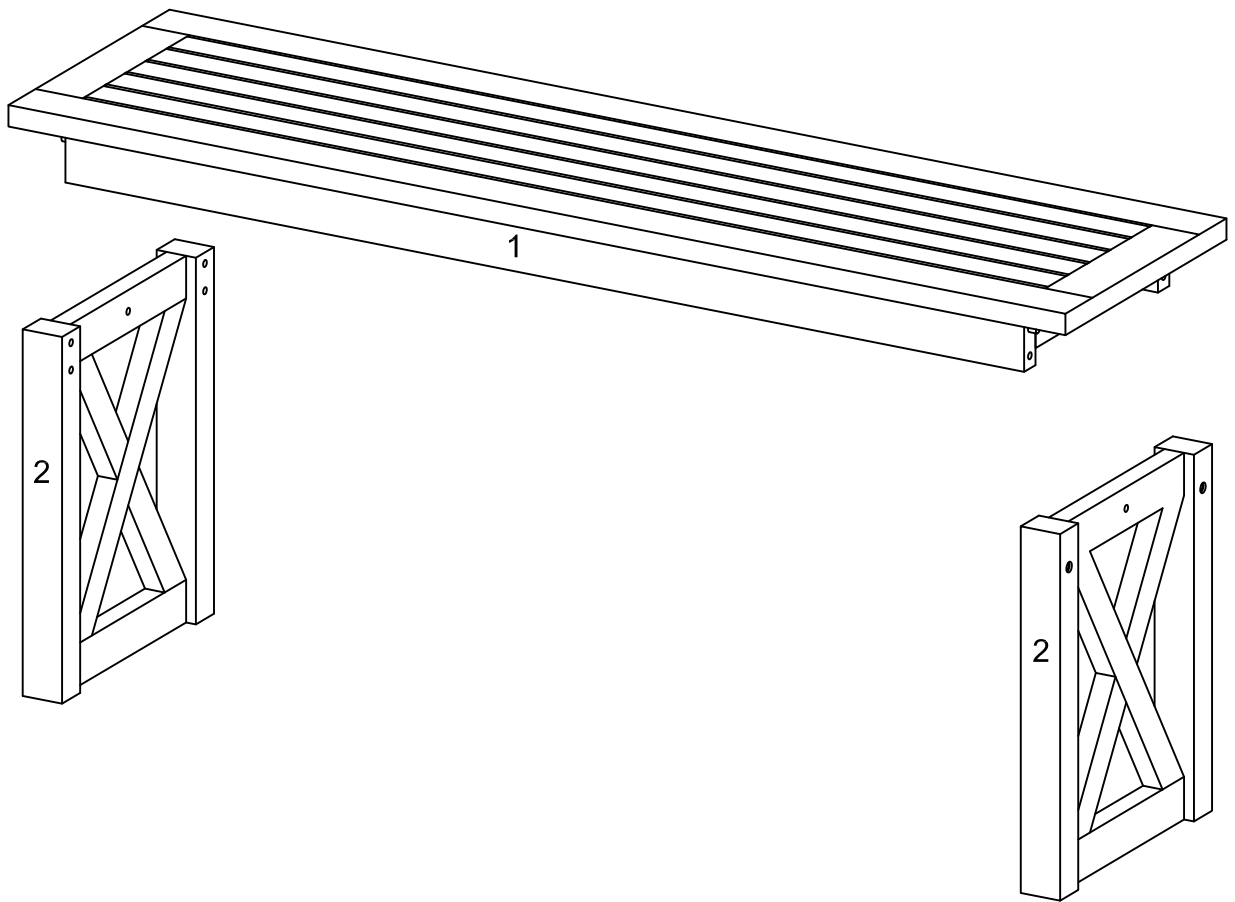
Item # : OWB52X
Assembly Instructions



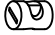
Please visit our website for the most current instructions, assembly tips, report damage, or request parts. www.walkeredison.com

Revised 03/2017

Parts List

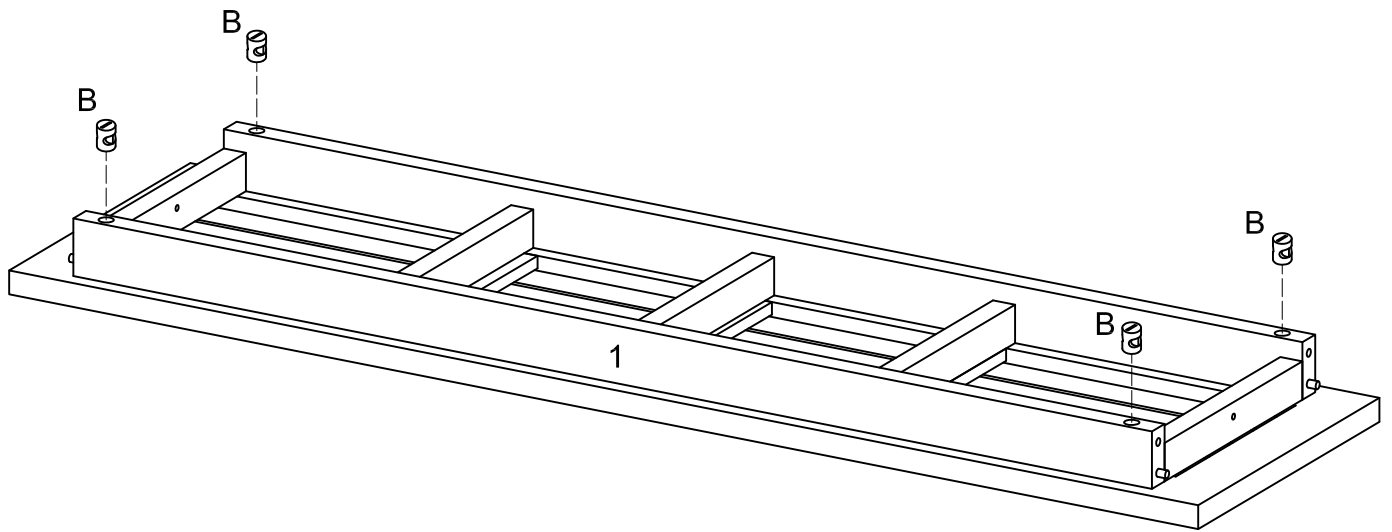


Hardware List

A		M8*90	Bolt	4 pcs
B			Barrel nut	4 pcs
C		M8*60	Bolt	2 pcs
D		M4	Wrench	1 pc

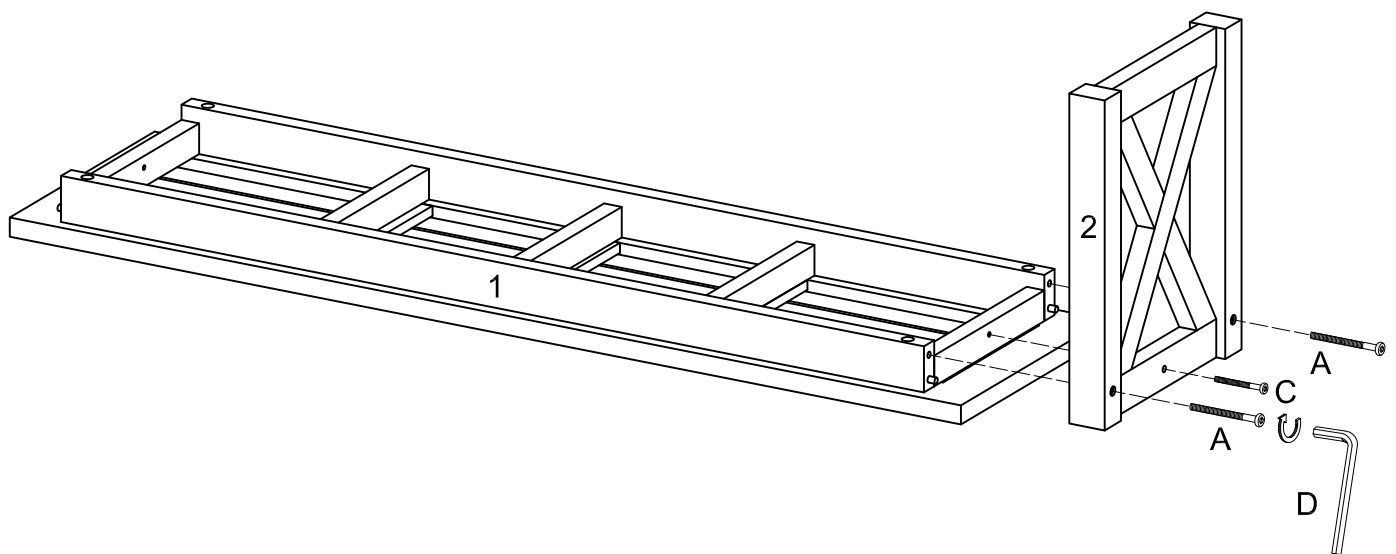
*The hardware quantities listed above are required for proper assembly.
Some extra hardware may also have been included.*

Step 1



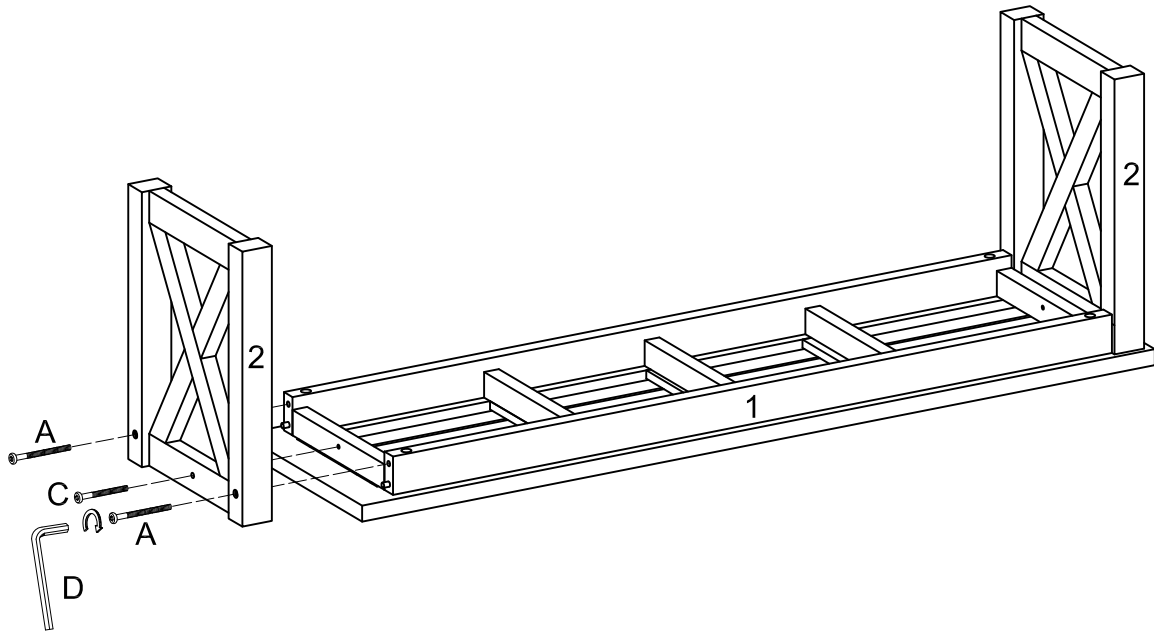
Insert the Barrel Nut (B) into the Top Panel (1).

Step 2



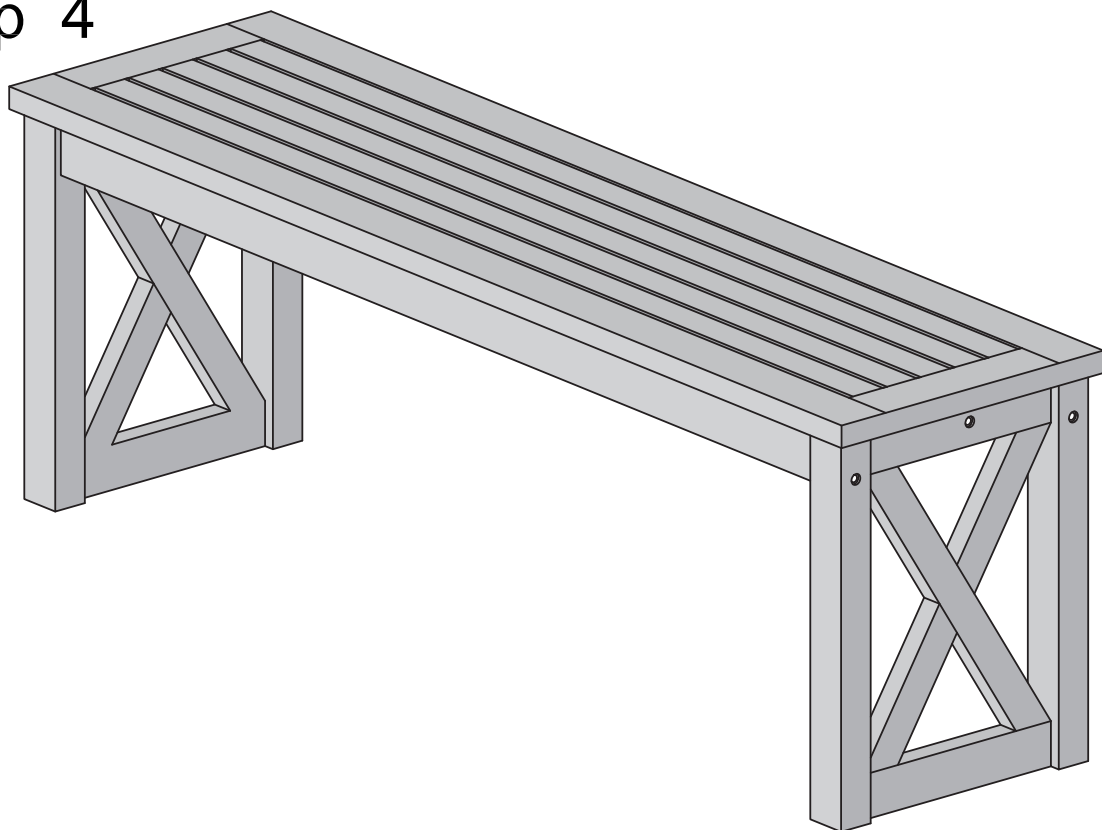
Use Wrench (D), Bolt (A) and (C) to secure the Side Frame (2) to the Top Panel (1).

Step 3



Use Wrench (D), Bolt (A) and (C) to secure the Side Frame (2) to the Top Panel (1).

Step 4



Final Assembly