






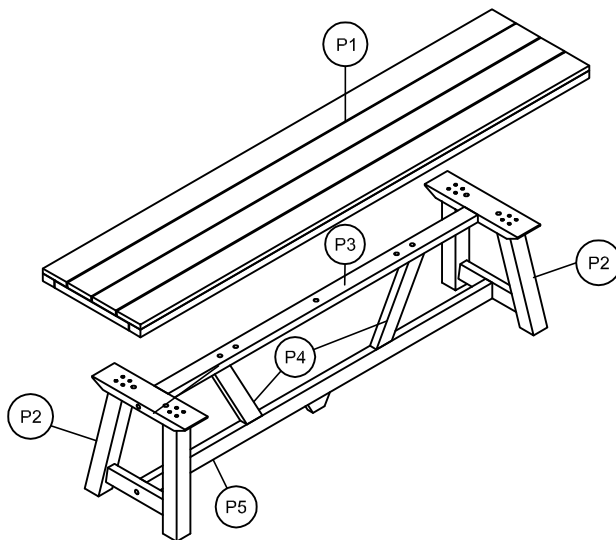
Manufactured for Rooms To Go

MTTU 7480

SKU: 74674803

No.	PARTS LIST		QTY
P1	BENCH TOP		1
P2	LEGS		2
P3	SUPPORT BAR		1
P4	SHORT SUPPORT BAR		2
P5	CROSS BAR		1

No.	HARDWARE PACK		QTY
1		BOLT 3/8"-21x 1-3/4"	11Pcs
		FLAT WASHER 3/8"x16x1mmT	11Pcs
		SPRING WASHER 3/8"x13x1.5mmT	11Pcs
2		BOLT 3/8"-21x 2-3/4"	4Pcs
		FLAT WASHER 3/8"x16x1mmT	4Pcs
		SPRING WASHER 3/8"x13x1.5mmT	4Pcs
3		ALLEN KEY 4x50x70mm	1Pc
4		WOOD PLUG	2Pcs
		RUBBER HAMMER	Not provided

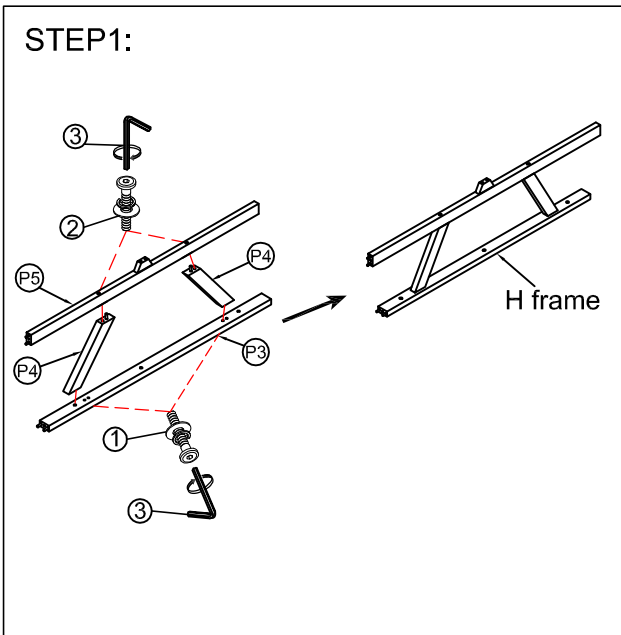


**Hardware Pack Location(s):** Bottom of the bench that the bases are attached to.

PATMOS 78" WOOD BENCH ,74674803

\*\*\*Caution: Please read all instructions carefully before starting the assembly process. These parts are cumbersome and heavy. Therefore, two person assembly is recommended in order to prevent personal injury and damaged parts .

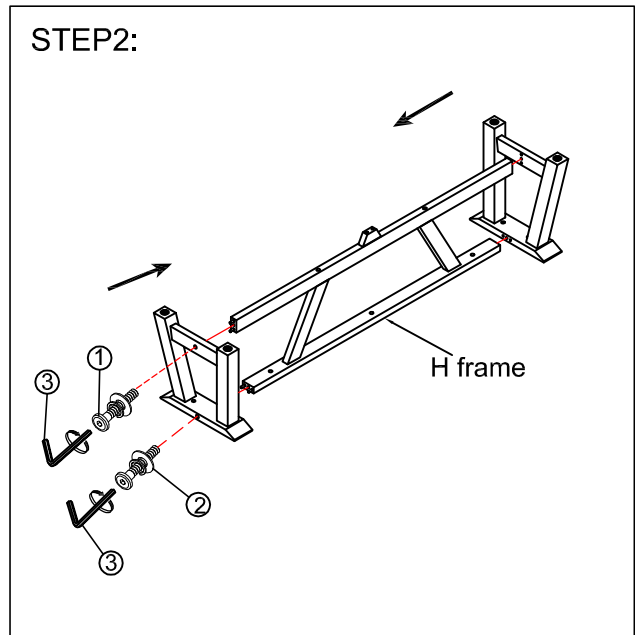
### STEP1:



Assemble the short support bar (P4) into the support bar (P3) and the cross bar (P5).

Note: Do not fully tighten the bolts until the last step.

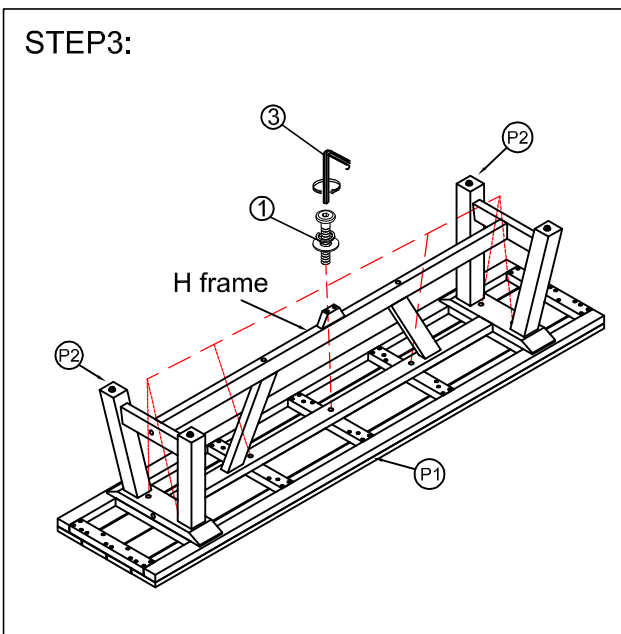
### STEP2:



Assemble the H frame into the legs.

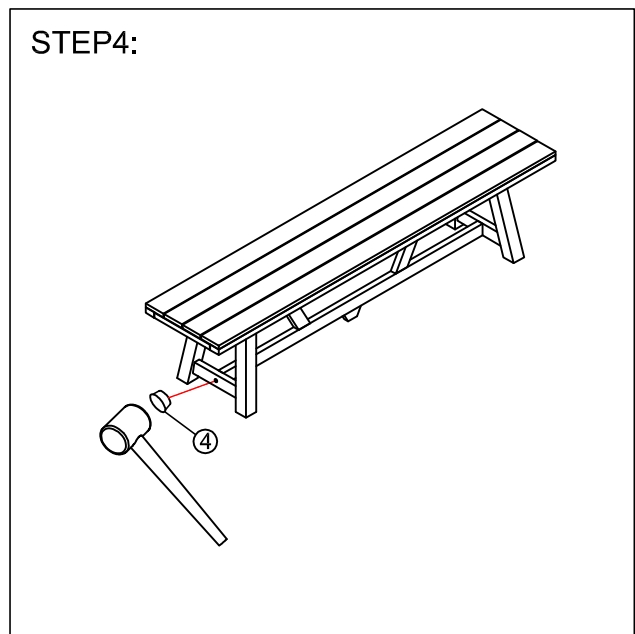
Note: Do not fully tighten the bolts until the last step.

### STEP3:



Put the seat frame bottom of Bench up, assemble the leg frame into Bench frame. And tighten all bolts.

### STEP4:



Turn the bench over and use the rubber hammer to put the wood plug into the leg and assembly completed.