

Siesta Key Woven Dining Table w/ Glass

IMPORTANT: PLEASE READ COMPLETE INSTRUCTION SHEET PRIOR TO ASSEMBLY!

Identify all parts packed in carton against the parts list. Remove all protective materials, place parts on a nonabrasive surface to avoid scratching. If any parts are missing or damaged, DO NOT attempt to assemble. Please contact our customer service center (Monday-Friday 9:00 a.m.-5:00 p.m. CST) at 1-877-931-7378 (fax: 952-746-0344), or e-mail: xinyue@xinyueinternational.com.

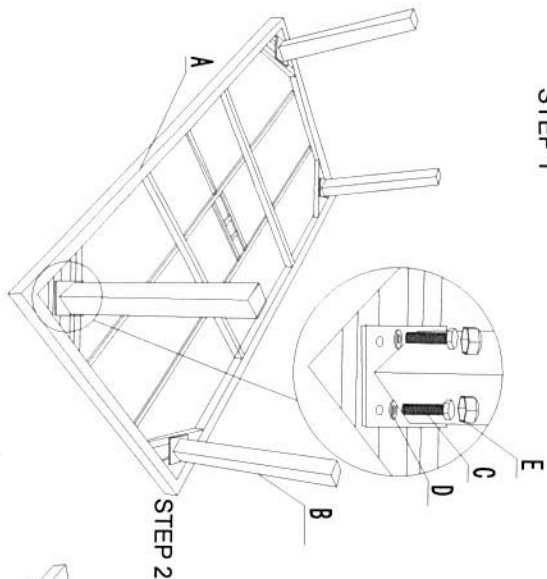
Step 1

Take out table Top A on the soft surface, attach Leg B with Top A by Allen Bolt M6x18mm C & Washer D, use Allen Wrench H tighten completely. put on PE Cap E on the Bolt. Fig 1

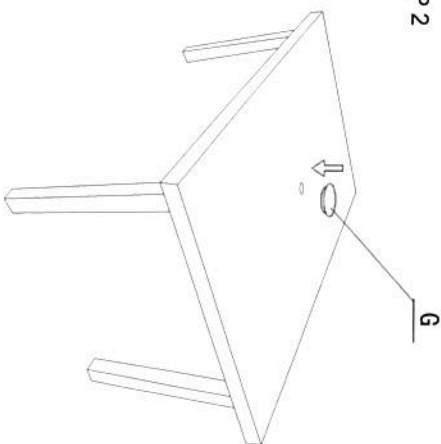
Step 2









Turn over and clear the table, put the glass F on the table top, and then Put on the Umbrella cap G, now your table is ready to use.

STEP 1



STEP 2



PARTS LIST						
A	TABLE TOP		1	E	PE CAP	
B	LEG		4	F	GLASS	
C	ALLEN BOLT M6x18mm		16	G	UMBRELLA CAP	
D	METAL WASHER		16	H	ALLEN WRENCH	

IMPORTANT:

- To avoid damage to your table: An umbrella base must be used at all times.
- If applicable, make sure the plastic umbrella safety ring is installed in center of the table before you insert the umbrella pole through the table.
- Remove umbrella from the table when not in use or in the event of wind, rain, hail, snow or any other inclement weather.
- In storing patio furniture, do not stack anything on glass, stone or marble table tops.
- Before storing, drain all water that may have accumulated in or around table frame. If not drained properly, water can cause freeze damage.
- Cover furniture with outdoor furniture covers when not in use.
- For safety reasons, do not sit or stand on the table.