




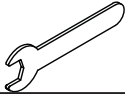



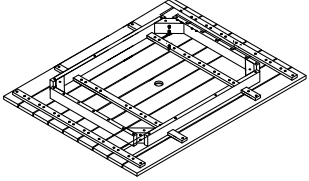

ASSEMBLY INSTRUCTIONS

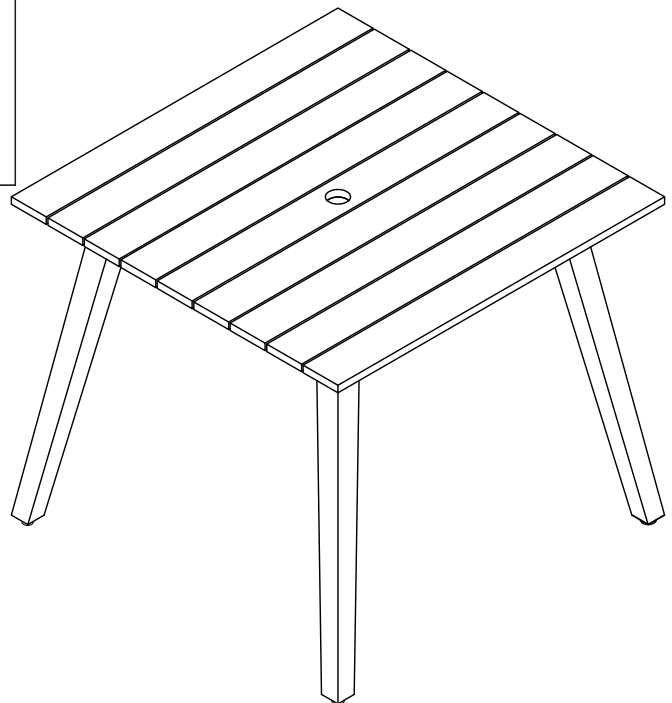
EFAR 2222 TESSERE SQUARE DINING TABLE W/HOLE

SKU# 75022221

Manufactured By EFAR For Rooms To Go

Step	Code	Hardware	Q'TY
1	1	Flat Washer 1x8.5/26 	8pcs
1	2	Spring Washer 1x8.5/13 	8pcs
1	3	Hex nut 8x13 	8pcs
1	4	Wrench 13x90 	1pc
2	5	Umbrella cap 	1pc

No.	Part List		Q'TY
A	Table top		1pc
B	Leg		4pcs



Hardware Pack Location(s):

EFAR 2222 TESSERE SQUARE DINING TABLE W/HOLE

SKU# 75022221



ASSEMBLY INSTRUCTIONS

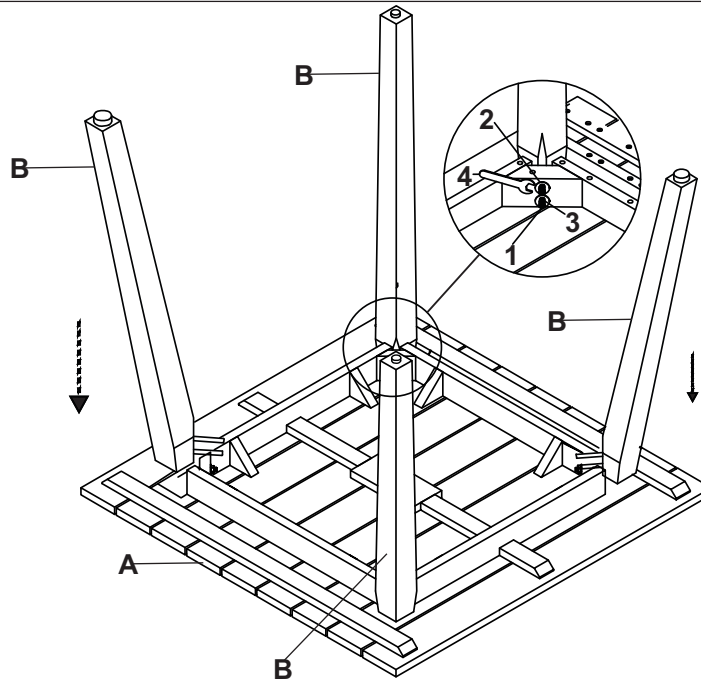
EFAR 2222 TESSERE SQUARE DINING TABLE W/HOLE

SKU# 7502221

Manufactured By EFAR For Rooms To Go

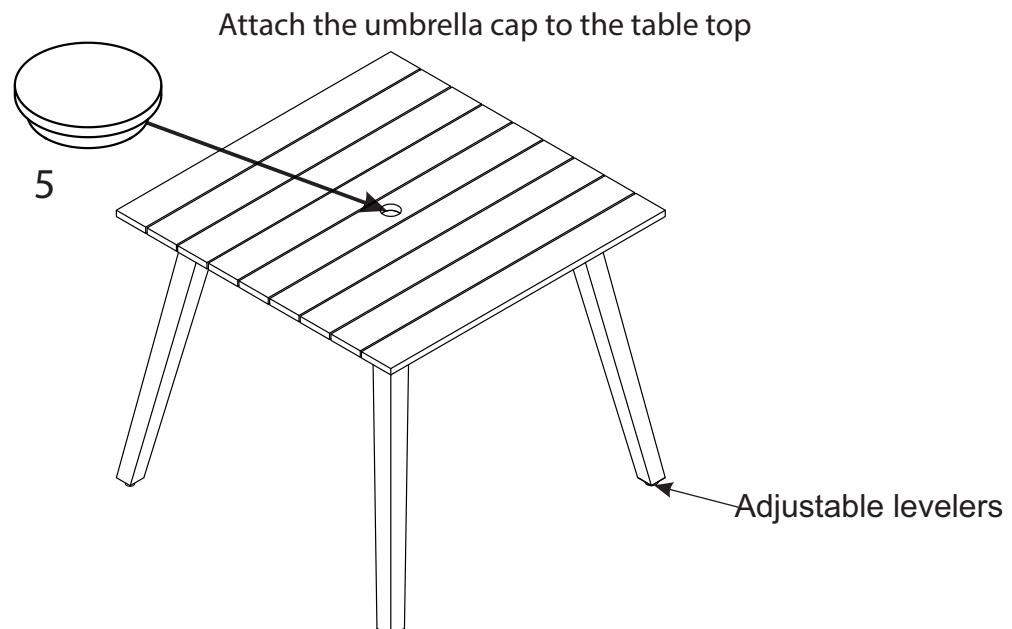
***Caution: Please read all instructions carefully before starting the assembly process. These parts are cumbersome and heavy. Therefore, two people are recommended in order to prevent personal injury and insure the parts are not damaged during the assembly.

STEP 1:



Place the Table top on the clean, soft surface as a blanket or carpet. Assemble the Leg (B) part to the Table top (A) by Flat washer, Spring washer, Hex nut (Part 1, 2, 3) and loosely tighten with Wrench (Part 4). When inserting the Hex nuts, loosely tighten each about 5-6 full turns and ensure each of the 4 Hex nuts fit well. Once all 4 are inserted and loosely tightened, proceed to fully tighten each Hex nut.

STEP 2:



After assembling, your product is ready to use.