

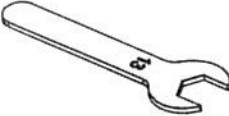
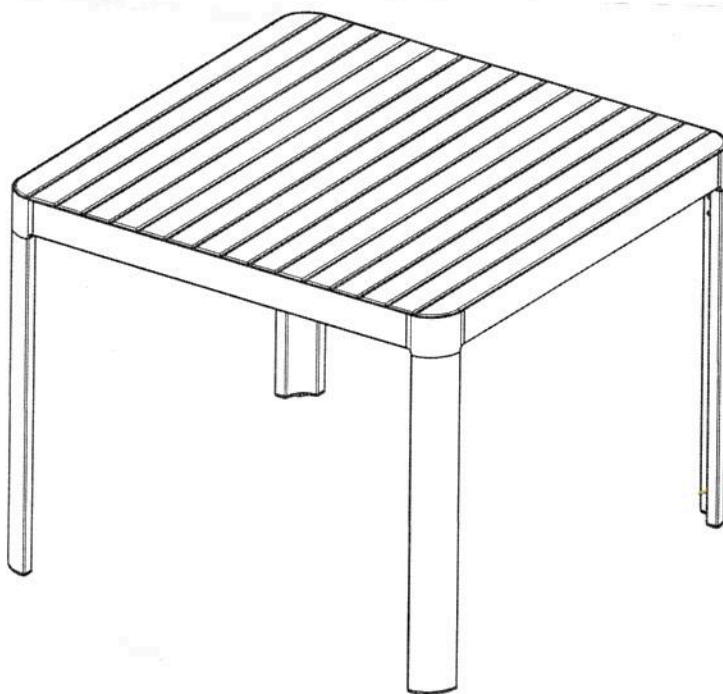




Assembly Instructions

SCIT Clemente Sq Tbl Teak SKU# 75048504/75048528

Step	Code	Hardware	Q'TY
1	A	Plain washer 8.5x17x3mm, ST 	4pcs
1	B	Hex Nut 8x6mm, ST 	4pcs
1	C	Wrench 13x88mm 	1pc



Hardware Pack Location(s):

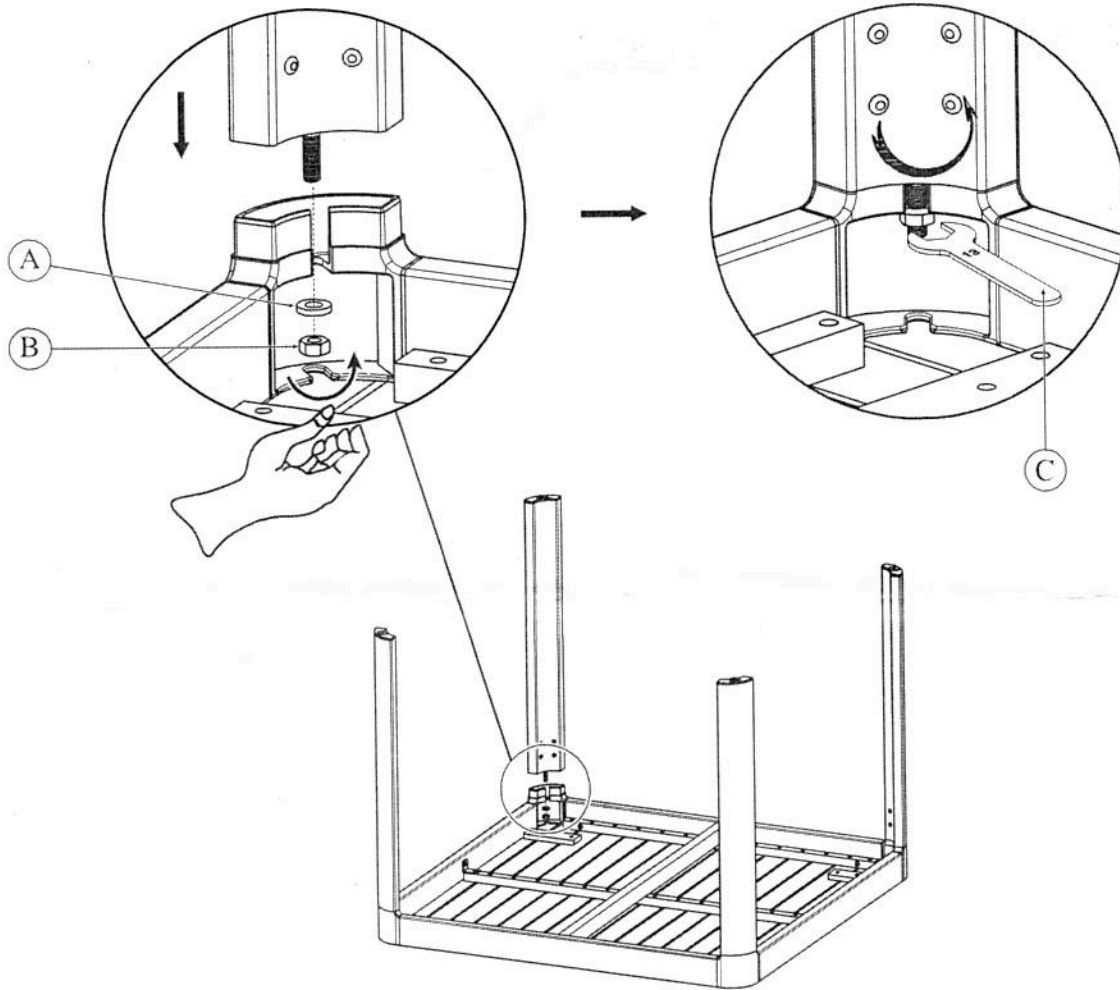


Assembly Instructions

SCIT Clemente Sq Tbl Teak SKU# 75048504/75048528

***Caution: Please read all instructions carefully before starting the assembly process. These parts are cumbersome and heavy. Therefore, two people are recommended in order to prevent personal injury and insure the parts are not damaged during the assembly.

STEP 1:



Attach the table legs to assembled the table top with plain washer A and hex nut B. Hand tighten only. To make sure it is level, making any necessary adjustment before tightening all bolts with wrench C.

Hardware Pack Location(s):