

Assembly Instructions






Identify all parts packed in the carton against the parts list. Remove all protective materials. Place parts on a non-abrasive surface to avoid scratching.

Do Not Attempt Assembly If Any Parts Are Missing Or Damaged.

Warning: Please do not use acid or alkaline washing liquid to clean the product.

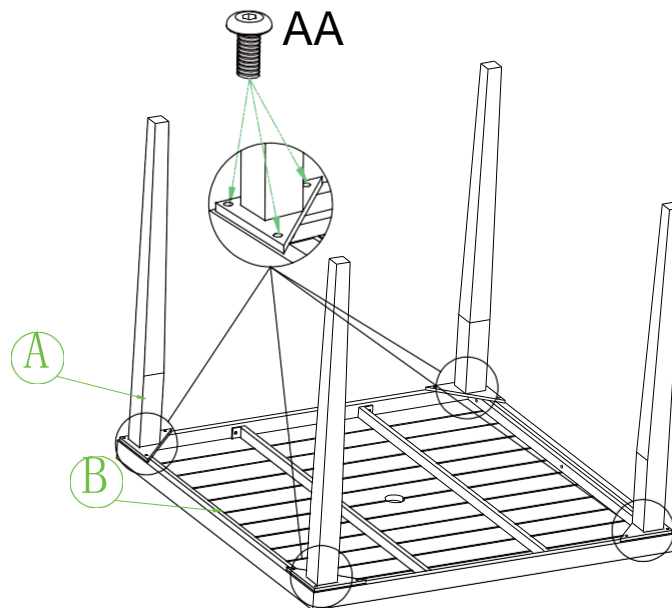
Assemble the product as shown below, step-by-step.

Part List

NO.	SKETCH	DESCRIPTION	QTY	NO.	SKETCH	DESCRIPTION	QTY
A		Leg	4	AA		Bolt (M6*20)	12
B		Table Top	1	BB		Wrench	1
C		Foot Glider	4				

STEP 1

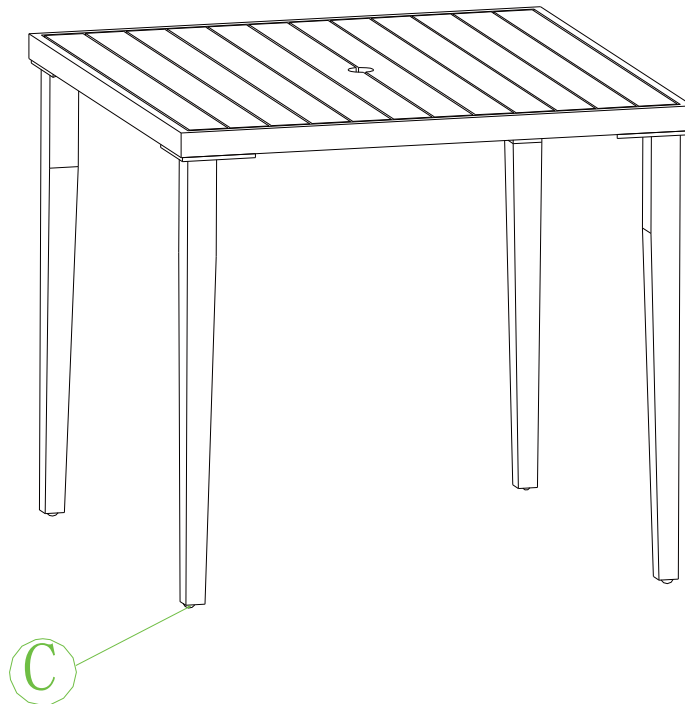
Hand Tighten Nut 3-4 Revolutions Only, After Attached All The Bolts, Adjust All The Part At Correct Position, Then Tighten All The Bolt And Nut. Do Not Over Tighten.



GL2AQ-42427-145
Made in China

STEP 2

Need two people turn the table right side up. Adjust the pre-installed foot glider(C) at the end of each table leg until the table is level with the ground Securely, Your table is ready for use.



*DO NOT OVER TIGHTEN

*NO SOCKET DRIVERS



*NO POWER TOOLS

