

**Dear Customer!** ✓

# “STERN” Single/Double Ext. Table

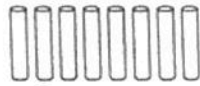
Congratulations with the purchase of this Solid Teak-wood Single/Double Extension Table!

To assemble this Table, you will need only 1 medium Hammer + LARGE straight screwdriver.

Please unpack the carton and check if you have the following components:



6x Bolts (set)



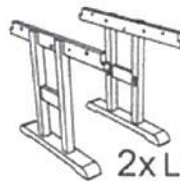
8X dowels



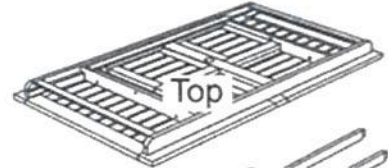
1x Glue



Umbrella-sleeve cover



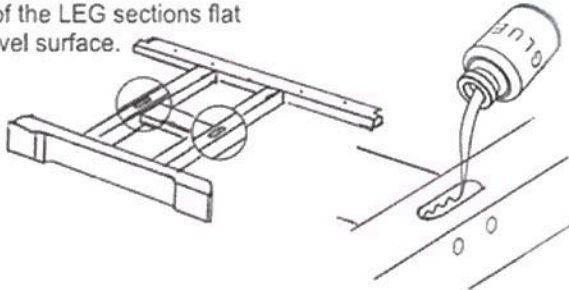
2x Legs



2x Rails

## Step 1

Lay 1 of the LEG sections flat on a level surface.

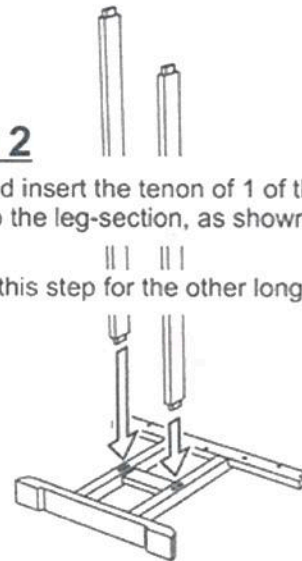


Open the small bottle with glue and apply some glue in a zig-zag pattern on THE SIDES of the 2 mortised holes.

## Step 2

Align and insert the tenon of 1 of the long rails into the leg-section, as shown.

Repeat this step for the other long rail.

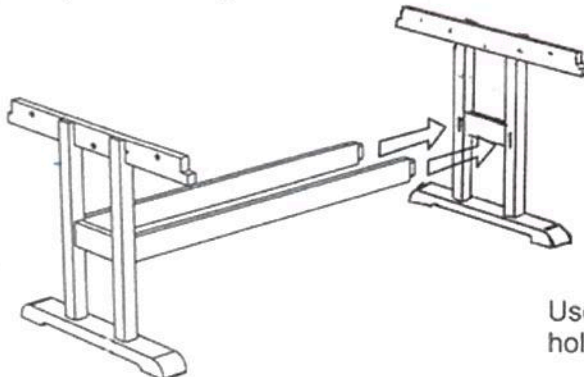


*Wipe any excessive glue with a moist cloth!*

## Step 3

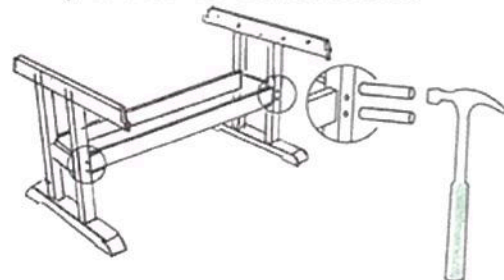
Repeat step-1 for other leg section. Align the other leg-section on top of the 2 long rails. Ensure the 2 tenons are aligned to their mortised holes, as shown.

*Wipe any excessive glue with a moist cloth.*



## Step 4

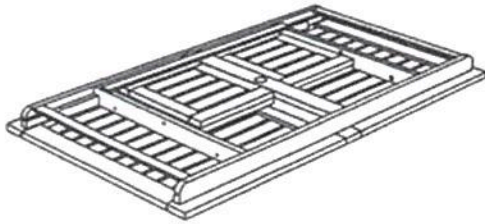
Position the now assembled leg-section carefully back on its feet, as shown.



Use the hammer to tap 2 dowels into the pre-drilled holes at the ends of the rails. Total 8 dowels.

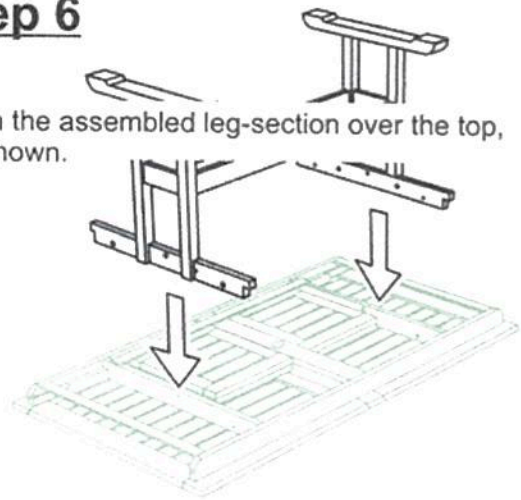
## Step 5

Lay the TOP on a level surface, bottom facing upward, as shown.



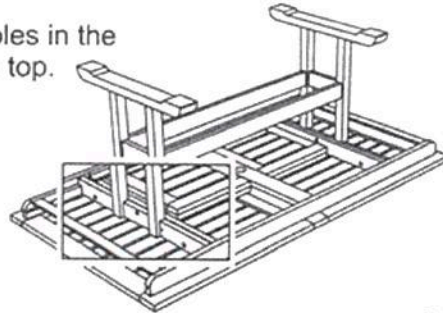
## Step 6

Align the assembled leg-section over the top, as shown.

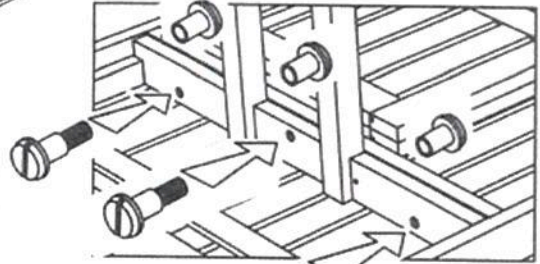


## Step 7

Locate the 3 pre-drilled holes in the cross-rails under the table top.

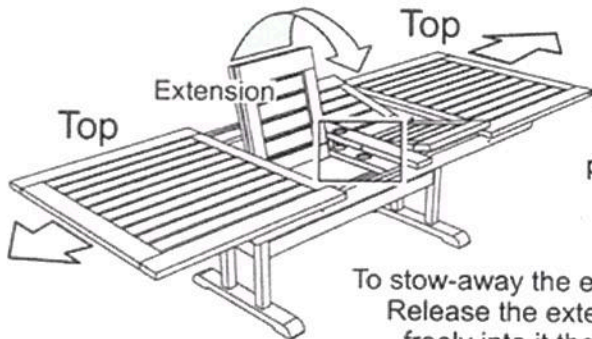


Un-screw the bolts and insert the bolt-section through the rails of the leg-section and the nut-section from the inside of the table-top section, as shown.



**Use the screw driver to tighten these bolts firmly!**

Repeat above step for the other side, total 6 bolt-sets.



To open the extension(s), slide table top(s) open. Raise extension and swivel the extension out of its storage position. Slide the table top(s) back and ensure that the joint(s) of top and extension(s) are closed.

To stow-away the extension(s), slide table top(s) open until the stopper(s). Release the extension(s) from their locking-pins so that they can swivel freely into their storage compartment. Slide table top(s) back to their closed-position.

## Step 8

## Step 9

Unpack the cover for the umbrella sleeve and insert the cover on the pre-fitted sleeve in the center of the table top.



*This table comes with a storage compartment for the COVER of the umbrella hole, when not in use.*

**Re-tighten all hardware after 2 weeks of use!**

**“STERN”** Single/Double Ext. Table