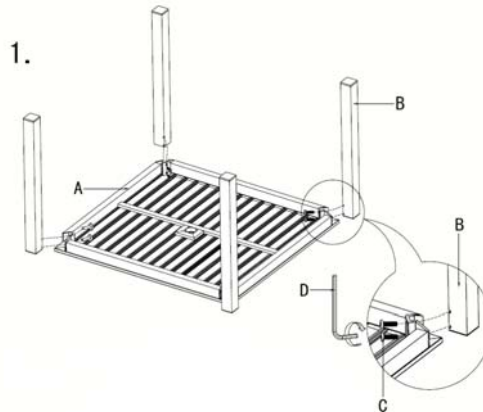


Thanks for purchasing this quality product. Be sure to check all packing materials carefully for small parts, which may have come loose inside the carton during shipment. Identify and count all parts and compare with the Hardware List below

Step 1: Place the Table Top (Part A) on a clean, soft surface as a blanket or carpet. Assemble the table base (Part B) to the Table Top by Bolt (Part C) and loosely tightening with Allen key (Part D)




Step 2: After assembly, your product is ready for use.



PARTS LIST

NO.:	PIC	DESC	QTY
A		Table Top	1pc
B		Table Base	4pcs

PARTS LIST

NO.:	PIC	DESC	QTY
C		Bolts	8pcs
D		Allen Key	1pcs

Periodically check and make sure all bolts are fully tightened.