

"Ocean" Arm Chair sling

DEAR CUSTOMER,

Congratulations on your purchase of this Solid Teak Chair!

To assemble this chair, you need 1 *medium hammer* + 1 *Phillips-screwdriver*.

Please unpack the carton and check that you have all components listed.

IMPORTANT: Please ensure all color coded components match up to each other in order to correctly build the furniture.



LIST OF COMPONENTS:



10 x Dowels



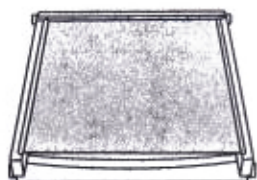
2 x Bolts



4 x Stainless
Screw



1 x Backrest



1 x Seat

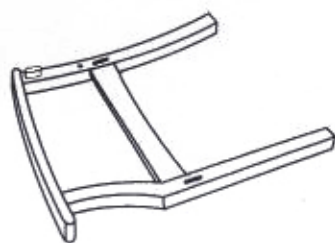


1 x Left Leg



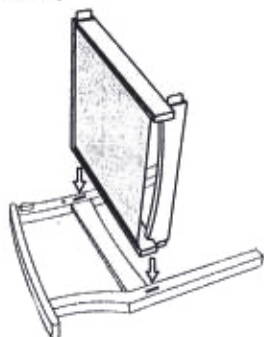
1 x Right Leg

STEP 1/7



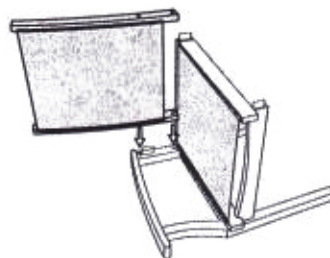
Lay **Left Leg** section flat on level surface.

STEP 2/7



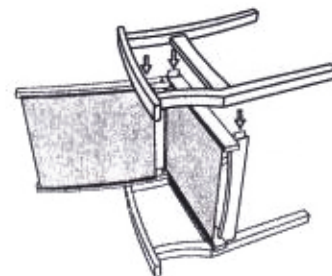
Insert **Seat**.

STEP 3/7



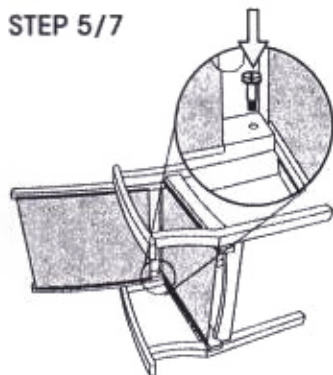
Insert **Backrest** into the leg section.

STEP 4/7



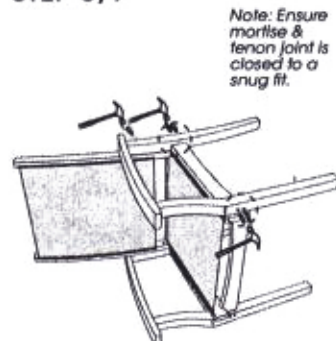
Position and align **Right Leg** section into the seat and backrest.

STEP 5/7



Insert and tighten **Bolt** into the backrest section. Repeat step for the other side.

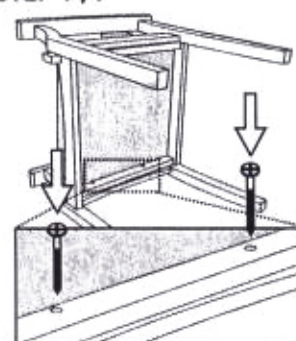
STEP 6/7



Insert 5 **Dowels** and use the hammer to tap them completely into the holes. Repeat step for the other side.

Note: Ensure mortise & tenon joint is closed to a snug fit.

STEP 7/7



Screw **Stainless Screw** in the metal clipper under the seat. Repeat step for the other side.

Congratulations, you have just finished building your own Solid Teak Chair!