



Assembly Instructions
PALOMA 65" RECTANGULAR BALCONY TABLE
WITH UMBRELLA HOLE
Sku # 76109872

Manufactured By NHKL For Rooms To Go

Version 1.0 8/2025



Assembly Instructions
PALOMA 65" RECTANGULAR BALCONY TABLE
WITH UMBRELLA HOLE
Sku # 76109872

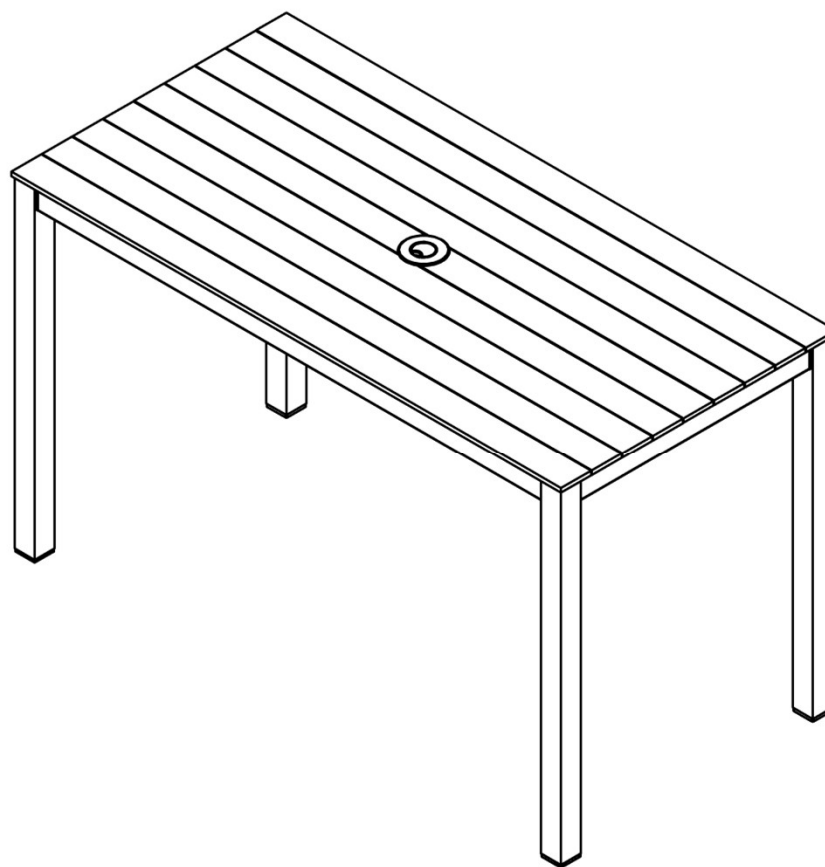
Manufactured By NHKL For Rooms To Go

Version 1.0 8/2025

IMPORTANT:

To avoid damage to your table: An umbrella base must be used at all times.

- If applicable, make sure the plastic umbrella safety ring is installed in the center of the table before you insert the umbrella pole through the table.
- Remove umbrella from the table when not in use or in the event of wind, rain, hail, sleet, snow or any other inclement weather.
- In storing patio furniture, do not stack anything on glass, stone or marble table tops.
- Before storing, drain all water that may have accumulated in or around table frame. If not drained properly, water can cause freeze damage.
- Cover furniture with outdoor furniture covers when not in use.
- For safety reasons, do not sit or stand on the table.



Hardware Pack Location(s):
PALOMA 65" RECT BALC/TBL W/HOLE, Sku # 76109872

Hardware Pack Location(s):
PALOMA 65" RECT BALC/TBL W/HOLE, Sku # 76109872

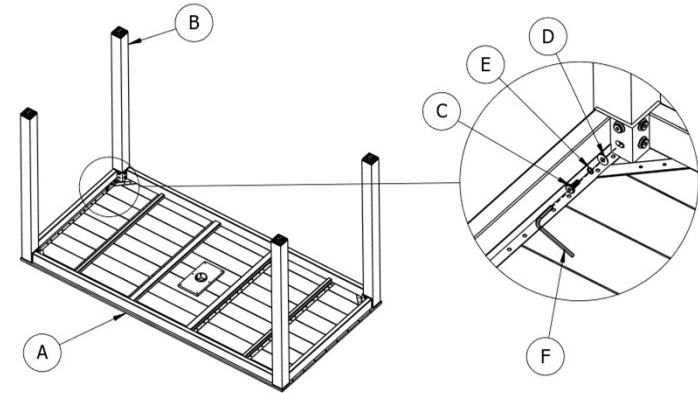
PARTS LIST

Symbol	Description	Sketch	Qty	Symbol	Description	Sketch	Qty
A	Table Top Assembly		1	F	Allen Key – 4MM		1
B	Table Legs		4	G	Table Umbrella Hole Hardware		1
C	Bolt – M6 X 15		16	G1			1
D	Washer – M6 X 16		16	G2			1
E	SPRING WASHER M6		16	G3		1	

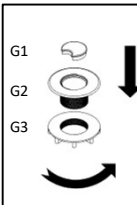
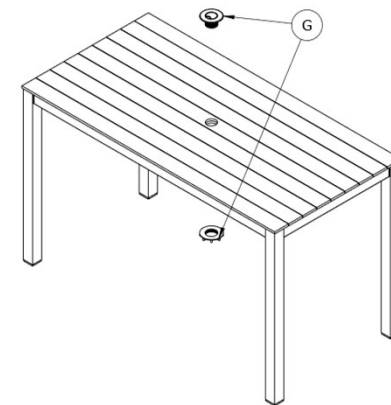
***Caution: Please read all instructions carefully before starting the assembly process. These parts are cumbersome and heavy. Therefore, two people are highly recommended for the assembling process in order to prevent personal injury and ensure the parts are not damaged during the assembly.

Hardware Pack Location(s):
 PALOMA 65" RECT BALC/TBL W/HOLE, Sku # 76109872

STEP 1: Install Table Legs (B) onto Table Top (A) using the 16x Washer - M6 X 16 (D), 16x SPRING WASHER M6 (E) & 16x Bolt – M6 X 15 (C) with Allen Key – 4MM (F) but don't fully tighten bolts. Please make sure all bolts can be screwed in smoothly and not cross threaded then fully tighten all bolts.



STEP 2: Carefully flip the product over and install the table umbrella hole hardware (G) by starting with placing top sleeve (G3) into the table top hole, then screw bottom nut (G2) onto the threaded part of G3. Finally install the hole cap (G1) and enjoy the product!



Hardware Pack Location(s):
 PALOMA 65" RECT BALC/TBL W/HOLE, Sku # 76109872