

## Assembly Instructions

Identify all parts packed in the carton against the parts list. Remove all protective materials. Place parts on a non-abrasive surface to avoid scratching.

**Do Not Attempt Assembly If Any Parts Are Missing Or Damaged.**

Warning: Please do not use acid or alkaline washing liquid to clean the product.

Assemble the product as shown below, step-by-step.

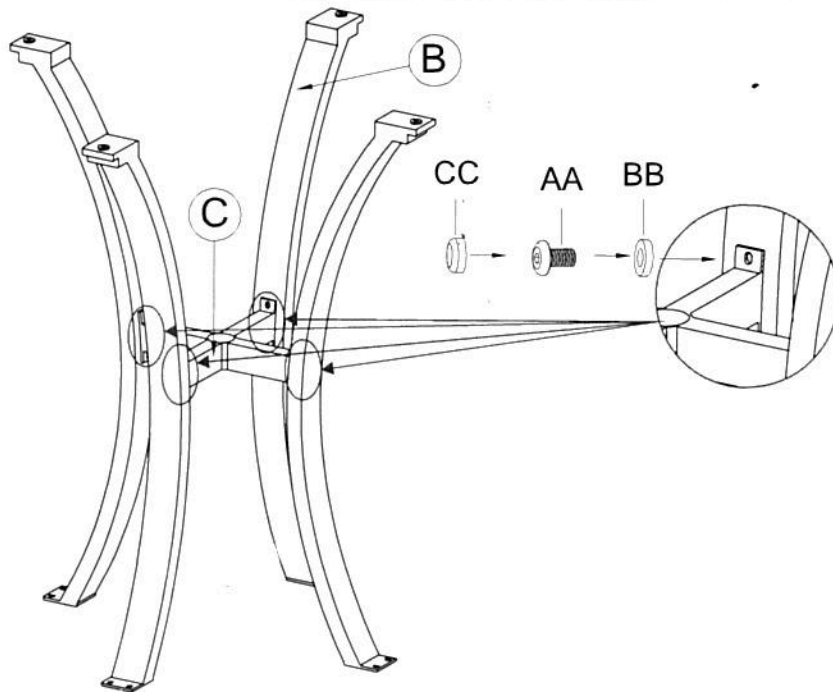
### Part List

NO.	SKETCH	DESCRIPTION	QTY	NO.	SKETCH	DESCRIPTION	QTY
A		Table Top	1	AA		Bolt (M6*20)	16
B		Leg	4	BB		Steel Washer (Φ14*Φ6.5*1.5)	16
C		Cross support frame	1	CC		Bolt cap	16
D		Foot Glider	4	DD		Wrench	1

## STEP 1

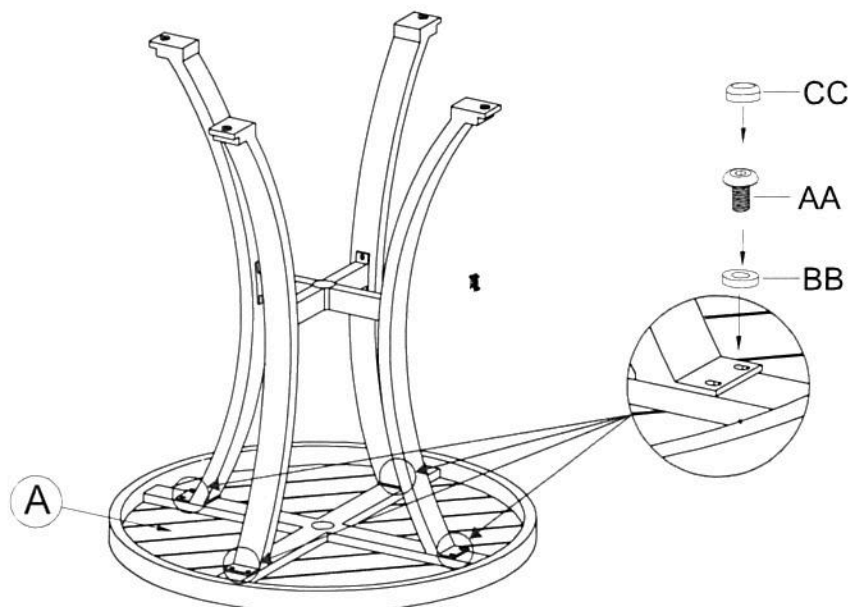
Assemble the cross support frame (C) to the four legs using eight steel washers (BB), eight bolts M6x20mm (AA) and eight bolt caps (CC). Do not tighten the hardware completely until all the spare parts have been assembled.

NOTE: The cross support frame must be installed with drip holes facing down.



## STEP 2

Assemble the leg assembly made in previous step to table top (A) using eight steel washers (BB), eight bolts M6x20mm (AA) and eight bolt caps (CC).



# STEP 3

