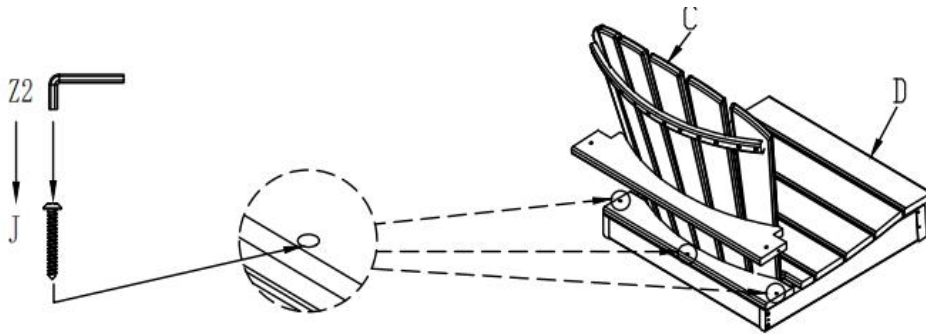


Thanks for purchasing this quality product. Be sure to check all packing materials carefully for small parts, which may have come loose inside the carton during shipment. Identify and count all parts and compare with the Hardware List below

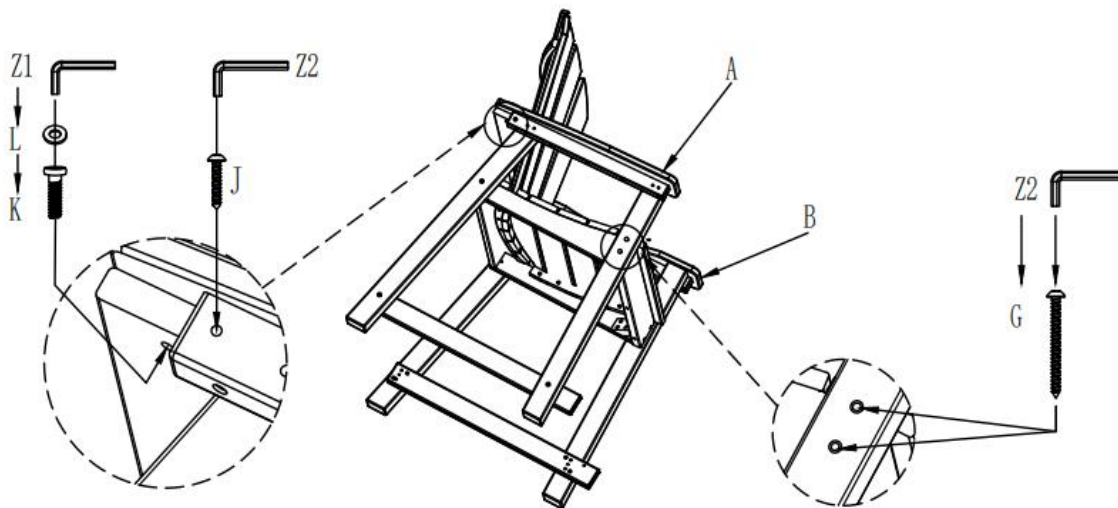
**Caution: Loosely pre-assemble all the bolts first. Do not fully turn until all bolts are inserted into the proper holes.**



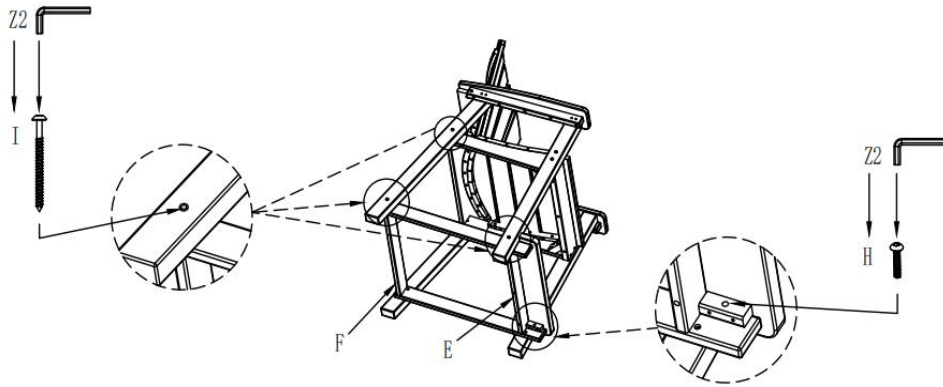
Step 1: Place the Seat(Part D) on a clean, soft surface as a blanket or carpet. Assemble the Back(Part C) to the Seat by Bolt(M6\*45)(Part J), tighten with Allen Key(Part Z2).



Step 2: Assemble the Right/Left Armrest with Leg(Part A&B) to the Back by Bolt(Part K&J) and Washer(Part L), to the Seat by Bolt(Part G), and tighten with Allen Key(Part Z1&Z2).



Step 3: Assemble the back leg to the Seat by Bolt(Part I), tighten with Allen Key (Part Z), assemble the Front/Back footrest(Part E&F) to the legs by Bolt(Part I & H), tighten with Allen Key(Part Z2).



Step 4: After tightening all bolts, your product is ready for use.



PARTS LIST

NO.:	PIC	DESC	QTY
A		Right Armrest with Legs	1pc
B		Left Armrest with Legs	1pc
C		Back	1pc
D		Seat	1pc
E		Front Footrest	1pc
F		Back footrest	1pc
G		Bolt(M6*65)	4pcs

PARTS LIST

NO.:	PIC	DESC	QTY
H	 M6*30	Bolt with round head(M6*30)	2pcs
I	 M6*85	Bolt(M6*85)	6pcs
J	 M6*45	Bolt(M6*45)	5pcs
K	 M6*33	Bolt with flat head(M6*33)	2pcs
L		Washer	2pcs
Z1	 M4	Allen Key(M4)	1pc
Z2	 M5	Allen Key(M5)	1pc

Periodically check and make sure all bolts are fully tightened.