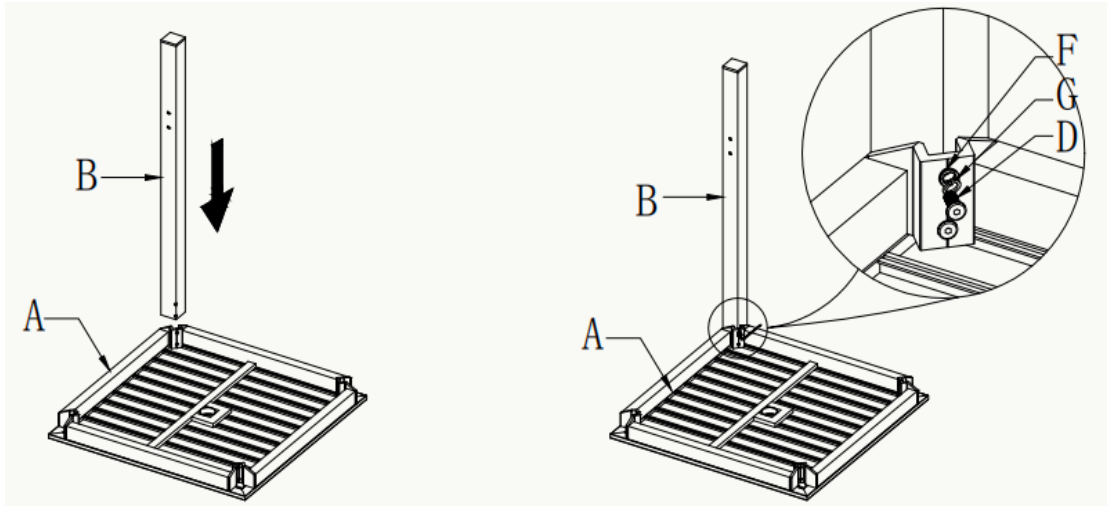
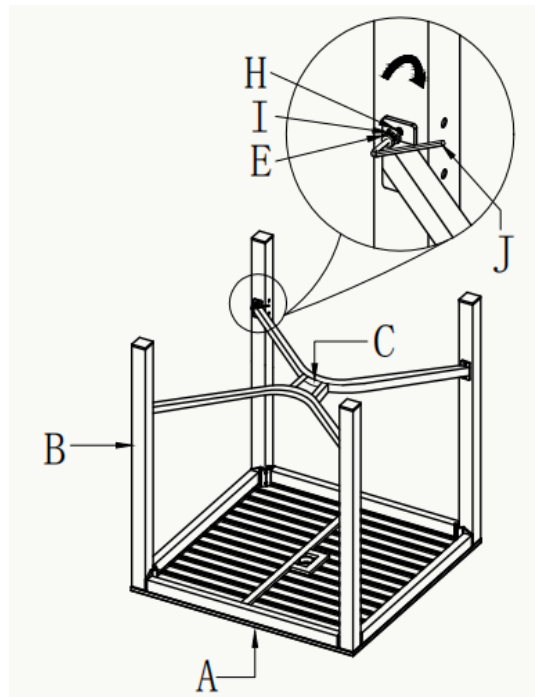


Thanks for purchasing this quality product. Be sure to check all packing materials carefully for small parts, which may have come loose inside the carton during shipment. Identify and count all parts and compare with the Hardware List below

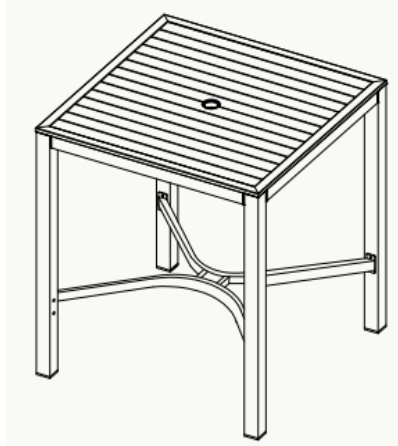
Step 1: Place the Table Top (Part A) on a clean, soft surface as a blanket or carpet. Assemble the Table Base (Part B) to the Table Top by Bolt (M8*65) (Part D) and Plastic Washer (∅16*∅8.5*1) (Part F) and Washer (∅15*8.5*2) (Part G) and loosely tightening with Allen key (Part J).



Step 2: Place the Table Top (Part A) on a clean, soft surface as a blanket or carpet. Assemble the Middle Frame (Part C) to the Table Base by Bolt (M6*20) (Part E) and Plastic Washer (∅16*∅6.5*1) (Part H) and Washer (∅15*6.5*2) (Part I) and loosely tightening with Allen key (Part J).











Step 3:After assembly, your product is ready for use.



PARTS LIST

PARTS LIST

NO.:	PIC	DESC	QTY
A		Table Top	1pc
C		Middle Frame	1pc
E		Bolt(M6*20)	8pcs
G	 ø15*8.5*2	Washer(ø15*8.5*2)	8pcs
I	 ø15*6.5*2	Washer(ø15*6.5*2)	8pcs

NO.:	PIC	DESC	QTY
B		Table Base	4pcs
D		Bolt(M8*65)	8pcs
F	 ø16*ø8.5*1	Plastic Washer(ø16*ø8.5*1)	8pcs
H	 ø16*ø6.5*1	Plastic Washer(ø16*ø6.5*1)	8pcs
J		Allen Key	1pc

Periodically check and make sure all bolts are fully tightened.