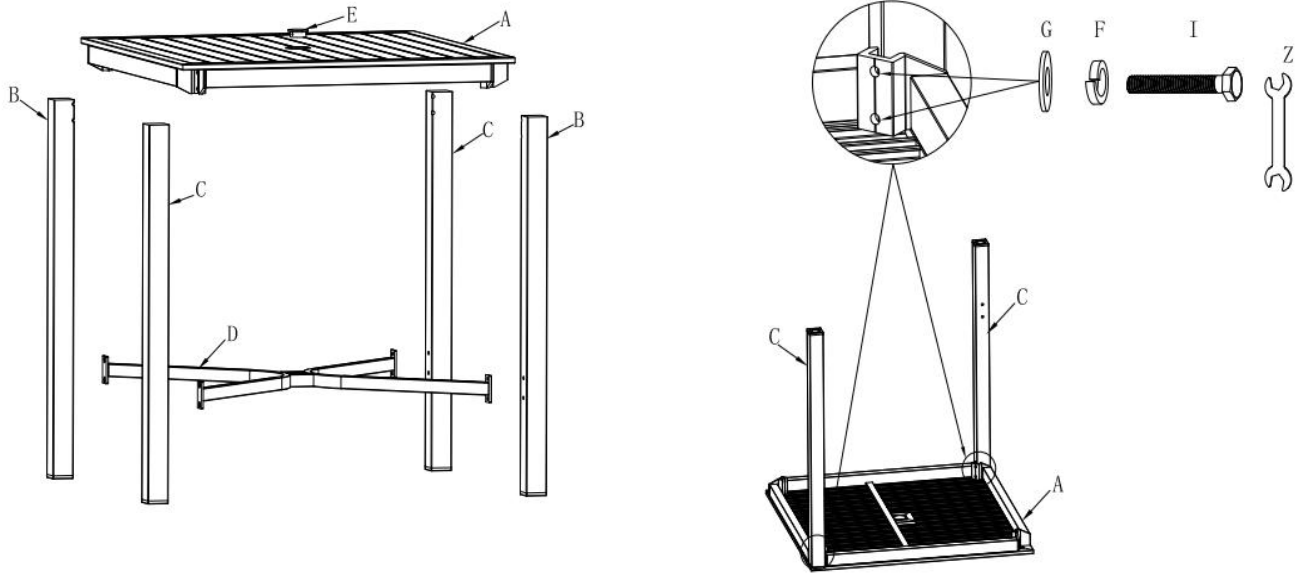


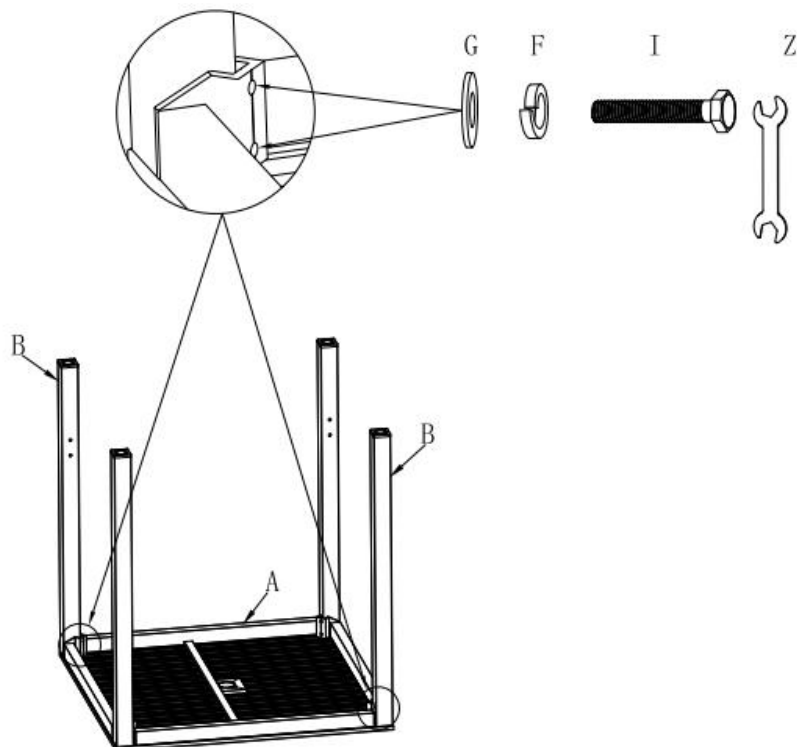


Thanks for purchasing this quality product. Be sure to check all packing materials carefully for small parts, which may have come loose inside the carton during shipment. Identify and count all parts and compare with the Hardware List below

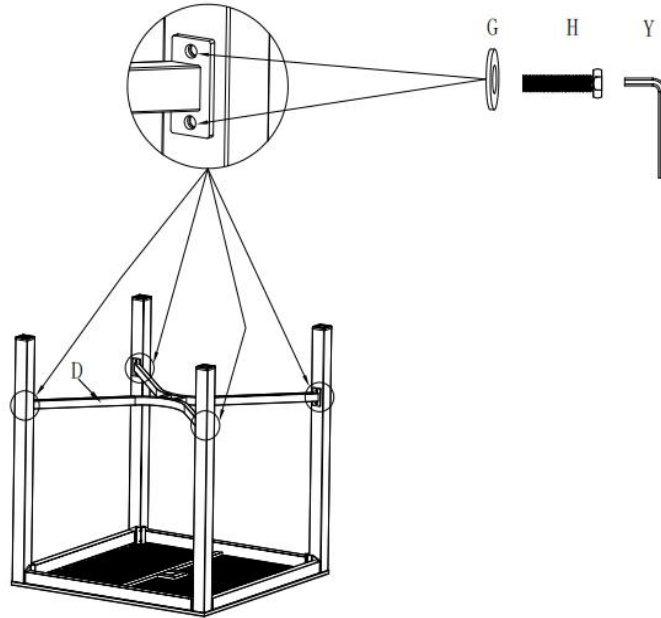
Step 1: Place the Table Top (Part A) on a clean, soft surface as a blanket or carpet. Assemble the Table Leg(Part C) to the Table Top by Bolt(M8*45)(Part I) and Lock Washer(Part F) and Flat Washer(Part G), tighten with Spanner (Part Z).



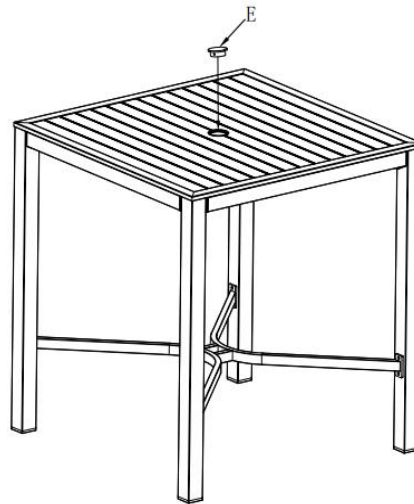
Step 2: Assemble Table Leg(Part B) to the Table Top by Bolt(M8*45)(Part I) and Lock Washer(Part F) and Flat Washer(Part G), tighten with Spanner (Part Z).








Step 3: Assemble Center Frame Support(Part D) to the Table Leg by Bolt(M6*25)(Part H) and Flat Washer(Part G), tighten with Allen Key (Part Y).









Step 4: After assembly, your product is ready for use.



PARTS LIST

NO.:	PIC	DESC	QTY
A		Table Top	1pc
B		Table Leg 1	2pcs
C		Table Leg 2	2pcs
D		Center Frame Support	1pc
E		Center Hole Cover	1pc

PARTS LIST

NO.:	PIC	DESC	QTY
F		Lock Washer	8pcs
G		Flat Washer	16pcs
H		Bolt(M6*25)	8pcs
I		Bolt(M8*45)	8pcs
Y		Allen Key	1pc
Z		Spanner	1pc

Periodically check and make sure all bolts are fully tightened.