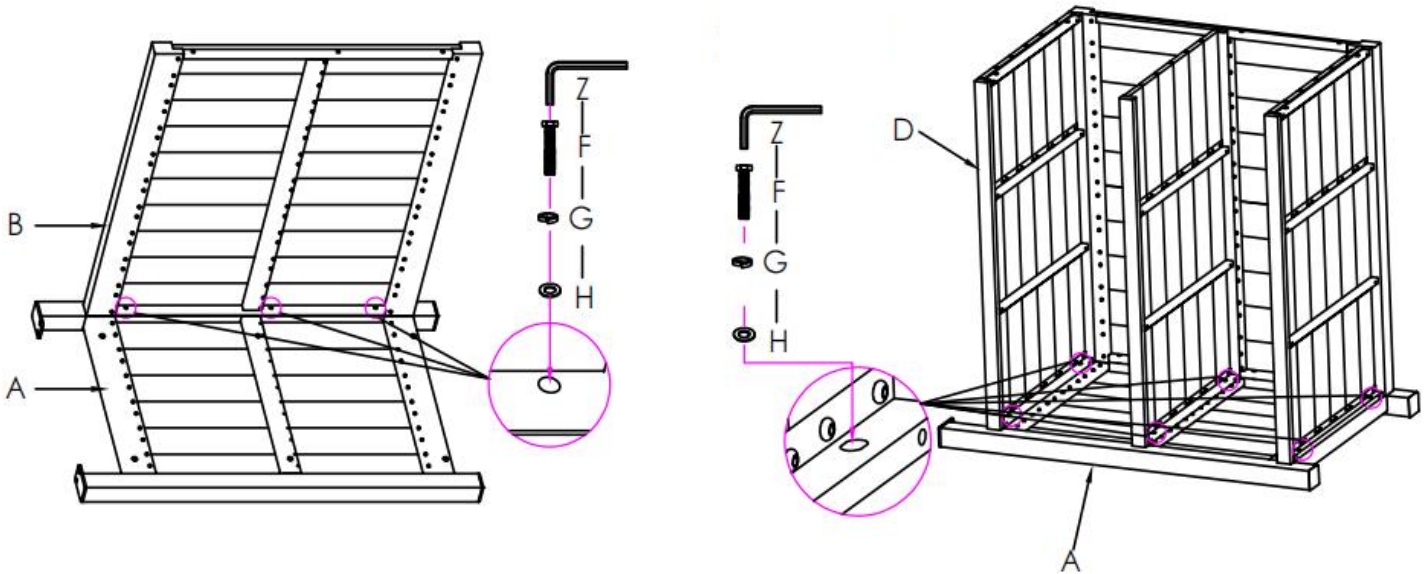


Thanks for purchasing this quality product. Be sure to check all packing materials carefully for small parts, which may have come loose inside the carton during shipment. Identify and count all parts and compare with the Hardware List below

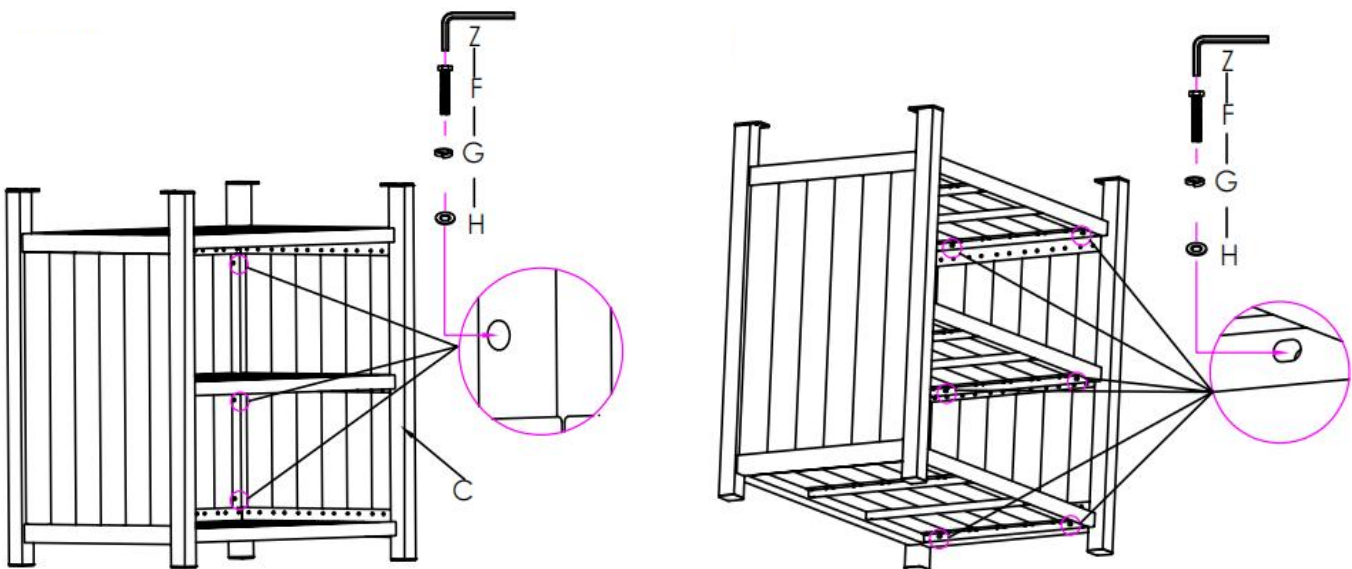
**Caution: Loosely pre-assemble all the bolts first. Do not fully turn until all bolts are inserted into the proper holes.**



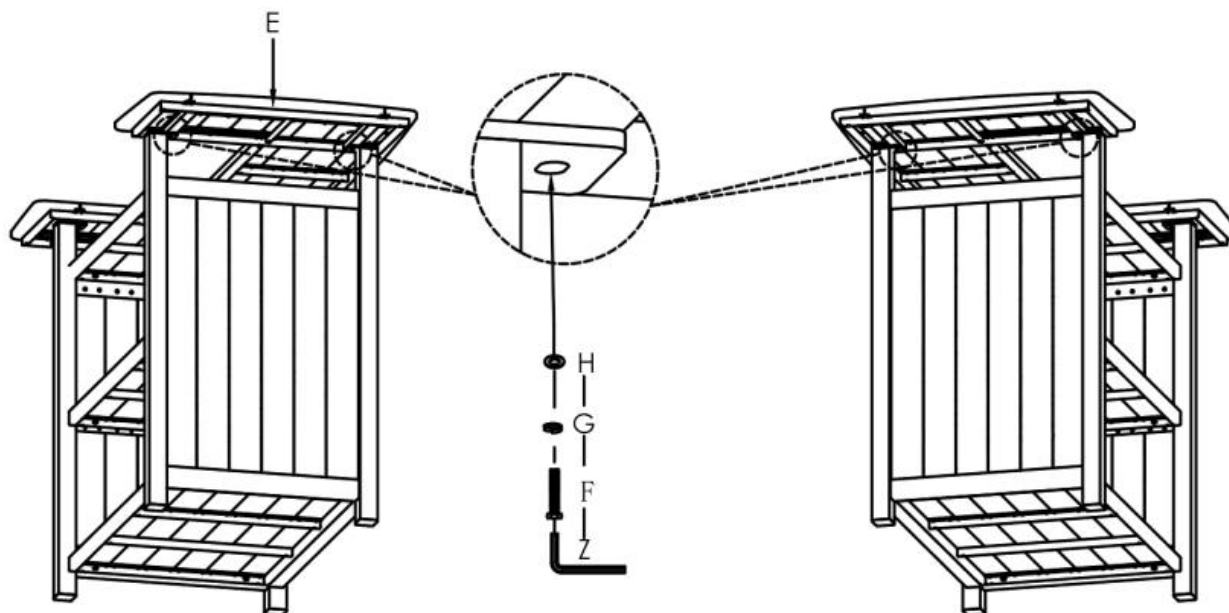
Step 1: Place the Left Side Panel(Part A) on a clean, soft surface as a blanket or carpet. Assemble the Front Panel(Part B) to the Left Side Panel by Bolt(M6\*30)(Part F) and Washer (Part G&H), tighten with Allen Key (Part Z). Assemble the Shelf(Part D) to the Left Side Panel by Bolt(M6\*30)(Part F) and Washer (Part G&H), tighten with Allen Key (Part Z).



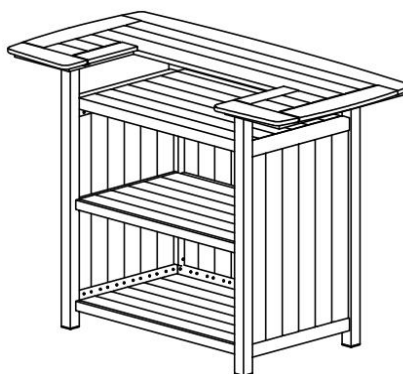
Step 2: Assemble the Right Side Panel(Part C) to the Base by Bolt(M6\*30)(Part F) and Washer (Part G&H), tighten with Allen Key (Part Z).







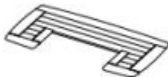
Step 3: Assemble the Table top(Part E) to the Table base by Bolt(M6\*30)(Part F) and Washer (Part G&H), tighten with Allen Key (Part Z).







Step 4: After tightening all bolts, your product is ready for use.



PARTS LIST

NO.:	PIC	DESC	QTY
A		Left Side Panel	1pc
B		Front Panel	1pc
C		Right Side Panel	1pc
D		Shelf	3pcs
E		Table Top	1pc

PARTS LIST

NO.:	PIC	DESC	QTY
F		Bolt(M6*30)	22pcs
G		Lock Washer	22pcs
H		Flat Washer	22pcs
Z		Allen key	1pc

Periodically check and make sure all bolts are fully tightened.