

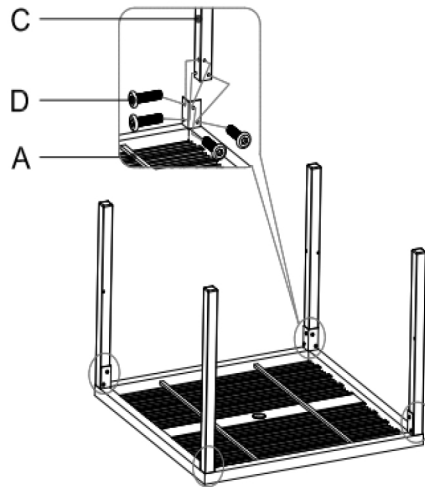
Manufactured for Room to Go

ASSEMBLY INSTRUCTIONS

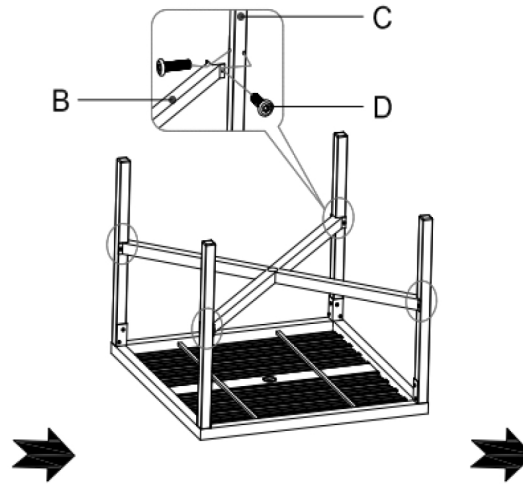
EXGM SUN VALLEY SQUARE BAR TABLE
SKU#76417015

EXGM RIALTO SQUARE BAR TABLE
SKU#76400387

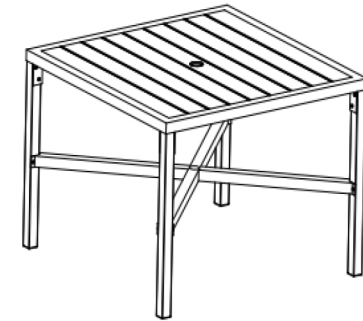
Step 1: Place the Table Top (Part A) on a clean, soft surface. Assemble the Legs (Part C) to the Table Top by Screws (Part D) and loosely tightening with the Allen Key.




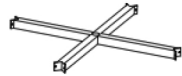

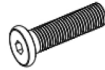

Step 2: Assemble the Cross Bar (Part B) between Legs by Screws (Part D) and loosely tightening with the Allen Key.



Step 3: After assembly, your product is ready for use.



PARTS LIST

NO.	A	B	C	D	E
DESC	Table Top	Cross Bar	Leg	Screw (1/4-20*15)	Allen Key
PIC					
QTY	1pc	1pc	4pcs	24pcs	1pc