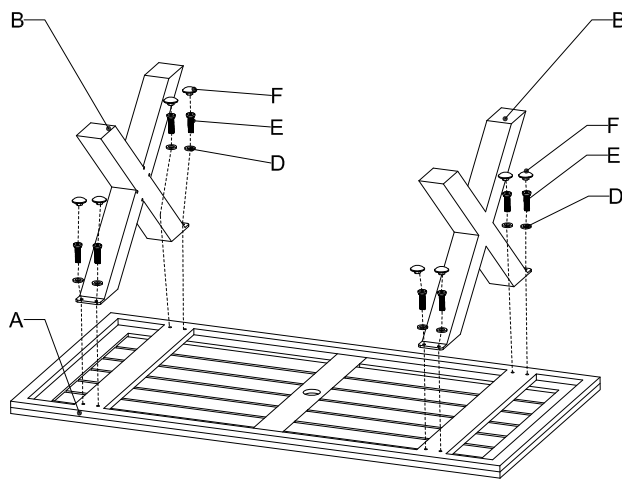


# ASSEMBLY INSTRUCTIONS

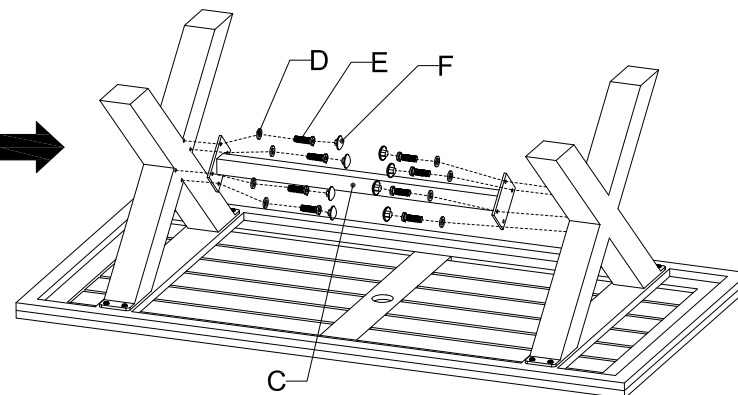
EXGM RIALTO REC. BAR TABLE/SUN VALLEY RECTANGLE BAR TABLE

SKU#76500389/76517017

**Step 1:** Place the Table Top (Part A) on a clean, soft surface. Assemble the Cross Leg (Part B) to the Table Top by Washer and Screw (Part D and E) and loosely tightening with the Allen Key.

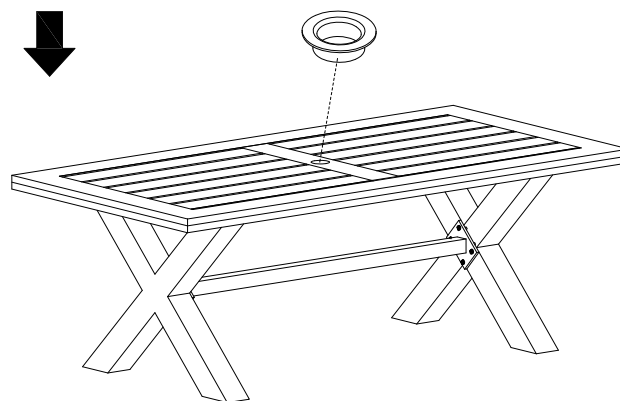


**Step 2:** Assemble the Support Bar (Part C) between Cross Leg by Washer & Screw (Part D and E) and loosely tightening with the Allen Key.

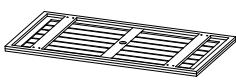
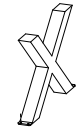








**Step 3:** After all screws have been assembled, fully tighten each one.

**Step 4:** Put the screw covers (F) on to cover the screw heads for a better look. Now your product is ready for use.



## PARTS LIST

NO.	A	B	C	D	E	F	G	H
DESC	Table Top	Cross Leg	Support Bar	Washer	Screw 1/4-20 x 25	Screw cover	Allen Key	Umbrella Hole Cover
PIC								
QTY	1pc	2pcs	1pc	16pcs	16pcs	16pcs	1pc	1pc

\*The umbrella hole cover is to be put in the umbrella hole when umbrella is not in use.