



# ROOMS TO GO PATIO™ ASSEMBLY INSTRUCTIONS

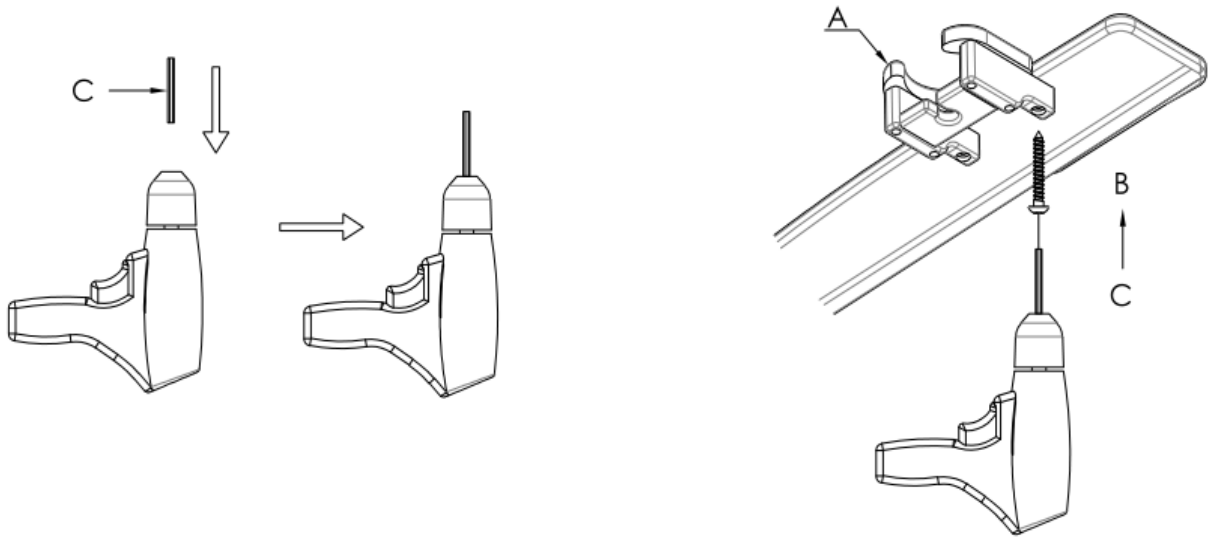
## SHGP CUP HOLDER

Manufactured by (SHGP) for Rooms To Go

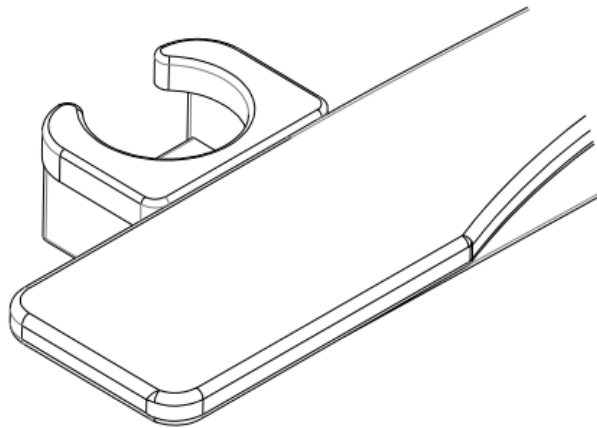
SKU 76834641/76834653/76834665/  
76834677/76834689/76834691/76834704

Thanks for purchasing this quality product. Be sure to check all packing materials carefully for small parts, which may have come loose inside the carton during shipment. Identify and count all parts and compare with the Hardware List below


Step 1: Place the Cup Holder on a clean, soft surface as a blanket or carpet. Insert the Allen key (Part C) to a power tool, assemble the Cup Holder to the Armrest by Bolt(M6\*38) (Part B) and tighten with power tool. Please note the power tool is not included in the hardware package.




Step 2: After tightening all bolts, your product is ready for use.



### PARTS LIST

NO.:	PIC	DESC	QTY
B		Bolt(M6*38)	2pcs

NO.:	PIC	DESC	QTY
C		Allen key	1pc

Periodically check and make sure all bolts are fully tightened.