

MLV

ASSEMBLY INSTRUCTION

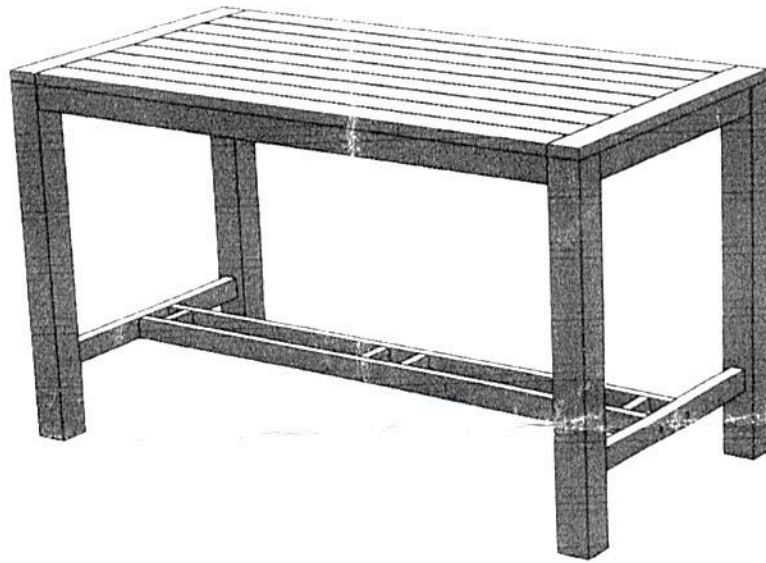
PALERMO 70" x 35" RECTA BAR TABLE

76474748

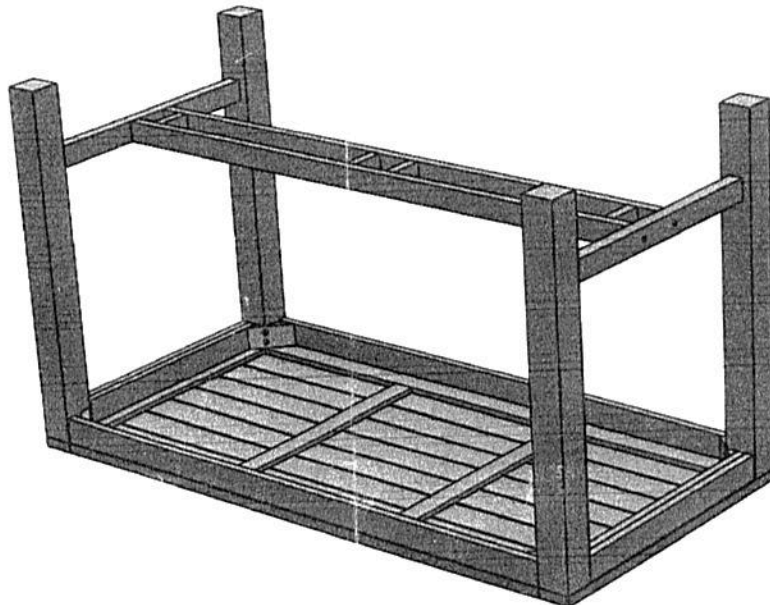
Important:

- Place all parts on a flat, clean and smooth surface to avoid them of being scratched.
- Kindly follow the Assembly Instruction step by step carefully.
- Do not tighten up the bolts or nuts until the table is fully set.

FULLY SET UP



PARTS OF THE TABLE

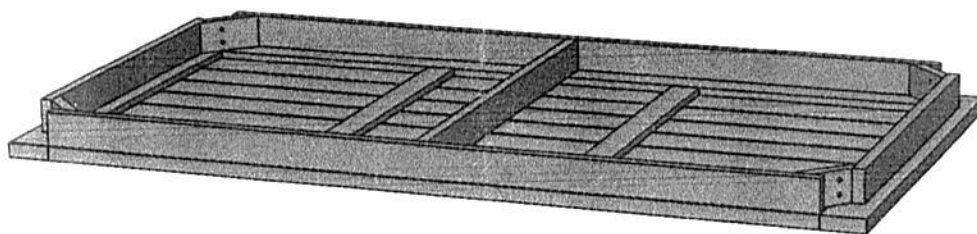


12X

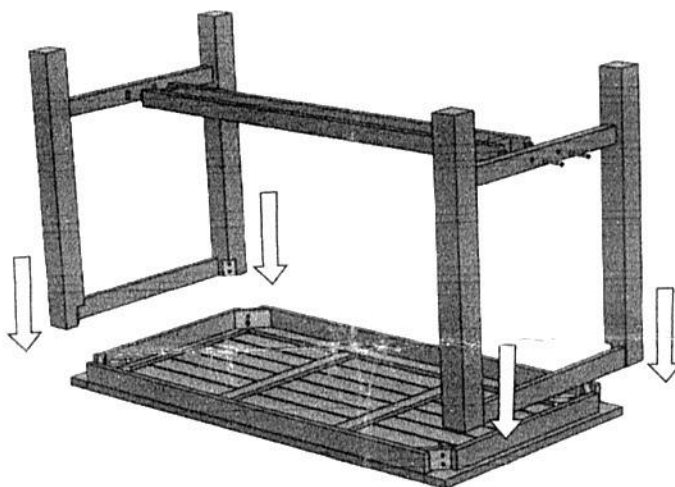


Bolt

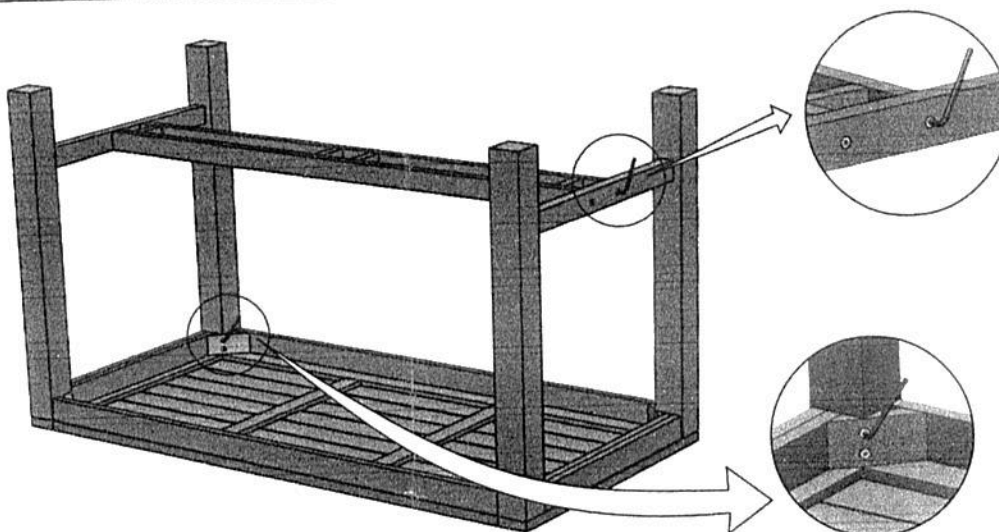
STEP 1



STEP 2



STEP 3



12X



Bolt