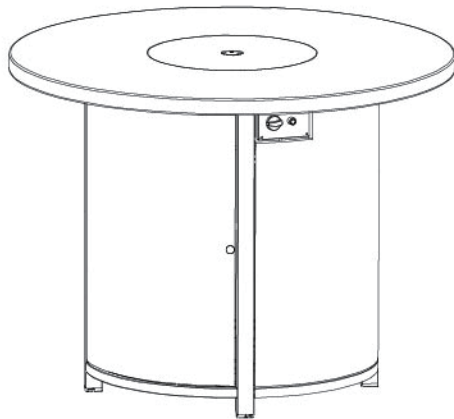


 | ROOMS TO GO PATIO™
Manufactured for Rooms to Go

MONTECELLO 52" FIRE PIT

SKU#79561532/79661534

JWUA GLAE-52-6100KD



Installer: Leave these instruction with consumer.
Consumer: Keep these instruction for further reference.

CARBON MONOXIDE HAZARD

This appliance can produce carbon monoxide which has no odor .

Using it in an enclosed space can kill you.

Never use this appliance in an enclosed space such as a camper, tent, car or home.

DANGER

If you smell gas:

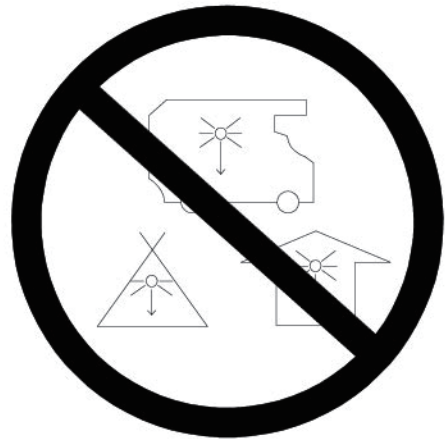
- 1.Shut off gas to appliance .
- 2.Extinguish any open flame.
- 3.If odor continues, keep away from the appliance and immediately call your gas supplier or fire department.


WARNING

Do not store or use gasoline, or other flammable vapors and liquids, in the vicinity of this or any other appliance. An LP-cylinder not connected for use shall not be stored in the vicinity of this or any other appliance.

WARNING: For Outdoor Use Only

 **WARNING**

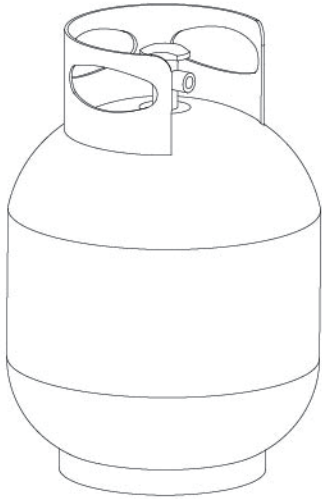


 **WARNING:** Improper installation, adjustment, alteration, service or maintenance can cause injury or property damage. Read the installation, operating, and maintenance instructions thoroughly before installing or servicing this equipment.

IMPORTANT SAFETY INFORMATION

- The appliance must be isolated from the gas supply piping system by closing its individual manual shutoff valve during any pressure testing of the gas supply piping system at test pressures equal to or less than 1/2 psi(3.5kpa).
- The maximum inlet gas supply pressure is 250 psi.
- The appliance area must be kept clear and free from combustible materials, gasoline, and other flammable vapors and liquids.
- Do not use this appliance if any part has been under water. Immediately call a qualified service technician to inspect the appliance and to replace any part of the control system and any gas control that has been under water.
- Children and adults should be alerted to the hazards of high surface temperatures and should stay away to avoid burns or clothing ignition.
- Young children should be carefully supervised when they are in the area of the appliance.
- Clothing or other flammable materials should not be hung from the appliance or placed on or near the appliance.
- Any guard or other protective device removed for servicing the appliance shall be replaced prior to operating the appliance.
- Installation and repair should be done by a qualified service person. The appliance should be inspected before use and at least annually by a qualified service person. More frequent cleaning may be required as necessary. It is imperative that the control compartment , burners, and circulating air passageways of the appliance are kept clean.
- **CAUTION** : The propane gas pressure regulator provided with this appliance must be used. This regulator is set for an outlet pressure of 11 inches water column.
- **DO NOT** burn solid fuels in this appliance.
- This outdoor gas appliance is for Outdoor Use **ONLY**.
- This outdoor gas appliance is not intended to be installed in or on recreational vehicles and/or boats
- This outdoor appliance is not for use on wood decks or other flammable surface.
- Before each use of this gas appliance, open the door and/or the LP (liquid Propane) tank Drawer and inspect the hose, If there is evidence of excessive abrasion or wear or if the hose is damaged,the hose assembly must be replaced prior to the appliance being put into operation.Use only the replacement assembly specified in this manual.Make sure to leak test.
- Before each use of this gas appliance, inspect the burner, the burner must be replaced prior to the appliance being put into operation if it is evident that the burner is damaged. Use only the replacement burner specified in this manual.
- Make sure to properly locate the gas hose including locating the hose out of pathways where people may tip over it or in areas where the hose may be subject to accidental damage.

- Keep the fuel supply hose away from any heated surface.
 - Never use this appliance closer than 10 feet from anything flammable , including houses or overhead tree branches.
 - Never use gasoline, kerosene, or any other liquid fuel to start a fire.
 - Always maintain a safe distance from the fire.
 - Always supervise children around the fire.
 - Never leave a fire unattended.
 - The appliance is hot during and after use , always allow ample cooling time before touching or moving.
-
- The LP-gas supply cylinder to be used must be constructed and marked in accordance with the U.S. Department of Transportation(DOT)Specifications for LP-Gas Cylinders, or the Standard for Cylinders, Spheres and Tubs for Transportation of Dangerous Goods and Commission, CAN/CSA-B339,as applicable.
 - The LP-gas supply cylinder to be used must have a listed overfilling prevention device(see Figure 1).
 - The LP-gas supply cylinder to be used must have a cylinder connection device compatible with the connection for the appliance.
 - A self contained LP-gas cylinder for use with this appliance must have a capacity of 20 lbs. cylinder(Height about 18 in, Tank Body about dia12 in, Base about dia8 in).
 - The cylinder supply system must be arranged for vapor withdrawal.
 - The cylinder used must include a collar to protect the cylinder valve.
 - This appliance shall be used only outdoors in a well-ventilated space and shall not be used in a building, garage or any other enclosed space.
 - When this appliance is not in use, the gas must be turned off at the supply cylinder.
 - Storage of this appliance indoors is permissible only if the cylinder is disconnected and removed from the Appliance.
 - Cylinders must be stored outdoors in a well-ventilated area out of the reach of children, Disconnected cylinders must have threaded valve plugs tightly installed and must not be stored in a building, garage or any other enclosed areas.



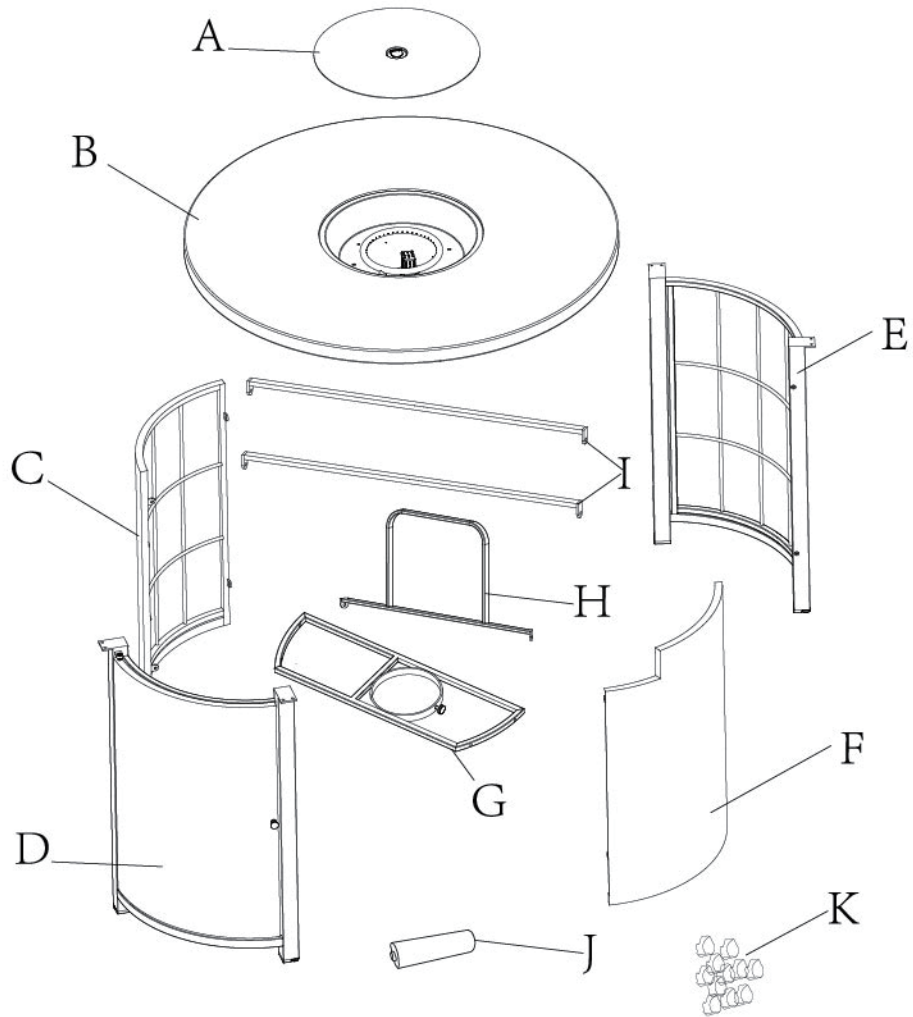
Standard 20lb.tank

Figure 1

SPECIFICATIONS

Rated Heat Input(Liquid Propane Natural Gas)	50,000BTU/hr
Propane Regulator Pressure	11 inches water column
Natural Gas inlet Pressure	7 inches water column
Clearance to combustible surfaces	Sides:24in.Top:51in.

- . Carefully unpack all parts from the box , compare parts with package content listed below, make sure all parts are present before beginning assembly of product. If any part is missing or damaged , do not attempt to assemble the product. Contact customer service for replacement parts.



Item	Description	Qty	Item	Description	Qty
A	Burner Lid	1	G	Metal Stand	1
B	Table Top	1	H	U stop lever	1
C	Left Side Panel	1	I	Stop lever	2
D	Door	1	J	"AA" Battery	1
E	Back Panel	1	K	Lava Glass <small>see warning below</small>	1box
F	Right side panel	1			

Item	Description	Qty
AA	Bolt (M6*20)	22
BB	Bolt (M6*30)	4
CC	Steel Washer (Ø 14*Ø6.5*1.5)	26
DD	Bolt cap (Ø12.5*Ø8.5*2)	26
EE	Allen key	1



WARNING

CHOKING HAZARD SMALL PARTS.

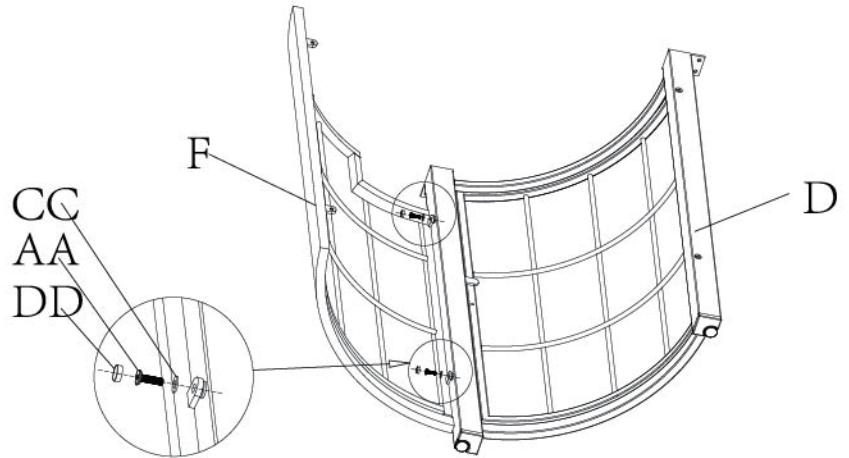
LAVA GLASS IS NOT INTENDED FOR USE BY CHILDREN.

THIS ITEM IS NOT A TOY KEEP OUT OF REACH OF BABIES AND SMALL CHILDREN.

OPERATION INSTRUCTIONS

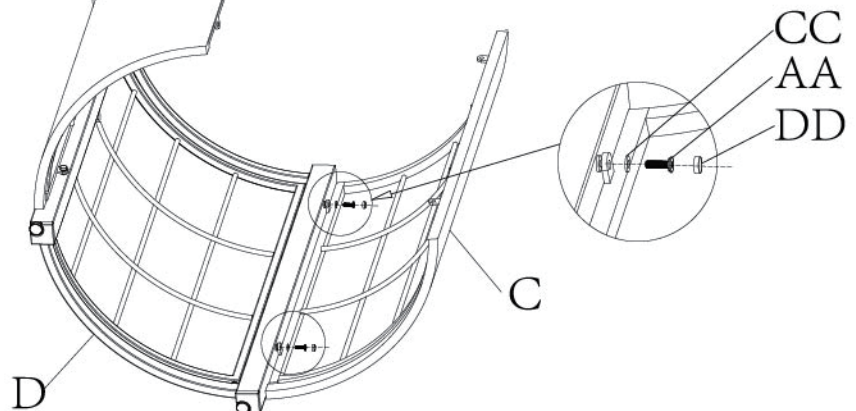
STEP 1

Attach the door (D) to the right side panel (F) using 2 M6x20mm bolts(AA), 2 steel washers(CC), 2 bolt caps(DD).



STEP 2

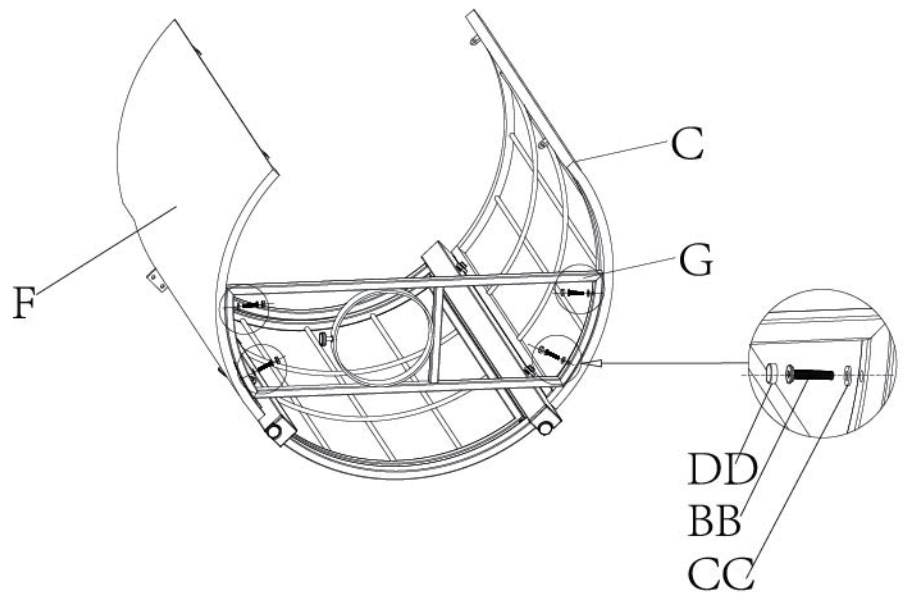
Attach the left side panel(C) to the door(D) using 2 M6x20mm bolts(AA), 2 steel washers(CC), 2 bolt caps(DD).



OPERATION INSTRUCTIONS

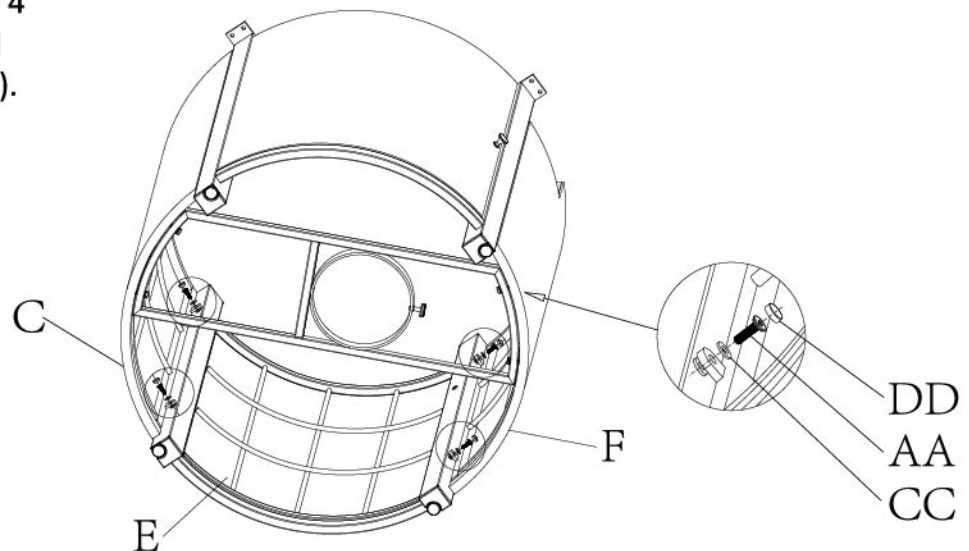
STEP 3

Attach the metal stand(G) on the bottom of the right side panel(F) and left side panel(C) using 4 M6x30mm bolts(BB), 4 steel washers(CC), 4 bolt caps(DD).



STEP 4

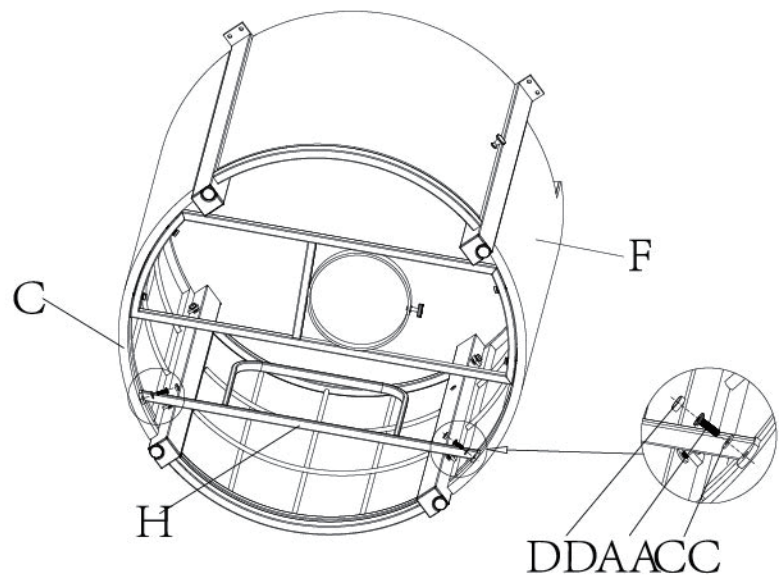
Assemble the back panel(E) between the left side panel(C) and right side panel(F) using 4 M6x20mm bolts(AA), 4 steel washers(CC), 4 bolt caps(DD).



OPERATION INSTRUCTIONS

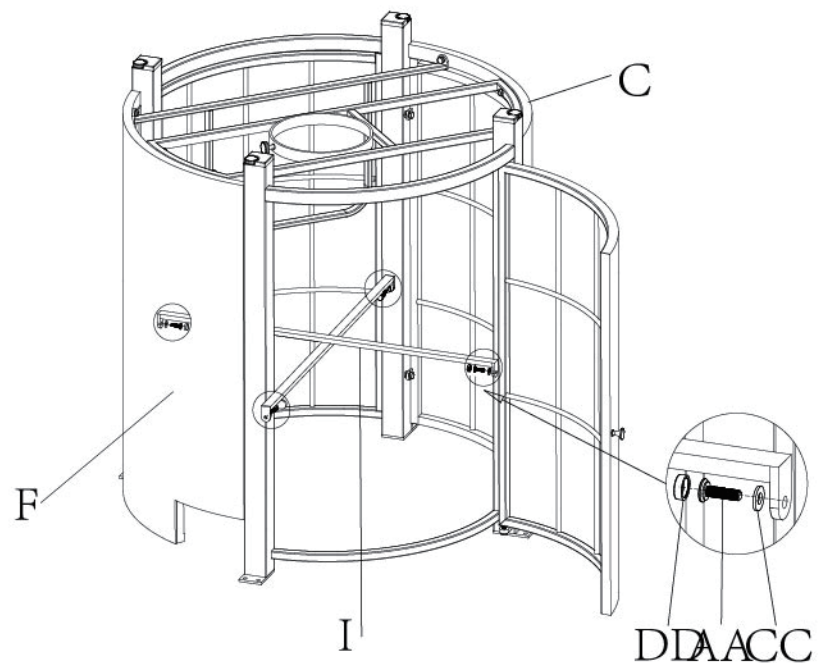
STEP 5

Assemble the U stop lever (H) between the right side panel (F) and left side panel (C) using 2 M6x20 bolts (AA), 2 steel washers (CC), 2 bolt caps (DD).



STEP 6

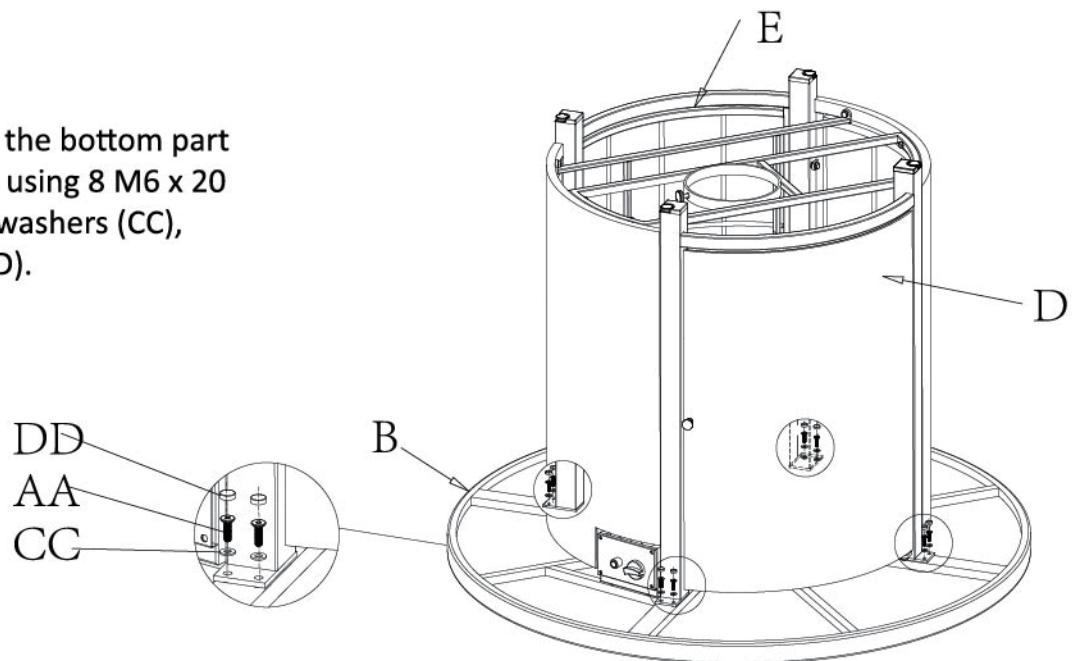
Assemble the 2 stop levers (I) between the right side panel (F) and left side panel (C) using 4 M6x20 bolts (AA), 4 steel washers (CC), 4 bolt caps (DD), the 2 stop levers (I) should cross each other.



OPERATION INSTRUCTIONS

STEP 7

Attach the base to the bottom part of the table top(B) using 8 M6 x 20 bolts (AA), 8 steel washers (CC), and 8 bolt caps (DD).



NOTE: DO NOT TIGHTEN THE BOLTS UNTIL ALL THE PARTS ASSEMBLED COMPLETELY.

METHOD OF USE

1. Put the lava glass (K) around the burner, and keep the guard on this burner free of lava glass at all times. A gas fire pit requires 22 lbs Fire glass .

WARNING: Keep children away during assembly, as this item contains lava glass (K), which are small pieces and can be swallowed by children.

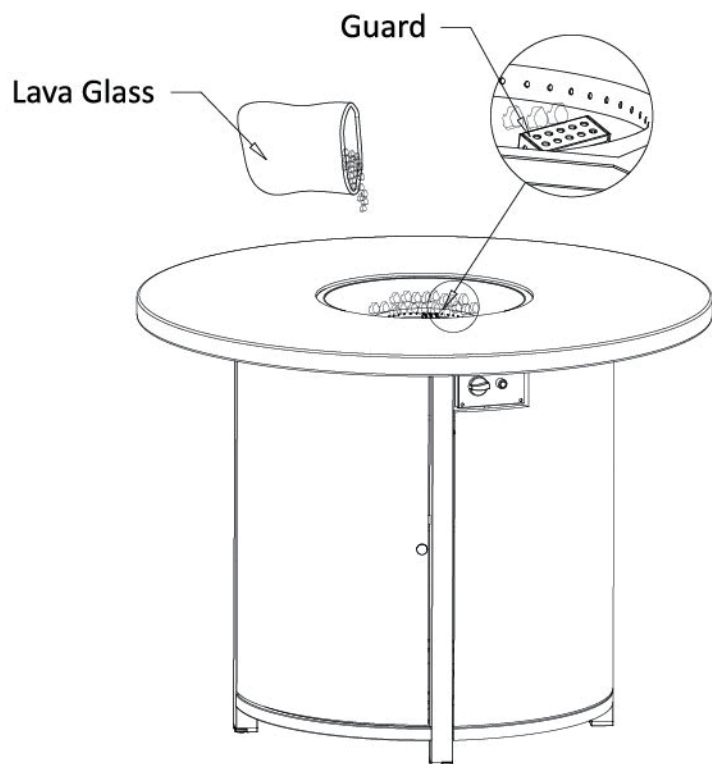


Figure 2

2. Cover the burner lid(A) on the fire bowl(see Figure 3).

NOTE: Do not cover the burner lid(A) when the fire pit is in use. Do not cover the burner lid(A) until the burner cool completely after using.

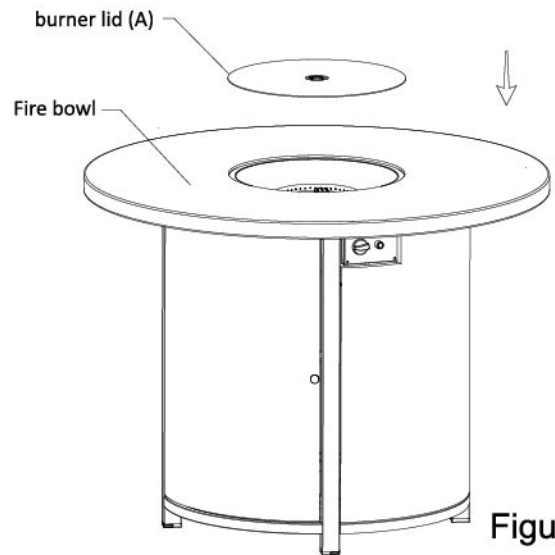


Figure 3

3. Open the door, place the gas cylinder into the metal stand(G), connect the regulator, screw the black handle clockwise to tighten, turn the black handle counterclockwise to remove. The hose must point down. The knob on the control panel is turned all the way to the "OFF" position when the fire pit is NOT in use.

Black handle

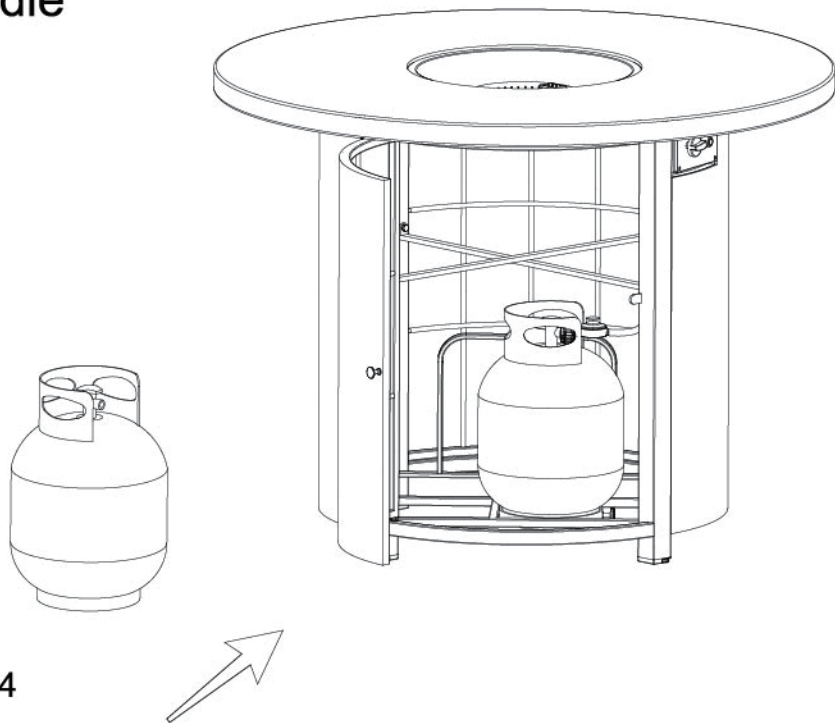


Figure 4

- Secure the cylinder by tightening clockwise the Adjusting screw found on the metal stand (G) (see Figure 5), so that the cylinder cannot move from side to side or fall down.

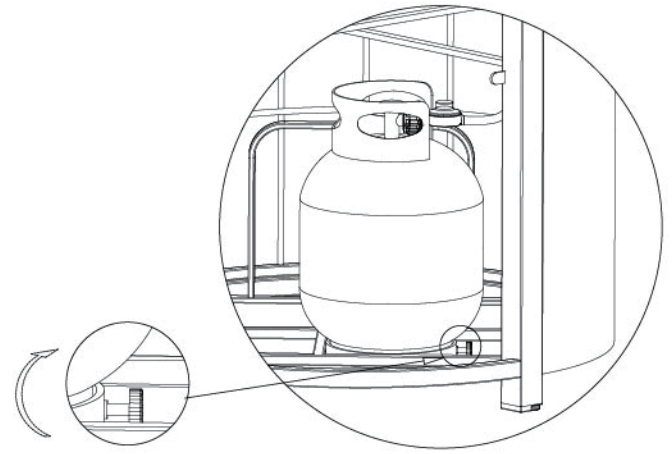


Figure 5

BATTERY

Make sure the control knob is in the "OFF" position. Unscrew the push button cap on the igniter module located on the control panel to access the battery compartment. The igniter module requires one AA size battery (see Figure 7).

WARNING:

- Please observe proper polarity and use the correct battery type when placing or replacing the battery. Improper installation could result in ignition failure (see Figure 8).
- Please remove the battery if consumed or if product is to be left unused for a long period of time.

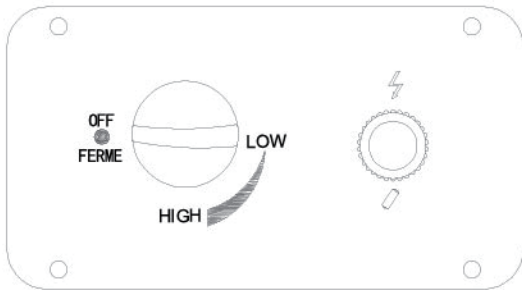


Figure 7

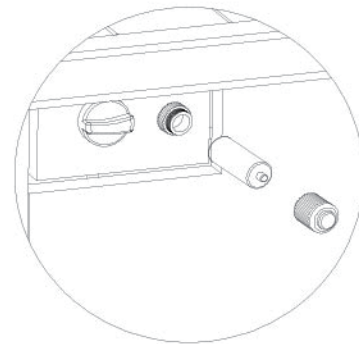
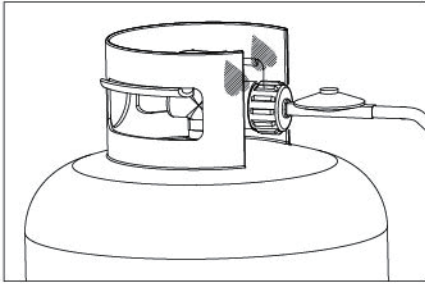


Figure 8

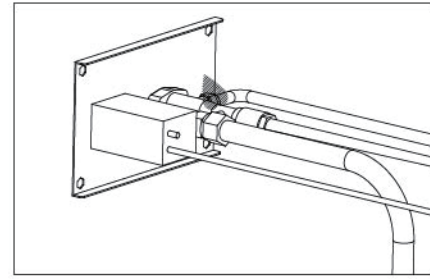
LEAK TEST

To prevent fire or explosion hazard when testing for a leak

- Always perform the leak test as described below before lighting this appliance or each time the cylinder is connected for use.
- Do not smoke or allow other sources of ignition in the area while conducting a leak test.
- Conduct the leak test outdoors in a well-ventilated area.
- Do not use matches, lighters or a flame to check for leaks.
- Do not use this appliance until any and all leak are corrected .If you are unable to stop a leak, disconnect the propane supply . Call a gas appliance service shop or your local propane gas supplier.



Cylinder-regulator connection Figure 8



Gas valve-bellows connection Figure 9

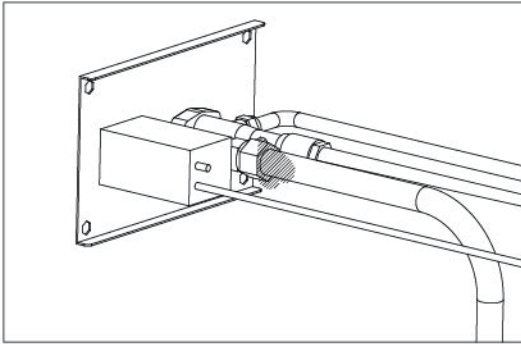


Figure 10

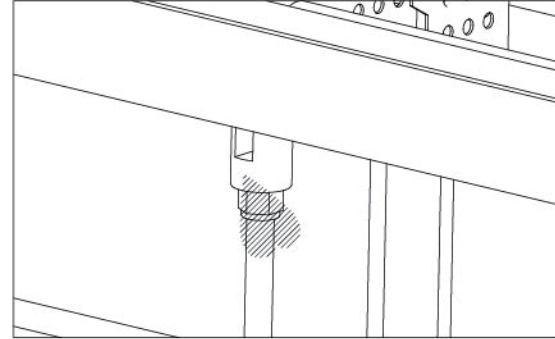



Figure 11

To perform a leak test:

1. Make 2-3 oz. of leak solution by mixing one part liquid dishwashing detergent and three parts water.
Noted: make sure control knob is "OFF"
2. Apply several drops of solution where the cylinder attaches to regulator (see Figure 8), inspect the solution at the connection looking for bubbles. If NO bubbles appear, the connection is secure, If bubbles appear, the connection has the leak, disconnect the regulator, perform another leak check. If you continue to see bubbles after several attempts, cylinder valve is defective and should be returned to cylinder's supplier.
3. Apply several drops of solution where gas valve attaches to bellows (see Figure 9) . where gas valve attaches to hose (see figure 10), and where inlet tube attaches to billows (see Figure 11). If NO bubbles appear, the connection are secure .If bubbles appear, the connection has the leak, disconnect, reconnect, perform another leak check. If you continue to see bubbles after several attempts, the part is defective and should replace the part.

LIGHTING INSTRUCTIONS

1. Push in gas control knob slightly and turn to "OFF"
2. Turn gas control knob the " 
3. Push in gas control knob all the way and hold .Continue to press the ignition button for 15 seconds.
- 4.If the burner does not light in 15 seconds, release the knob and it will pop back out. Wait 5 minutes before attempting to light the burner again, repeat step 1 to 3.

TO TURN OFF GAS

Push in gas control knob slightly and turn to "OFF"

WARNING: For your safety, read and follow the Lighting Instructions in this manual . IMPROPER LIGHTING PROCEDURES COULD RESULT IN A FIRE HAZARD OR EXPLOSION HAZARD OR PROPERTY DAMAGE, INJURY OR LOSS OF LIFE.

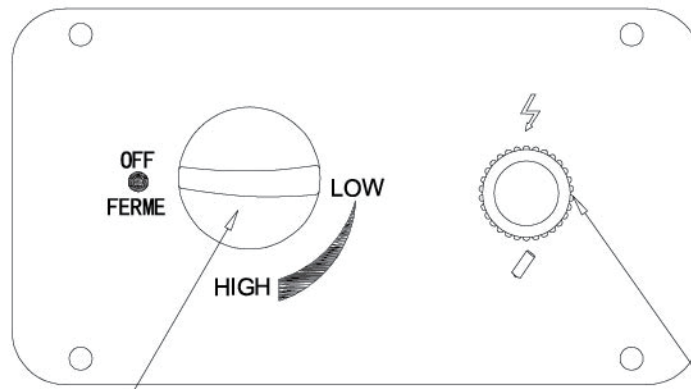


Figure13

Gas control knob

Ignition button

Observe Flame Height When Lit: Flame should be a blue/yellow color between 1-2 in. height (see Figure 14).

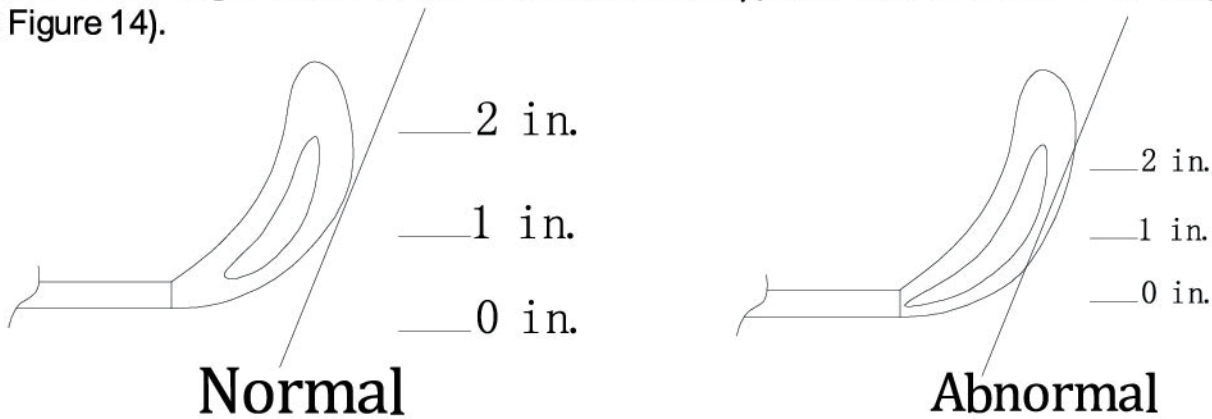


Figure 14

CARE AND MAINTENANCE

To enjoy the outstanding performance from your fire pit, make sure you perform the following activities on a regular basis:

1. Use warm soapy water for cleaning. Never use flammable or corrosive cleaning agents.
2. While cleaning the fire pit, make sure to keep the area around the burner dry at all times. DO NOT submerge the control valve assembly. If the gas control is submerged in water, DO NOT use it. It must be replaced.
3. Air flow must be unobstructed. Keep controls, burner, and circulating air passageways clean. Signs of possible blockage include:
 - (1) Gas odor with extreme yellow tipping of flame.
 - (2) Fire pit does NOT reach the desired temperature.
 - (3) Fire pit flame is excessively uneven.
 - (4) Fire pit makes popping noises.
 - (5) Spiders and insects can nest in burner or orifice. This dangerous condition can damage fire pit and render it unsafe for use. Clean burner holes by using a heavy-duty pipe cleaner. Compressed air may help clear away small particles.

4. Carbon deposits may create a fire hazard. Clean burner with warm soapy water if any carbon deposits develop.

NOTE: Always allow fire pit to cool COMPLETELY before attempting service or maintenance.

PROBLEM	POSSIBLE CAUSE	CORRECTIVE ACTION
Burner won't light	Propane cylinder is empty	Replace propane cylinder
	Blockage in orifice	Clear blockage
	Control knob is not in ON position	Turn control knob to ON
Burner flame is low	Gas pressure is low	Turn cylinder valve OFF and fill the cylinder
	Outdoor temperature is less than 40°F and tank is less than 1/4 full	Use a full cylinder
	Control knob fully ON	Check burner and orifices for blockage
Carbon build-up Thick black smoke	Dirt or film on burner	Clean burner
	Blockage in burner	Remove blockage and clean burner inside and outside

