


# Propane Gas Fire Table Use and Care Instructions

79710490 DFP-FP20305 Alvarado Pedestal Fire Table

 **WARNING:** This product can expose you to chemicals including (Lead and Lead Compounds, Lead Acetate, Lead, Phosphate, Lead Subacetate, Nickel, Antimony, Chromium, and Cobalt), which are known to the state of California to cause cancer and birth defects or other reproductive harm. For more information go to [www.P65Warnings.ca.gov](http://www.P65Warnings.ca.gov).



**ATTENTION: READ INSTRUCTIONS CAREFULLY BEFORE ASSEMBLY OR USE**

**INSTALLER: LEAVE THIS MANUAL WITH THE APPLIANCE.**

**CONSUMER: RETAIN THIS MANUAL FOR FUTURE REFERENCE.**

**If you have any problems with this product. DO NOT RETURN IT TO THE STORE.**

**PLEASE CONTACT OUR CUSTOMER SERVICE CENTER.**

**Monday – Friday 7:00AM – 4:00PM Pacific at 1.888.264.1017**

**Email: [customerservice@americanfireglass.com](mailto:customerservice@americanfireglass.com)**

Design certified under ANSI Z21.97-2017/CSA2.41-2017 Standard for Outdoor Decorative Gas Appliance



Manufactured and distributed by American Fire Glass® INC

570 Third Street, Lake Elsinore, CA 92530

1-833-334-3473

[duraflamefireglass.com](http://duraflamefireglass.com)

DFG-INST-RTG1\_REVA\_0920



## **WARNING:**

**CHOKING HAZARD. SMALL PARTS.**

**FIRE GLASS IS NOT INTENDED FOR USE BY CHILDREN.**

**THIS ITEM IS NOT A TOY. KEEP OUT OF REACH OF BABIES AND SMALL CHILDREN.**



## **WARNING: FIRE OR EXPLOSION HAZARD**

**If you smell gas:**

- 1. Shut off gas to the appliance.**
- 2. Extinguish any open flame.**
- 3. If odor continues, leave the area immediately.**
- 4. After leaving the area, call your gas supplier or fire department.**

**Failure to follow these instructions could result in fire or explosion, which could cause property damage, personal injury, or death.**



## **WARNING:**

**Do not store or use gasoline or other flammable liquids or vapors in the vicinity of this or any other appliance.**

**An LP-cylinder not connected for use shall not be stored in the vicinity of this or any other fire appliance.**



## **WARNING: USE PROPANE GAS ONLY.**

**For use with tanks marked PROPANE only.**

**DO NOT connect to a remote gas supply.**



## **WARNING: FOR OUTDOOR USE ONLY.**

**Installation and service must be performed by a qualified installer, service agency, or the gas supplier.**



## **WARNING:**

**If the information in this manual is not followed exactly, a fire or explosion may result causing property damage, personal injury, or loss of life.**



## **DANGER**

## **CARBON MONOXIDE HAZARD**

**This appliance can produce carbon monoxide which has no odor.**

**Using it in an enclosed space may cause death.**

**Never use this appliance in an enclosed space such as camper, tent, car or home.**



## DANGERS AND WARNINGS

**⚠ WARNING:** When fire table is not in use— disconnect Propane Tank.  
If fire table is stored indoors—remove Propane Tank.

**⚠ WARNING:** This fire table must be attended at all times while in use!

Propane Tanks sold separately.



Read and follow all instructions and warnings in this Owner's Manual thoroughly before installing, operating, or servicing this fire table.

**WARNING:** Improper installation, use, maintenance, adjustment or storage can cause fire or explosion, resulting in serious injury or property damage.

### Prepare for use:

#### **Keep away from Combustible/Flammable Items •**

- Do not put any other fireplace cover or anything flammable on or beneath fire table.
- Combustible materials should never be within 1.83 m/6 ft of the top, 1.22 m/4 ft of back or sides of fire table.
- For use on noncombustible floor material only.
- Keep fire table area clear and free from combustible materials, gasoline, and other flammable vapors and liquids.

#### **Inspect for leaks, wear and damage**

- Open Door and check for gas leaks before use - See page 8, Step #8 for instructions on how to check for gas leaks.
- Inspect burner and hose before use - Replace if there is evidence of excessive abrasion, wear, or damage.
- Inspect hose before each use. Hose assembly must be replaced prior to use if there is evidence of excessive abrasion or wear or if hose is damaged. Use a manufacturer-specified replacement hose only.

#### **Prepare area, ensure proper use of fire table cover**

- Make sure ventilation openings on sides of fire table (BODY) are open and clear of debris.
- If you have a nylon fire table cover, Do not lay cover over fire table for at least 4 hours after it is turned OFF and has completely cooled down.
- Do not use fire table if any part has been under water, Immediately call a qualified service technician to inspect fire table and to replace any part of the control system and any gas control that has been under water.

### When in use:

#### **Do's**

- Use propane cylinders with the following required measurements only: 30.5 cm/12 in (diameter) x 45.7 cm/18 in (tall) with capacity 9 kg/19.84 lbs.)

If flame goes out while operating, turn gas valve OFF. Wait five minutes before attempting to relight.

- Due to high surface temperatures always keep a safe distance to avoid burning or clothes catching fire.
- Keep fuel supply hose away from any heated surfaces.

#### **Don't's**

- Never lean over the open fire table or place hands or fingers on the upper portion while in use.
- Do not use fire table for cooking.
- Do not burn any other materials other than what is supplied with and intended for use in fire table.
- Solid fuels shall not be burned in this fire table.
- Do not pour water into fire table.
- Do not move fire table while in operation.
- fire table should never be operated by children. Children must be supervised when they are anywhere near fire table.
- Do not rest feet on fire table.
- Do not use fire table on vehicles or boats. Always operate fire table on flat ground outdoors.

### When not in use:

- Remove Battery from Ignitor when not using fire table for an extended length of time.
- Clean battery contacts and also those of the device prior to battery installation.

# DANGERS AND WARNINGS

## THIS PRODUCT USES PROPANE ONLY

- Use propane cylinders with the following required measurements only: 30.5 cm/12 in (diameter) x 45.7 cm/18 in (tall) with capacity 9 kg/19.84 lbs.)
- Max gas supply 28cm/11 in w.c. (2.74kpa)
- Only cylinder marked "propane" may be used.
- **If you see, smell or hear the hiss of escaping gas from the propane tank:**
  1. Turn off gas supply and get away from gas cylinder and fire table at once.
  2. Do not attempt to correct the problem yourself.
  3. Call your gas supplier and / or the fire department for help.
- A dented or rusty propane cylinder may be hazardous and should be cleared by your gas supplier prior to use.
- Do not attempt to disconnect gas regulator or any gas fitting while fire table is in operation.
- The gas pressure regulator provided with fire table must be used.
- Do not use a propane cylinder with a damaged valve and any other worn out parts.
- Transport and store empty propane cylinders carefully and properly.

## **Children and adults should be alerted to the hazards of high surface temperatures and should stay away to avoid burns or clothes catching fire.**

- Young children should be carefully supervised when they are in the area of fire table.
- Clothing or other flammable materials should not be hung from fire table, or placed on or near fire table.

## **Propane-gas supply cylinder to be used must be:**

- Constructed and marked in accordance with the U.S. Department of transportation (NOT) Specifications for LP-Gas Cylinders, or the Standard for Cylinders, Spheres and Tubes for Transportation of Dangerous Goods and Commission, CAN/CSA-B339, as applicable;
- Provided with a listed overfilling prevention device; and with a cylinder connection device compatible with the connection for the appliance

## **When storing fire table:**

Storage of fire table indoors is permissible only if the cylinder is disconnected and removed from fire table. Cylinders must be stored outdoors

in a well-ventilated area out of reach of children. Disconnected cylinders must have threaded valve plugs tightly installed and must not be stored in a building, garage or any other enclosed area.

Turn OFF control knob and close propane cylinder valve. Turn coupling nut counterclockwise by hand only—do not use

tools to disconnect. Loosen cylinder screw beneath bottom shelf, then lift propane cylinder up and out of shelf. Place dust cap on cylinder valve outlet whenever the cylinder is not in use.

**WARNING:** *Improper installation, adjustment, alteration, service or maintenance can cause injury or property damage. Refer to the owner's information manual provided with this appliance. For assistance or additional information consult a qualified installer, service agency or the gas supplier.*

The Propane-gas supply cylinder must be disconnected when this appliance is not in use.

Any guard or other protective device removed for servicing the appliance shall be replaced prior to operating the appliance.

Installation and repair should be done by a qualified service person. The appliance should be inspected before use and at least annually

by a qualified service person. More frequent cleaning may be required as necessary. It is imperative that the control compartment, burners, and circulating air passageways of the appliance are kept clean.

## PREPARATION FOR ASSEMBLY

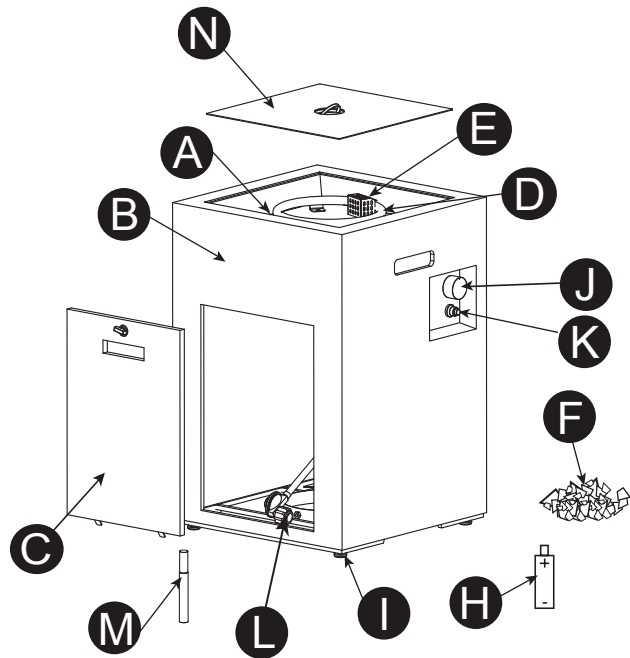
Before beginning assembly of fire table, make sure all parts are present. Compare parts with package contents list. If any part is missing or damaged, do not attempt to assemble fire table.

**Estimated Assembly Time: 10 minutes**

*NOTE: You must follow all steps to properly assemble fire table.  
Make sure the gas valve is turned OFF before assembling.  
Do not attempt to assemble without proper tools.*

## PACKAGE CONTENTS AND COMPONENTS

PART	DESCRIPTION	QTY
A	Fire Bowl	1
B	Body	1
C	Door	1
D	Burner (preassembled)	1
E	Guard (preassembled)	1
F	Fire Glass	1Box
H	AAA Battery	1
I	Adjustable feet (preassembled)	4
J	Control Knob (preassembled)	1
K	Igniter (preassembled)	1
L	Regulator (preassembled)	1
M	Touch-Up Kit	1
N	Lid	1

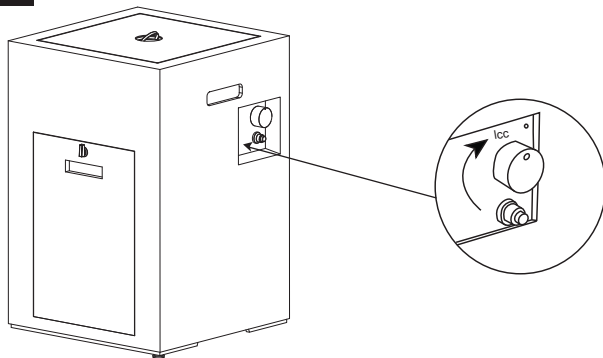


### WARNING:

Failure to position the parts in accordance with these diagrams or failure to use only with parts specifically approved with this appliance may result in property damage or personal injury.

# ASSEMBLY INSTRUCTIONS

1



1 Make sure the gas supply system is turned to "OFF".

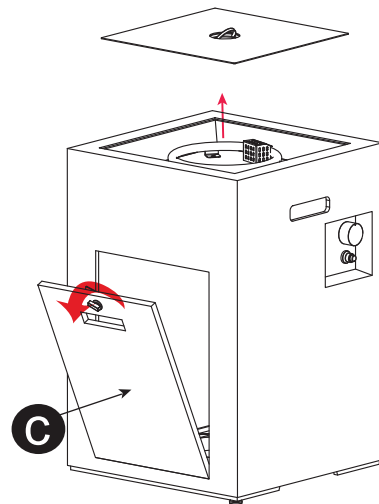


## WARNING

This fire pit requires air flow under the unit. Do not place on uneven surface or on grass, turf or carpet.

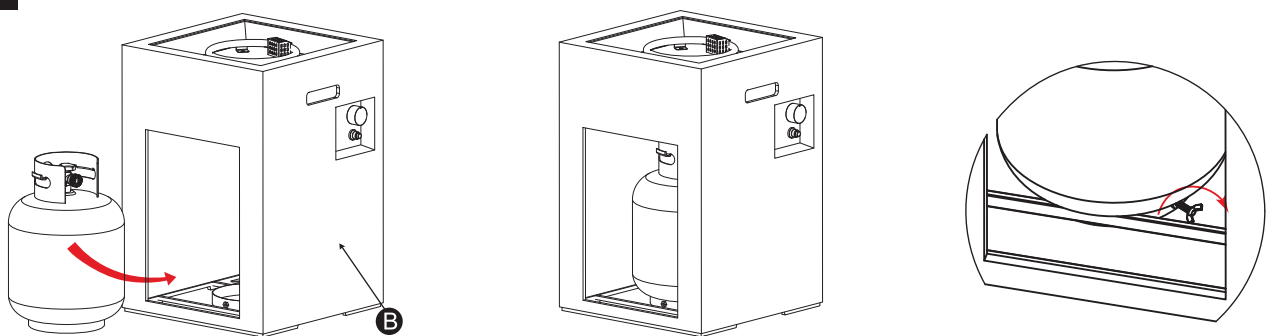
Questions? Please call us at (833)-334-3473 for assistance.

2



2 Turn door knob, Remove door (C) and Lid(N) .

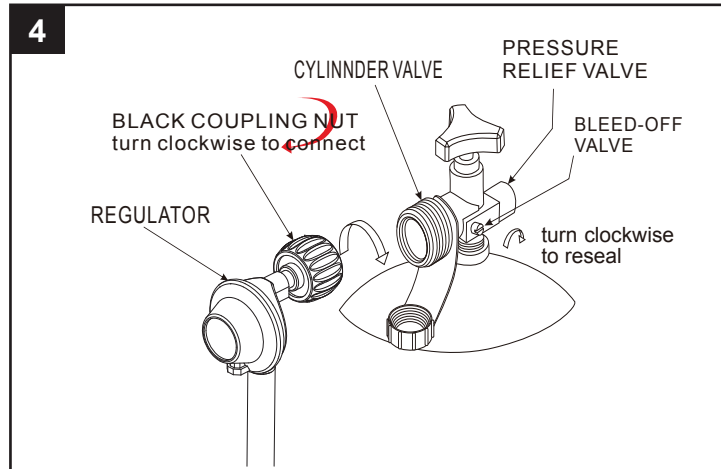
3



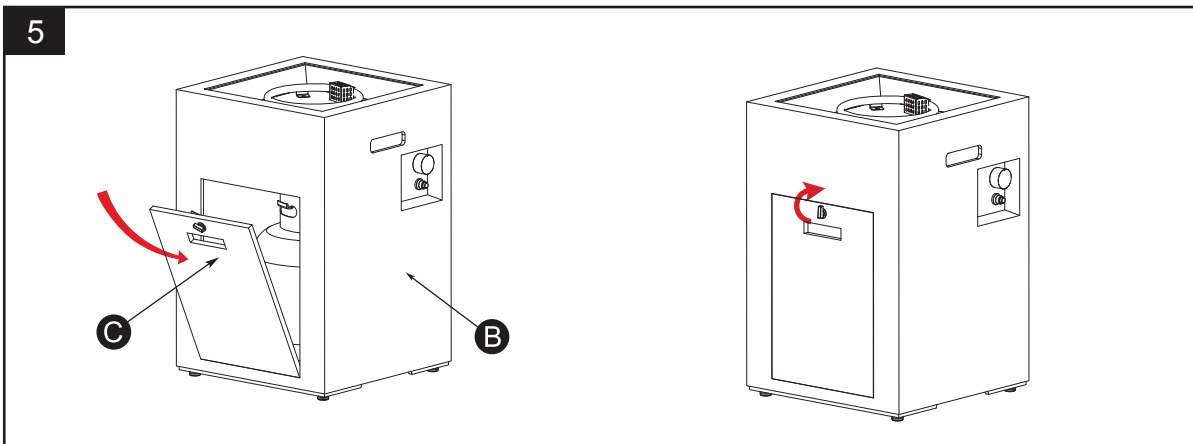
3 Place propane tank (not included) in the metal stand inside Body (B) and make sure the gas tank sits on the metal stand completely. Turn the wing screw on the outer part of metal stand clockwise to secure the gas tank tightly.

# ASSEMBLY INSTRUCTIONS

- 4** Turn Cylinder Valve on the top of Propane Tank clockwise to close off gas supply. Screw Regulator Coupling clockwise by hand only. Make sure it is fastened. See Figure 4

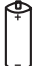


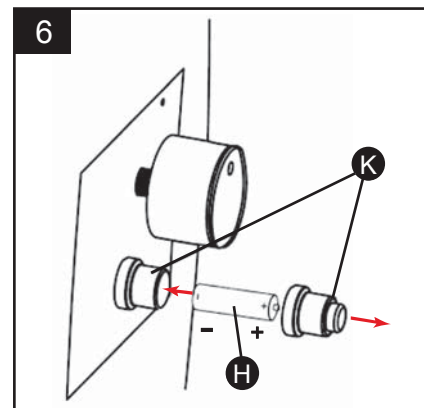
- 5** Replace Door (C) onto Body (B) and turn door knob to secure .



- 6** To install Battery (H), unscrew rubber cap of Electric Igniter (K) and place Battery (H) into the Battery Case. Make sure the positive pole ("+") faces out towards Cap. Screw Cap back to Battery Case tightly.

Hardware Used

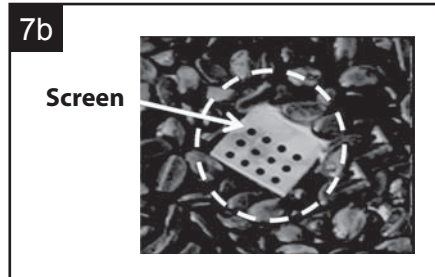
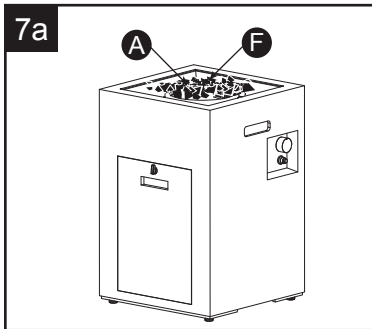
<b>H</b> AAA Battery		x 1
----------------------	---	-----



# ASSEMBLY INSTRUCTIONS

- 7** a) Place Fire Glass (F) evenly in Fire Bowl (A). Use caution when handling Fire Glass as it is sharp. See *Figure 7a*  
 b) Do not place any Fire Glass over the Screen. See *figure 7b*  
 c) Completely cover the entire Burner Ring with Fire Glass. See *figure 7c*

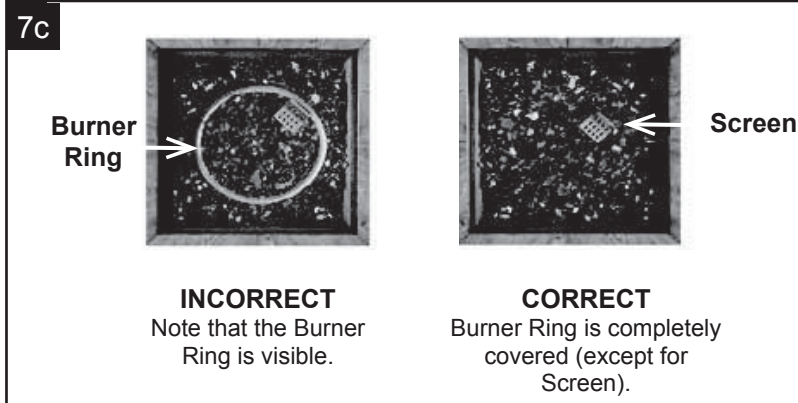
Failure to completely cover the Burner Ring with the Fire Glass will cause flame to extinguish occasionally.



## **! WARNING**

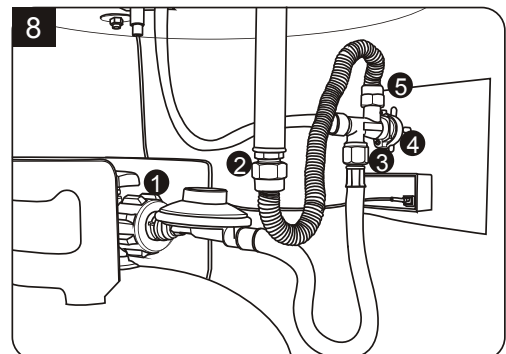
Keep Fire Glass and other objects off of screen (shown at left). Holes in the Screen must be exposed in order to allow gas to escape.

*Blocked screen can cause gas to build inside fire pit and ultimately cause an explosion and risk of serious injury.*



- 8** Before using fire table, check for gas leaks.  
 Perform leak test in a well-ventilated area outside and where no source of spark can occur.
- After opening door for access, open Tank Valve fully (counter-clockwise).
  - Turn Control Knob to the OFF position.
  - Apply soapy water solution (3 drops dish detergent plus 4 oz. water) to check all connections for leaks before attempting to light fire table.
  - Coat soapy water onto all connections (shown in figure at right, 1, 2, 3, 4, 5). See *Figure 8*
  - Turn Control Knob to the ON position. If there are any leaks, soapy water will bubble where leak is occurring.

**If a leak is found, turn Tank Valve off and do not use fire table until repairs are made.**





# OPERATING INSTRUCTIONS

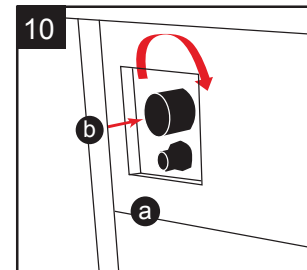
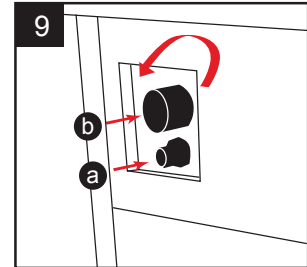
Before each use, open the door to inspect hose. Replace hose if there are any signs of cutting, wear or abrasion.

**Caution: Only use pressure regulator and hose assembly supplied with fire table**

**Replacement pressure regulator and hose assemblies must be specified or supplied by manufacturer.**

## To Light

1. Turn Cylinder Valve on top of Propane Tank counterclockwise to open gas supply.
2. Close Door on body of fire table.
3. To ignite burner ring: *See figure 9*
  - a) Press and hold Electric Igniter button (a).
  - b) At the same time, push in and turn Control Knob (b) counterclockwise, to LOW position.
  - c) Keep the Control Knob (b) pushed in to light the burner ring.



## WARNING! If ignition does NOT immediately occur

- Release Electric Igniter Button (a) and turn Control Knob to OFF (clockwise).
- **WAIT 5 MINUTES** to clear out the gas!
- Repeat lighting instructions in Step 3.

4. After ignition, release Electric Igniter Button (a).

Continue to push and hold the Control Knob for 45 seconds.

**Note:** Flame should be yellow/blue color.

## To Extinguish *See figure 10*

1. Push and turn Control Knob clockwise to "OFF" position.
2. Turn cylinder valve on gas tank to close gas supply if not in use for a long time.

**WARNING: Do not place lid or nylon fire table cover on top of fire table for at least 4 hours after use and until fire table has cooled.**

# CARE AND MAINTENANCE

- Store the fire table in a cool dry place away from direct sunlight.
- The propane tank must be disconnected and removed from the fire table before the fire table can be stored indoors.
- Make sure both the gas and the fire table are turned off before changing the battery. Please refer to the process of installing the battery (Step 6.)
- Use manufacturer approved or supplied replacement parts and accessories only. Use of unauthorized replacement parts may void the warranty.
- Please contact American Fire Glass INC at (888) 334-3473 for information on replacement hoses, igniters, lava rock or fire glass, and regulator.
- Keep fire table free and clear from combustible materials.
- Visually inspect burner ring for blockages (spider webs, dirt, etc.). Keep fire table and clear from debris.
- After burner ring and fire table are completely cooled down, use a soft brush to get rid of mild stains, loose dirt and soil. Wipe with a soft cloth.

# TROUBLESHOOTING

No spark between electrode and burner port while pushing ignitor button	No power in igniter	No battery or bad battery.	Replace battery(AAA).	
		Battery installed incorrectly.	Correctly install Battery.	
		Igniter broken or cracked	Call customer service for replacement part.	
	No spark to ignitor electrode.	Ignition wire loose or damaged.	Connect ignition wire correctly.	
		Voltage drop or short in ignition wire or position of electrode is incorrect.	Reposition electrode near burner port. If defective call customer service for replacement part.	
No gas or low gas flow.	Gas not turned on at tank.		Turn on gas at cylinder.	
	Regulator is loose or disconnected at tank.	Regulator not connected properly at tank.	Check and re-connect the regulator at tank.	
	No or low gas in tank.		Re-Fill tank.	
	Excess flow safety valve has been activated.	Gas turned on at tank while system was still charged with gas.		Turn control knob to "OFF", turn off the valve at tank and disconnect regulator from tank. Turn control knob on fire table to "LOW", Wait for 30 seconds then turn knob to "OFF", Reconnect regulator to tank and resume proper operation.
		Obvious gas leak in system could cause excess flow safety valve to activate.		Check gas system for gas leaks, if yes, Call customer service.
	Bends or kinks in hose.	Bends or kinks can cause low gas flow.		Un-bend and straighten hoses.
Loss of flame at burner.	No or low gas tank.		See "No or Short of gas" above	
	High or gusting winds.	Flame blown out by high or gusting winds	Remove the appliance to the place without high or gusting winds	
	Loose connection at thermocouple.		Call the customer service for help	
	Ignition screen block by media.	Media fell inside screen area and blocked oxygen flow.		Open and cleaned area of media.
		Media blocking flame to thermocouple.		
	Ignition screen covered by media.	Ignition screen covered causes improper flame.		Clear media away from ignition screen per instruction on page 8.
Build up of carbon deposit inside ignition screen.	Carbon deposits occur due to restricted flame under ignition screen.		Open top of screen and clean carbon deposits.	

## LIMITED LIFETIME CONSUMER PRODUCT WARRANTY

The following warranty has been drafted to comply with the MAGNUSON-MOS-WARRANTY ACT applicable to products manufactured after July 4, 1975. It replaces and supersedes any warranty in this package or in any printed literature.

### LIMITED WARRANTY

AMERICAN FIRE GLASS®, 570 THIRD STREET, LAKE ELSINORE, CA U.S.A., NOT DURAFLAME®, INC, warrants all Duraflame® Fire Glass and Fire Pit products and accessories against defects in materials and workmanship, and suitable for a particular purpose, for a period of:

1. TEMPERED GLASS – All glass is guaranteed against burnout in the original installation for the lifetime of the initial purchaser.
2. BURNERS/PANS – 5 years from date of purchase.
3. FITTINGS – 5 years from date of purchase.
4. IGNITION SYSTEM and PARTS – 1 year from date of purchase.
5. LITE STONES – 2 years from date of purchase.
6. FIRE PITS – 2 Years from date of purchase.

**THIS WARRANTY IS FOR THE BENEFIT OF THE ORIGINAL PURCHASER.**

### WARRANTY ADJUSTMENT

7. AMERICAN FIRE GLASS®, manufacturer and distributor of Duraflame® Fire Glass and Fire Pits agrees to repair or furnish a replacement for, but not remove or install any product or component, which proves defective, within the above warranty and appropriate time periods stated
8. BUYER shall notify AMERICAN FIRE GLASS® of any defect within this warranty no later the thirty (30) days after a defect is discovered.
9. No product will be accepted for return or replacement without authorization by AMERICAN FIRE GLASS®. Before returning merchandise, contact AMERICAN FIRE GLASS® giving full details of the complaint, a copy of sales receipt, invoice or other evidence of purchase date, and an image of the item installed. Merchandise returned without proof of purchase date will be serviced out of warranty at our prevailing service and part rates. If merchandise was damaged in transit, file claim immediately with the carrier, and contact AMERICAN FIRE GLASS®. Product returned must be addressed as follows:

AMERICAN FIRE GLASS®

570 THIRD STREET LAKE ELSINORE, CA 92530

Shipping charges must be pre-paid by buyer.

**REPAIR OR REPLACEMENT UNDER THIS WARRANTY WILL BE SHIPPED AT NO CHARGE TO THE CUSTOMER.**

### EXCLUSIONS FROM WARRANTY:

1. The foregoing warranty is limited solely as set forth herein and applies only for the periods designated above.
  2. AMERICAN FIRE GLASS® or Duraflame®, Inc. shall not be liable for any loss, damage, incidental or consequential damages of any kind, whether based upon warranty, contract, or negligence, arising in connection with the sale, use, or report of the product. Some states do not allow the exclusion or limitation of incidental or consequential damages, so the above limitation or exclusion may not apply to you.
  3. The maximum liability of AMERICAN FIRE GLASS® in connection with this limited warranty shall not in any case exceed the contract price paid for the product claimed to be defective or unsuitable.
  4. This warranty does not extend to any product provided by AMERICAN FIRE GLASS® which has been subjected to misuse, neglect, accident, improper installation, or use in violation of instructions furnished by AMERICAN FIRE GLASS®.
  5. This warranty does not extend to or apply to any unit which has been repaired or altered at any place other than an AMERICAN FIRE GLASS® factory, or by persons not expressly approved by AMERICAN FIRE GLASS®.
  6. Components manufactured by any supplier other than AMERICAN FIRE GLASS® shall bear only that warranty made by the manufacturer of that product.
  7. Freight damage and color changes occurring from cause beyond manufacturer's control and are not covered by any warranty.
- THIS WARRANTY GIVES YOU SPECIFIC LEGAL RIGHTS, AND YOU MAY ALSO HAVE OTHER RIGHTS WHICH VARY FROM STATE TO STATE. AMERICAN FIRE GLASS® shall be held harmless from any and all claims by the buyer as a result of injury or damage to an ultimate user or other person caused by the product sold herein by the seller to the buyer, whether the injury or damage results from the assembly, installation, operation, shipment, storage or manufacture of this product. AMERICAN FIRE GLASS® makes no warranties, expressed or implied, other than those expressly stated herein.

Duraflame® Fire Glass and Fire Pits  
Manufactured and Distributed by American Fire Glass®  
570 Third Street, Lake Elsinore, CA 92530  
www.duraflamefireglass.com  
1.888.334.3473

DFP-INST-RTG1\_REVA\_0920