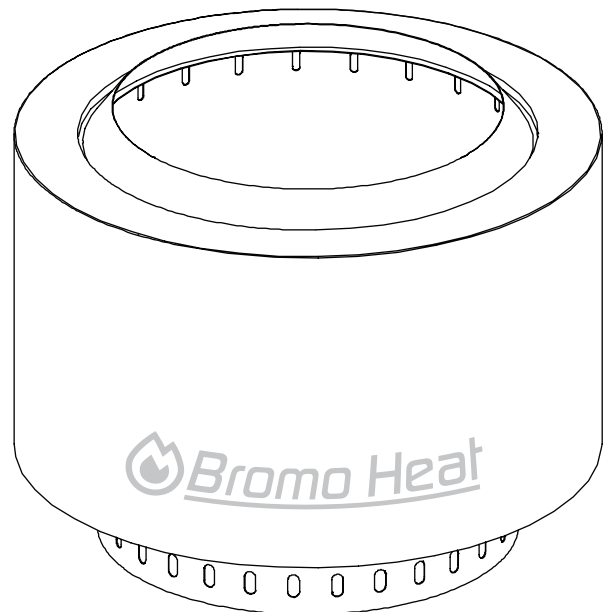
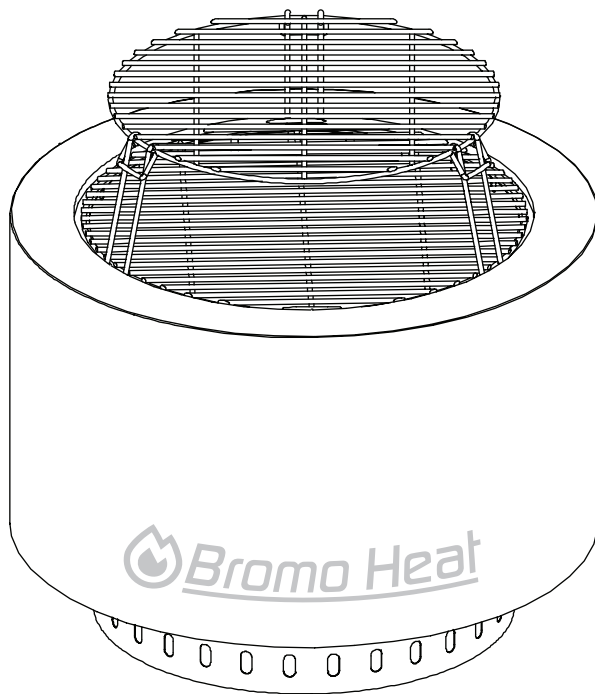
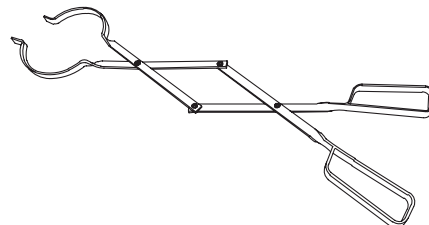




Smokeless Fire Pit
Rooms To Go SKU 79740001
SKU BHSF100 (Stainless)



Includes multi purpose storage/carry bag and firewood tongs



Please keep this instruction manual for future reference



WARNING

FOR OUTDOOR USE ONLY



WARNING

1. Please read this entire manual before attempting to assemble, or operate this product.
2. Improper installation, adjustment, alteration, service, or maintenance may result in death, serious bodily injury, or damage to product/property.
3. Always use in accordance with all applicable local, state, and Federal codes. Contact your local fire department for details on outdoor burning.



WARNING

- **DO NOT** use this fire pit inside buildings, garages, recreational vehicles (RVs) or any other enclosed area. For outdoor use only.
- **DO NOT** use this fire pit for indoor heating. **TOXIC** carbon monoxide fumes can accumulate and cause death.
- **DO NOT** use unless all parts are in good condition and completely assembled according to instructions.
- **NEVER** allow children to use or play near this fire pit. Keep pets away.
- **DO NOT** use on wood decks.
- **NEVER** leave a burning fire pit unattended. **ALWAYS** extinguish fire completely before leaving the area.
- **DO NOT** use this fire pit under an overhang, balcony, or electrical wires.
- **DO NOT** use this fire pit in or on boats.
- **DO NOT** use this fire pit near automobiles, trucks, vans or recreational vehicles (RVs).
- **DO NOT** use near combustible materials or other things that can catch fire.
- **DO NOT** store/use gasoline or other flammable liquid/vapor near this fire pit.
- **DO NOT** store/use a propane cylinder within 10 ft (3.1 m) of this fire pit while it is in operation.
- **DO NOT** use near dry grass/leaves or under trees/shrubs.
- **DO NOT** use in high wind.
- **DO NOT** use on tables or other elevated surfaces.
- **DO NOT** use under the influence of alcohol or other drugs.
- **DO NOT** wear loose clothing while using fire pit.
- **DO NOT** use without spark guard securely in place.
- **DO NOT** place a hot spark guard onto combustible surfaces such as grass or furniture.
- **DO NOT** touch metal parts with bare hands during or immediately after use. Surfaces will be hot, including spark guard handle. Allow to cool thoroughly before handling.
- **DO NOT** move a burning fire pit.

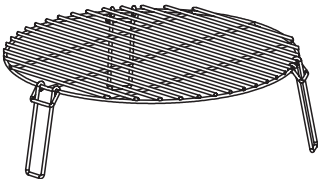
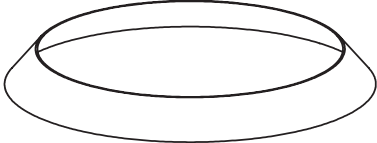
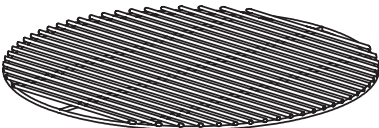
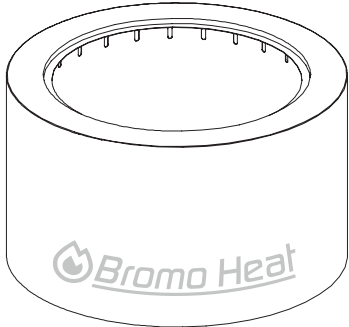
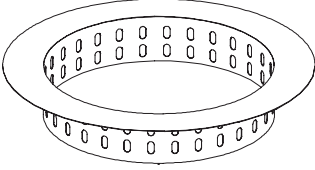
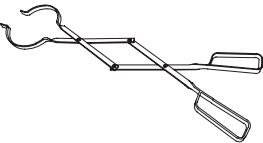

WARNING

- Position fire pit outdoors on a flat, stable, and heat resistant surface such as concrete, rock, or stone. Asphalt or blacktop may become damaged due to heat.
- Allow a minimum of 10 ft (3.1 m) clearance between the fire pit and surfaces which may be affected by heat.
- **ALWAYS** empty fire pit before each use. **DO NOT** remove ashes/coals until they are completely extinguished.
- Use only with the recommended amount and type of fuel.
 - **DO NOT** use with charcoal briquettes, lump charcoal, manufactured logs, driftwood, trash, leaves, papers, cardboard, plywood, or painted / stained/pressure treated wood.
 - This fire pit is designed to burn dry, untreated hardwood only. Avoid using softwoods such as pine or cedar that can throw sparks.
 - Total fuel load not to exceed 3.0 lb (1.4 kg) at any time.
- **DO NOT** place fuel directly into bottom of fire pit base. **ALWAYS** place fuel on top of metal grate.
- **DO NOT** place fuel stacked to one side, Always center fuel on top of metal grate.
- **DO NOT** overload the fire pit, If any portion of the fire bowl or spark guard are glowing red during use, the fire pit is overloaded.
- **NEVER** use gasoline, kerosene, diesel fuel, or lighter fluid to light or re-light.
- **DO NOT** lean over fire pit when lighting or during use. Avoid inhaling or getting smoke in eyes
- **ALWAYS** use tongs (included) or poker (not included) and heat resistant gloves when removing spark guard or adjusting fire.
- Keep a fire extinguisher nearby.

FAILURE TO FOLLOW ANY OF THE ABOVE WARNINGS AND INSTRUCTIONS MAY RESULT IN DEATH, SERIOUS BODILY INJURY, OR DAMAGE TO PRODUCT/PROPERTY.

REMINDER

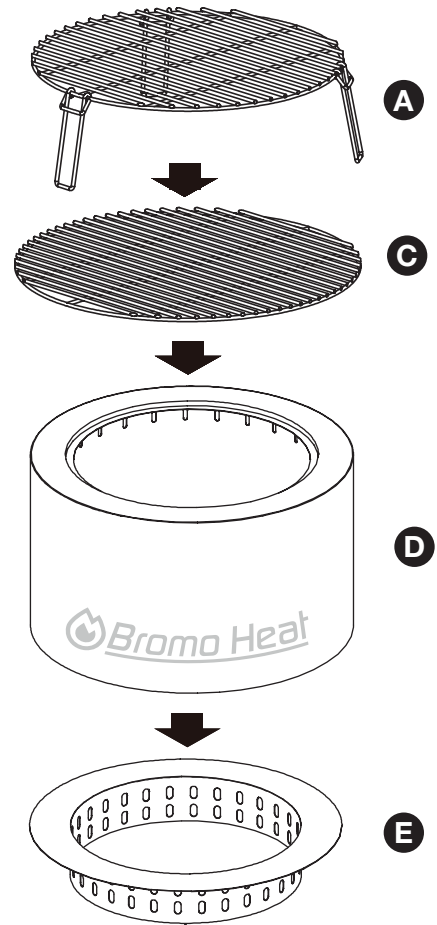
Verify that all parts are included with your fire pit BEFORE you begin assembly by checking the Parts and Hardware List. For your convenience, some parts may be pre-assembled or attached to fire pit components. If any parts are missing, do not attempt to assemble fire pit.

Part	Part Name	Image	Quantity
A	Top Rack (Food Grade 304 Stainless Steel)		1
B	Top Ring Wind Guard (Food Grade 304 Stainless Steel)		1
C	Bottom Rack (Food Grade 304 Stainless Steel)		1
D	Fire Pit Base (Food Grade 304 Stainless Steel)		1
E	Ash Pan (Food Grade 304 Stainless Steel)		1
F	Tongs (Steel)	packed in the cardboard box inside the fire pit 	1
G	Multi Use Bag (Polyester/PVC)	Use bag to protect fire pit between uses or to carry fire wood during use 	1

OPTION 1: ASSEMBLY WITH GRILL RACKS

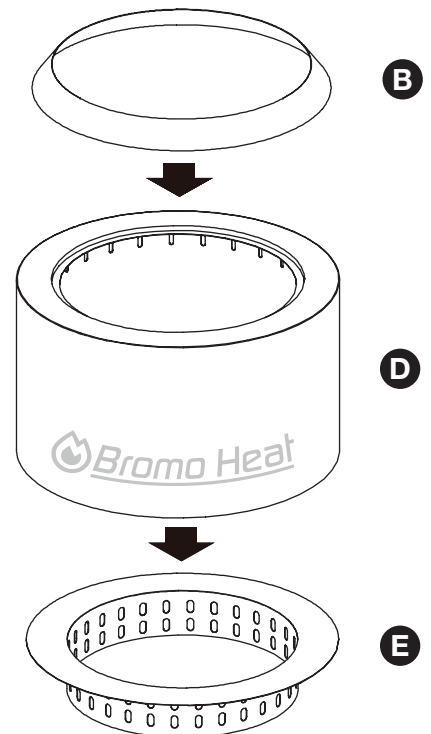
NOTE: Assemble the fire pit on a non-abrasive, level surface.

1. Unpack all components carefully from the bag **G**
2. Put the ash pan **E** on a hard, level and non-combustable surface
3. Put the fire pit base **D** on the ash pan **E**.
4. Put the bottom rack **C** on the fire pit base **D**.
5. Put the top rack **A** on the bottom rack **C**.



OPTION 2: ASSEMBLY WITHOUT GRILL RACKS

1. Unpack all components carefully from the bag **G**.
2. Put the ash pan **E** on a hard, level and non-combustable surface
3. Put the fire pit base **D** on base **E**.
4. Put the top ring wind guard **B** on the fire pit base **D**.



NOTE: No tools needed for assembly

USING YOUR FIRE PIT

1. Start to build your fire by placing tinder, kindling and small pieces of wood in the center of the fire pit.
 - For best results use hardwood. Oak and juniper are excellent options.
 - Overfilling your fire pit above the upper vent holes will decrease efficiency and produce more smoke.
2. Light your fire
 - The top ring will provide protection from the wind and enhance the flames.
 - As your ember bed gets hotter, start adding in 1-3 pieces of wood. As those catch, add enough wood to fill the fire pit.
3. When you are finished with the fire pit, let it burn out.
 - **NEVER** leave a burning fire pit unattended. **ALWAYS** extinguish fire completely before leaving the area.

ASH REMOVAL AND CLEANING

1. Empty the ashes after every fire to maintain optimal airflow and smokeless flames.
2. When the fire pit has completely cooled, brush the remaining ashes to collect in the ash pan below.
3. Lift off the fire pit base and set it aside.
4. Lift the ash pan up and dispose of the ashes responsibly.
5. Clear all remaining debris, ash and other particles from the area before replacing the ash pan.

Clean this fire pit on a regular basis to promote safer use and longer product life.

Note: After repeated use, the finish may discolor slightly.

DO NOT attempt to clean this fire pit until the fire is **COMPLETELY** out and the fire pit has cooled down.

DO NOT use oven cleaner or abrasive cleaners as they will damage this product.

DO NOT clean any part of this fire pit in a self-cleaning oven as it may damage the finish.

- Wipe exterior surfaces with a mild dishwashing detergent or baking soda.
- Rinse clean with water.

INSPECTING

Inspect this fire pit on a regular basis to ensure product safety and longer product life.

DO NOT attempt to inspect this fire pit until the fire is **COMPLETELY** out and the fire pit has cooled down.

- Check components for any signs of damage or rust.
- If any component is damaged, do not operate until repairs are made.

STORAGE

DO NOT move or store this fire pit until the fire is **COMPLETELY** out and cooled down.

- Once the fire is out, coals are cold and fire pit is cool to touch, remove ashes and properly dispose.
- Store assembled in a location away from children and pets.
- Store in a dry location to maximize product life.