

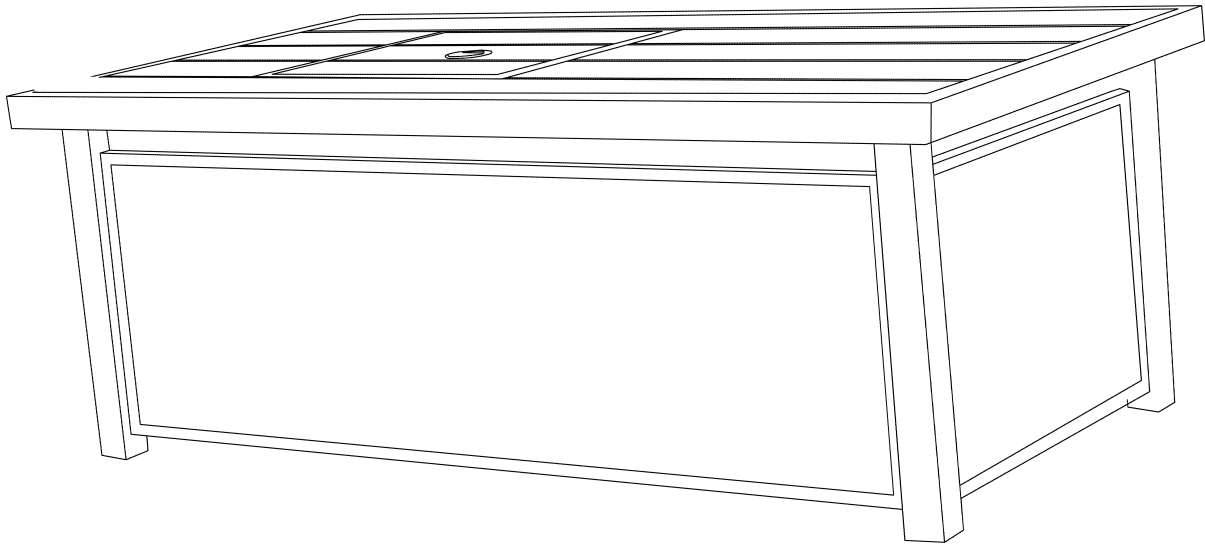


ROOMS TO GO PATIO™

Bermuda Breeze 31"X60" FIRE PIT

Manufactured for Rooms to Go

ZXFC 79838046



If you have any problems with this product,
DO NOT RETURN IT TO THE STORE.
PLEASE CONTACT OUR CUSTOMER SERVICE CENTER
(Monday-Friday 9:00 a.m.-5:00 p.m. CST) at 1-877-931-7378
(fax: 952-746-0344), or e-mail: xinyue@xinyueinternational.com.

Safety Information



DANGER: If the information in this manual is not followed exactly, a fire or explosion may result, causing property damage, personal injury, or loss of life. Save this manual for future reference.



DANGER: If you smell gas, immediately:

1. Shut off gas to the fire pit.
2. Extinguish any active, open flames.
3. Open the lid of the fire pit.
4. If the gas odor persists, keep away from the fire pit, and immediately call your gas supplier or your fire department.



DANGER: Improper installation, adjustment, alteration, service, or maintenance can cause serious injury or property damage. Read and understand the installation, operation, and maintenance information thoroughly before installing or servicing equipment.



DANGER: This appliance has been tested to and complies with the ANSI Z 21.97-2012, CSA 2.41-2012 Outdoor decorative gas appliances. The installation must conform to local codes, or the absence of local codes to the National Fuel Gas Code. ANS Z223.1. Safety precautions are essential when any mechanical or propane fueled equipment is involved. Follow all precautions in this manual carefully.



DANGER:

CARBON MONOXIDE HAZARD

This appliance can produce carbon monoxide which has no odor.

Using it in an enclosed space can kill you.

Never use this appliance in an enclosed space such as a camper, tent, car or home.



WARNING: This outdoor fire pit table should be thoroughly cleaned and inspected on a regular basis. Clean and inspect the hose before each use of the appliance. If there is evidence of an abrasion, wear, cuts, or leaks, replace with a manufacturer specified hose before using the fire pit.



WARNING: The burner should be inspected at least annually by a qualified service professional. Depending on amount of use, more frequent cleaning may be required. Do not operate until any worn or damaged parts have been repaired or replaced.



DANGER: California Proposition 65 (1986) Proposition 65 is a California law protecting drinking water from toxic substances that cause cancer and birth defects. Combustion by-products produced when using this product contain chemicals known to the State of California to cause cancer, birth defects, and other reproductive harm.



WARNING: Do not use for cooking.



WARNING: Do not operate, light or use this appliance within 10 feet of walls or structures.



WARNING: Never store your LP gas tank where temperatures can exceed 125 degrees F. Never keep a filled LP gas tank in a hot car or car trunk. Heat will cause the gas pressure to increase, which may open the relief valve and allow gas to escape. Do not store a spare gas tank under or near this fire pit.



WARNING: Do not attempt to move the outdoor fire pit table when in use. Allow the outdoor fire pit table to cool before moving or storing.



WARNING: This outdoor fire pit table is not to be used in or on boats or recreational vehicles.



WARNING: This outdoor fire pit table is not to be operated by children. Carefully supervise children when they are in the area of the appliance. Do not leave a lit outdoor fire pit table unattended, especially around children and pets.



WARNING: Follow all leak-checking procedures before operating. To prevent fire or explosion hazard when testing for a leak:

- Always perform a leak test before lighting the outdoor fire pit table and each time the tank is connected for use.
- No smoking. Do not use or permit any possible sources of ignition in the area while conducting a leak test.
- Conduct the leak test outdoors in a well-ventilated area.
- Do not use matches, lighters, or a flame to check for leaks.
- Do not use the outdoor fire pit table until any and all leaks are corrected.

If you are unable to stop a leak, disconnect the LP gas supply. Call a gas appliance serviceman or your local LP gas company.

Safety Information



WARNING: Clearances to Combustible Construction:

- Sidewalls: 72" (1.5 m) from edge of table top.
- Ceiling: free of obstruction.
- Flooring: 0" – Can be installed on deck, slab, floor, etc.



CAUTION: To avoid personal injury or damage to the fire pit table, at least two people are needed to carefully place the fire pit table in the upright position.



CAUTION: The maximum inlet gas supply pressure is 250 psi.



CAUTION: Do not use this appliance if any part has been under water. Immediately call a gas appliance serviceman or your local LP gas company to inspect the appliance and to replace any part of the control system and any gas control that has been under water.



WARNING:

- High Surface temperatures: Children and adults should stay away to avoid burns or clothing ignition.
- Young children should be carefully supervised when they are in the area of the appliance.
- Clothing or other flammable materials should not be hung from the appliance, or placed on or near the appliance.
- Any guard or other protective device removed during servicing the appliance shall be replaced prior to operating the appliance.
- Installation and repair should be done by a qualified service person. The appliance should be inspected before use and at least annually by a qualified service person. More frequent cleaning may be required as necessary. It is imperative that the control compartment, burners and circulating air passageways of the appliance are kept clean.



WARNING: LP gas tank needed to operate. Only tanks marked "Propane" may be used.

- The LP gas tank must be constructed and marked in accordance with the Specification for LP gas tanks of the U.S. Department of Transportation (DOT) or the Standard for Cylinders, Spheres and Tubes for Transportation of Dangerous Goods and Commission, CAN/CSA -B339.
- The LP gas tank must have a listed Overfilling Prevention Device (OPD).
- The LP gas tank must have a cylinder connection device compatible with the connection for the appliance.
- LP tank must be arranged for vapor withdrawal.
- Never use an LP tank with a damaged body, valve, collar or footing.
- The LP tank should not be dropped or handled roughly.
- Tanks must be stored outdoors, out of the reach of children and must not be stored in a building, garage or any other enclosed area.



WARNING: For outdoor use only.



WARNING: Solid fuels should not be burned in this fire pit.



WARNING: What to do if you smell gas:

- Do not try lighting any appliance.
- Do not touch any electrical switch;
- Do not call any phone in your building.
- Immediately call your gas supplier from a neighbor's phone.
- Follow the gas supplier's instructions.
- If you cannot reach your gas supplier, call the fire department.



WARNING:

- Do not store or use gasoline or other flammable liquids or vapors in the vicinity of this or any other appliance.
- An LP cylinder not connected for use shall not be stored in the vicinity of this or any other appliance.



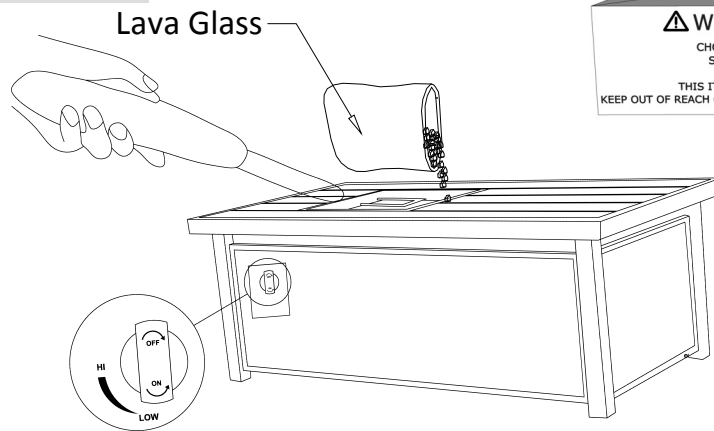
WARNING: Properly locate the gas hose out of pathways where people may trip over it or in areas where the hose may be subject to accidental damage.

OPERATION

Put the lava glass around the burner, and keep the guard on this burner free of lava glass at all times. A gas fire pit requires 22 lbs Fire glass.

WARNING: Keep children away during assembly, as this item contains lava glass, which are small pieces and can be swallowed by children.

NOTE: Read lighting steps 1-4 before attempting to light.



Lighting

Step 1:

- A) Open LP tank door.
- B) Turn LP tank gas valve on (counter clockwise.)

Step 2:

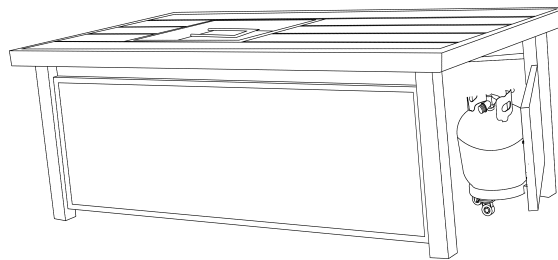
Lay lit match on/near burner ring or use long necked butane lighter.

Step 3:

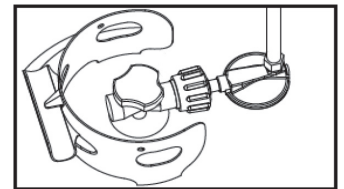
Push and turn gas control knob/value to high. Burner should light quickly. If burner does not light close all valves, wait 5 min. then repeat steps 1-3.

Step 4:

Adjust flame to desired size using gas control knob.

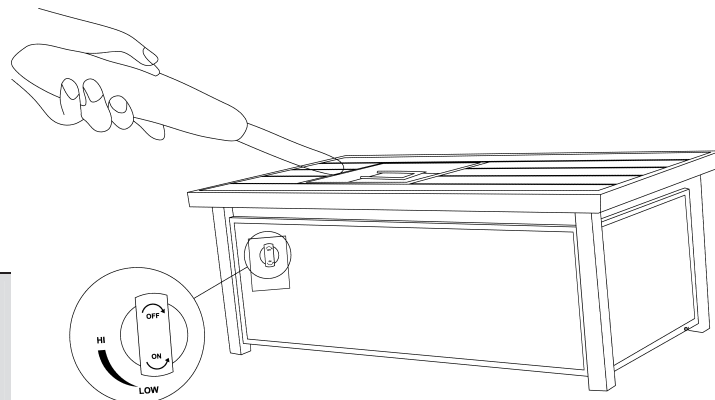


Step 1 A



Step 1 B

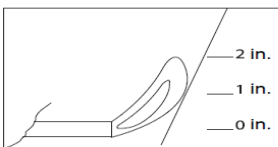
Step 2



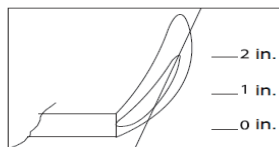
Step 3



NOTE: When fire pit is on: The burner will display blue and yellow flames. These flames should not be yellow or produce thick black smoke. This would indicate an obstruction of airflow through the burners. The flames should be blue with straight yellow tops. If excessive yellow flames are detected, turn off the burner and consult "Troubleshooting" on page 16.



Normal



Abnormal



NOTE: If burner fails to remain lit, close all valves and wait 5 minutes before attempting to light the fire pit again.



WARNING: Be careful when attempting to manually ignite this fire pit. Improper igniting procedure may cause injury or property damage.

Turning Flame Off

Step 1:

Push and turn gas control knob to off position (clockwise.)

Step 2:

Open LP tank door and turn LP tank valve completely off (clockwise.) Close door.

Step 3:

Once burner pan has cooled replace fire pit lid (B.) See figure 4.

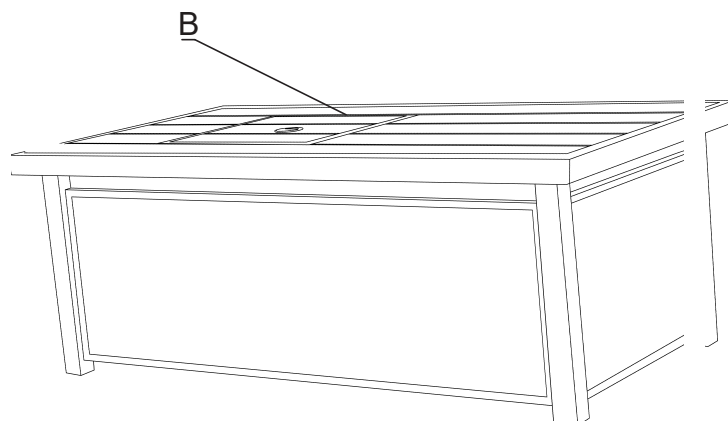


Figure 4

Checking for leaks

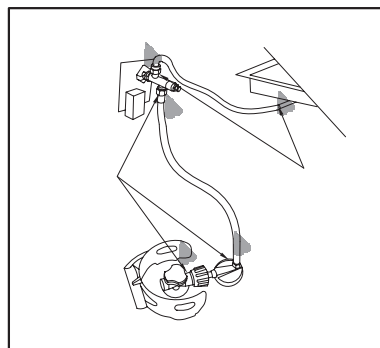
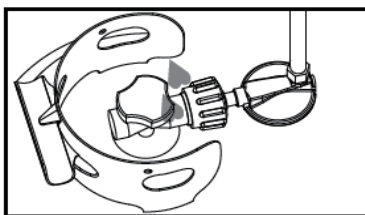
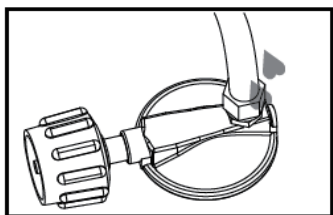
- Mix two to three ounces of a soapy solution to check for leaks. Use one part liquid dishwashing detergent and three parts water.
- Apply several drops of solution where the hose attaches to the regulator.
- Apply several drops of solution where the regulator connects to the cylinder.
- Apply several drops of solution where the hose connects to the control pipe.
- Apply several drops of solution on the two connections of the metal corrugated pipe.
- Make sure all fire pit and ignition valves are off.
- Turn the cylinder valve on.
- If any soap bubbles are visible where the solution has been applied, the connections must be tightened another turn and the leak check must be performed again.

WARNING: Follow all leak-checking procedures before operating. To prevent fire or explosion hazard when testing for a leak:

- Always perform a leak test before lighting the outdoor fire pit table and each time the tank is connected for use.
- No smoking. Do not use or permit any possible sources of ignition in the area while conducting a leak test.
- Conduct the leak test outdoors in a well-ventilated area.
- Do not use matches, lighters, or a flame to check for leaks.
- Do not use the outdoor fire pit table until any and all leaks are corrected.



If you are unable to stop a leak, disconnect the LP gas supply. Call a gas appliance serviceman or your local LP gas company.



Maintenance

- Air flow through the fire pit must remain unobstructed. Keep ventilation openings, controls, burner, and air passages clean and clear of debris. Signs of possible blockage include the following:
 - Gas odor with extreme yellow tipping of flame.
 - Fire pit does not reach the desired temperature.
 - Fire pit glow is excessively uneven.
 - Fire pit makes popping noises.
- Spiders and insects can nest in the burner or other openings. This dangerous condition can damage the fire pit and render it unsafe for use. Clean burner holes using a heavy-duty pipe cleaner. Compressed air may help clear away smaller particles.
- Carbon deposits may create a fire hazard. Clean the dome and burner screen with warm soapy water if any carbon deposits develop.

Care and Cleaning

To enjoy years of outstanding performance from your fire pit, make sure you perform the following maintenance activities on a regular basis:

- Keep exterior surfaces clean.
 - Use warm soapy water for cleaning. Never use flammable or corrosive cleaning agents.
 - While cleaning your unit, be sure to keep the area around the burner dry at all times.
 - Do not submerge the control valve assembly. If the gas control is submerged in water, do NOT use it again. It must be replaced.
- Keep the appliance area clear and free from combustible materials, gasoline, and other flammable vapors and liquids.
- Do not obstruct the flow of combustion and ventilation air.
- Clean burner holes by using a heavy duty pipe cleaner. Compressed air may help clear away smaller particles.

Storage Between Uses

- Turn the control knob OFF.
- Disconnect the LP source.
- Store the fire pit upright in an area sheltered from direct contact with inclement weather (such as rain, sleet, hail, snow, dust, and debris).
- If desired, cover the fire pit to protect the exterior surfaces and to help prevent build-up in air passages.



NOTE: Wait until the fire pit is cool before covering.

During periods of extended inactivity or when transporting

- Turn the control knob OFF.
- Disconnect the LP source, and move it to a secure, well-ventilated location outdoors.
- Store the fire pit upright in an area sheltered from direct contact with inclement weather (such as rain, sleet, hail, snow, dust and debris).
- If desired, cover fire pit to protect exterior surfaces and to help prevent build-up in air passages.



WARNING: Never leave LP cylinder exposed to direct sunlight or excessive heat. Wait until the fire pit is cool before covering.



CAUTION: Always allow fire pit to cool before attempting service.

Service

Only a qualified service person should repair gas passages and associated components.

Troubleshooting

| PROBLEM | POSSIBLE CAUSE | CORRECTIVE ACTION |
|--|--|---|
| The burner will not light. | <ul style="list-style-type: none"> <input type="checkbox"/> The propane cylinder is frosted over. <input type="checkbox"/> An opening is blocked. <input type="checkbox"/> The control knob is not in the ON position. <input type="checkbox"/> There may be too much glass bead covering the burner bowl or small pieces may be blocking the burner holes. <input type="checkbox"/> LP Tank may be empty | <ul style="list-style-type: none"> <input type="checkbox"/> Wait until the propane cylinder warms up and becomes unfrosted. <input type="checkbox"/> Clear the blockage. <input type="checkbox"/> Turn the control knob to ON. <input type="checkbox"/> Remove a portion of the lava rock. <input type="checkbox"/> Replace with full tank |
| The burner flame is too low. | <ul style="list-style-type: none"> <input type="checkbox"/> The gas pressure is low. <input type="checkbox"/> The outdoor temperature is less than 40°F, and the tank is less than ¼ full. | <ul style="list-style-type: none"> <input type="checkbox"/> Turn the cylinder valve off and replace the cylinder. <input type="checkbox"/> Use a full propane cylinder. <input type="checkbox"/> Check the burner and openings for blockage. |
| Carbon build-up and/or thick black smoke is present. | <ul style="list-style-type: none"> <input type="checkbox"/> There is dirt or film on the reflector and burner screen. <input type="checkbox"/> The burner is blocked. | <ul style="list-style-type: none"> <input type="checkbox"/> Clean the reflector and burner screen. <input type="checkbox"/> Remove any blockage, and clean the burner inside and outside. |