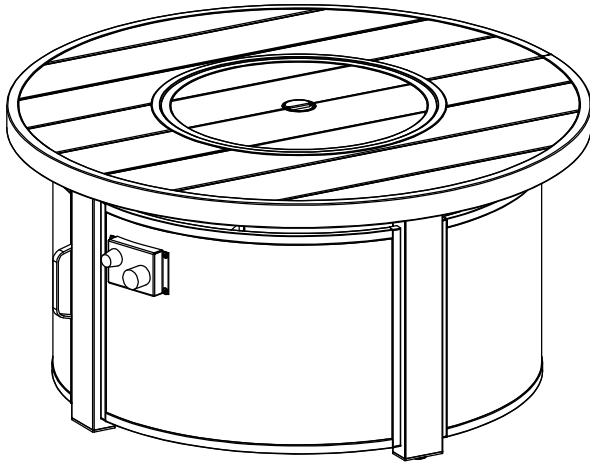


Attention: The installer must leave these instructions and the consumer should retain them for future reference.

Version #1 - 2026/03/05



⚠ DANGER

FIRE OR EXPLOSION HAZARD

If you smell gas:

- Shut off gas to the appliance.
- Extinguish any open flame.
- If odor continues, leave the area immediately.
- After leaving the area, call your gas supplier or fire department.

Failure to follow these instructions could result in fire or explosion, which could cause property damage personal injury or death.

⚠ DANGER

Do not store or use gasoline, or other flammable vapors and liquids, in the vicinity of this or any other appliance.

An LP-cylinder not connected for use shall not be stored in the vicinity of this or any other appliance.

⚠ WARNING:

If the information in this manual is not followed exactly, a fire or explosion may result in property damage, personal injury, or loss of life.

⚠ WARNING: For Outdoor Use Only

Installation and service must be performed by a qualified installer, service agency, or the gas supplier.

INSTALLER: Leave this manual with the appliance.

CONSUMER: Retain this manual for future reference.

⚠ WARNING:

Failure to position the parts in accordance with these diagrams or failure to use only parts specifically approved with appliance may result in property damage or personal injury.

Save these instructions for future use. If you are assembling this unit for someone else, give this manual to him or her to read and save for the future.

FOR YOUR SAFETY:

Surfaces of firepit can remain extremely hot for a period after use. Allow 45 minutes to cool down before touching or moving the firepit.

⚠ DANGER



CARBON MONOXIDE HAZARD

This appliance can produce carbon monoxide which has no odor.

Using it in an enclosed space can kill you.

Never use this appliance in an enclosed space such as a camper, tent, car or home.

IMPORTANT SAFETY INFORMATION

Before you assemble or operate this unit, please carefully read this entire manual. Failure to do so may result in a fire, explosion, injury or death.

WARNING:

- The installation of this unit must adhere to local codes or either the National Fuel Gas Code, ANSI Z223.1/NFPA54, OR CAN/CGA-B149.1, National Gas and Propane Installation Code.
- THIS UNIT IS INTENDED FOR OUTDOOR USE ONLY! This product shall be used outdoors, in a ventilated space and shall not be used in any enclosed area.
- This unit is to be used with propane gas only (sold separately).
- Do not attach a remote gas supply to this unit.
- Only use propane gas for this unit.
- This unit is not intended for natural gas.
- Converting this unit to natural gas is dangerous and not recommended. The conversion of this unit will void the manufacturer warranty.
- Do not use any solid fuel or charcoal for this unit.
- When igniting this unit, stay away from the burner as the flame will light up and may cause injury.
- LP GAS WARNING: Do not use any more than 1/4 in. depth lava rocks/pumice stones/lava glass above the burner holes. Doing so will suffocate the flame.
- If the propane gas tank is leaking gas, you may hear, see, or smell a hiss. Do the following:
 1. Disconnect the propane gas tank.
 2. Do not attempt to fix the problem by yourself.
 3. Contact your gas supplier or fire department for help.
- Applying too much propane may result in gas pooling and will not burn. Allow fresh air into the unit so that the remaining gas may escape.
- Do not use a flame to check for gas leaks.
- The max. inlet supply pressure: max. Gas supply 11in w.c. (2.74kPa).
- Use LP propane tanks with the following dimensions: diameter 12 in, height 18 in, capacity 20 lbs.
- You must use a propane tank that has a collar to protect the gas valve.
- DO NOT fill tank over 80 percent full.
- The tank system must be set up for vapor withdrawal.
- Discontinue use if any part of the propane tank is damaged. Rust and dents may be hazardous and should be inspected by a gas supplier.
- Do not burn anything other than the provided materials for this fire table.
- Keep away from the unit for the first 20 minutes after lighting your unit for the first time, as lava rocks/pumice stones/lava glass could pop out and cause injury.
- Always ensure that lava rocks/pumice stones/lava glass are completely dry before use. Failure to do so will cause them to crack or pop.
- Do not operate unit until all parts are fully assembled.
- Do not paint or color any part of this heating unit.
- Unit may be hot while in use, do not attempt to move it while in use.
- Never leave this heating unit unattended while in use.
- This unit is not intended for cooking.
- Keep any flammable items away and do not use any other fireplace cover for this unit.
- Keep a safe distance to avoid burning skin or clothing.

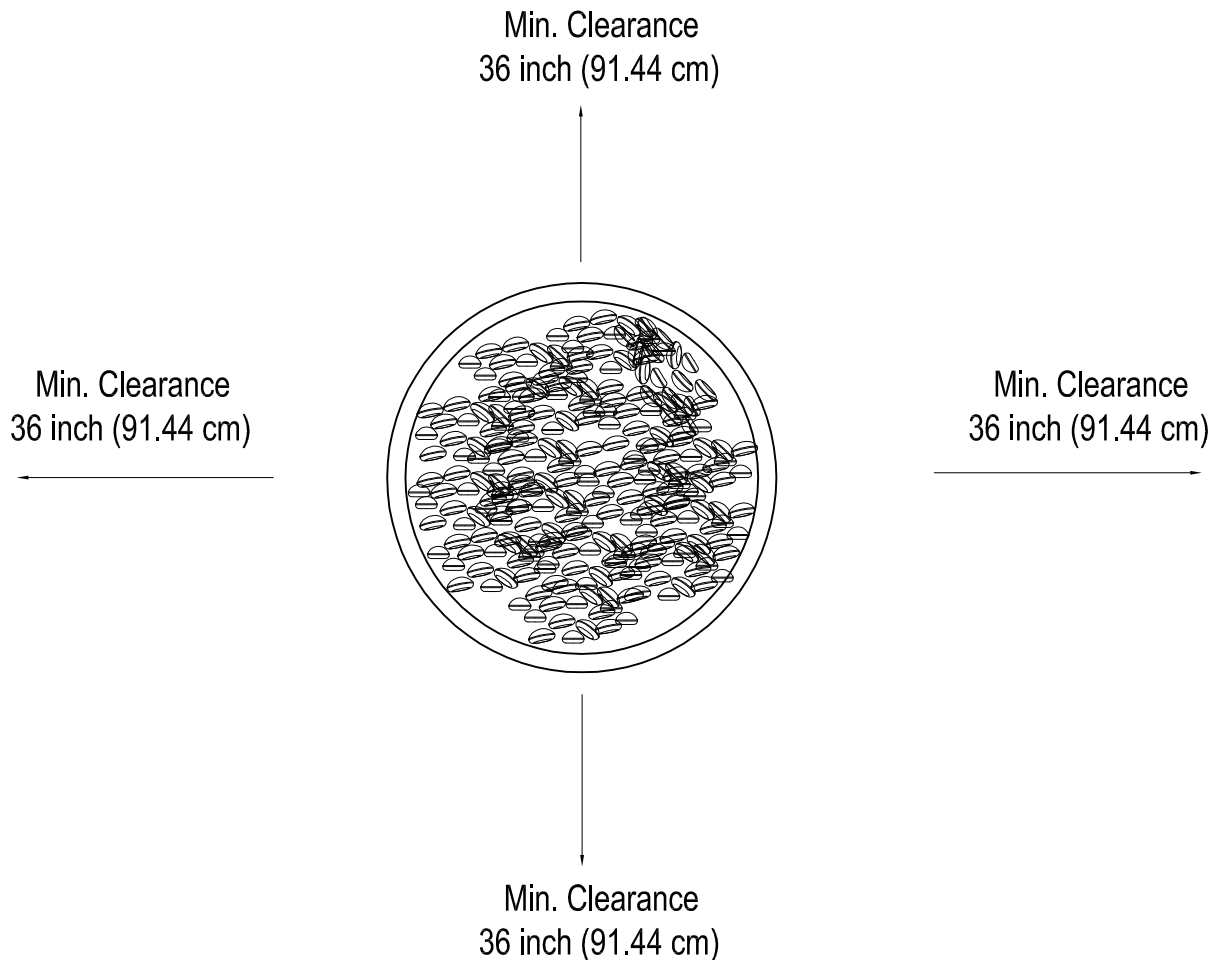
- Do not sit or rest hands or feet on this heating unit.
- Never place hands or fingers on upper portion of this unit while in use.
- Keep all electrical cords and fuel supply hose away from heated surfaces.
- Combustible material should not be within 67 inches of the top of the unit, or within 36 inches around the entire unit.
- Keep the appliance area clear and free from combustible material, gasoline and other flammable vapors and liquids.
- If the flame goes out while burning, turn the gas valve off. Wait 5 minutes before repeating the initial lighting procedure. Once you have a flame started, hold down the control knob for 1 minute.
- Do not add water into the unit.
- Do not operate unit if any part has been under water. Immediately call a qualified service technician to inspect the appliance and replace any part of the control system and any gas control that has been under water.
- Do not disconnect any part while unit is in use.
- Do not store a spare propane tank on or near this unit.
- If the heating unit is indoors, detach the propane tank and leave outdoors.
- Do not operate on a boat or vehicle. This unit must be used on a flat surface and outdoors ONLY.
- Always remove protective cover before operating (if applicable).
- Do not set the protective cover over the unit until it is turned off and completely cooled down.
- Check for leaks after not using the unit for long period of time.
- Children should never operate this unit. Children must be supervised while near this unit.
- Keep gas tank at least 5 feet away from unit when lit (if external tank).
- The maximum gas supply pressure is 250psi. The minimum gas supply pressure is 25psi.
- All installation and repair should be done by a qualified professional. This unit should be inspected annually and cleaned regularly.
- Inspect all elements of this heating unit before each use. If there is damage, the burner must be replaced.
- Keep the hose out from any pathways to eliminate any accidental damage. (if external tank)
- Be aware of the hazards of high temperatures and stay away from the unit to avoid any burns or injury.
- The gas supply tank should be constructed and marked with the specifications of the LP gas tanks of the U.S. Department of Transportation or the National Standard of Canada CAN/CSA-B339, LP gas tanks, gas tanks and tubes for Transportation of Dangerous Goods, and Commission.
- The LP gas tank must have a listed overfilling prevention device and a QCCI or Type I. (CGA810) LP gas tank connection.
- This heating appliance should not be used on plastic or artificial wood decks.
- **Children and adults should be alerted to the hazards of high surface temperatures and should stay away to avoid burns or clothing ignition.**
- **Young children should be carefully supervised when they are in the area of the appliance.**
- **Clothing or other flammable materials should not be hung from the appliance or placed on or near the appliance.**
- **Any guard or other protective device removed for servicing the appliance shall be replaced prior to operating the appliance.**
- **Installation and repair should be done by a qualified service person. The appliance should be inspected before use and at least annually by a qualified service person. More frequent cleaning may be required as necessary. It is imperative that the control compartment, burners and circulating airways of the appliance are kept clean.**

IF APPLICABLE

- Allow heating item to cool completely before placing on lid.
- DO NOT use heating item while lid is installed. Always remove the lid while heating item in use.

NOTE: You must follow all steps to properly assemble this heating item. Make sure the gas valve is turned "OFF" before assembling. Do NOT attempt to assemble without proper tools.

Combustible materials should not be within 67 inches of the top of the unit, or within 36 inches around the entire unit.



⚠ DANGER • FLAMMABLE GAS UNDER PRESSURE.

LEAKING LP-GAS MAY CAUSE A FIRE OR EXPLOSION IF IGNITED CAUSING SERIOUS BODILY INJURY OR DEATH. CONTACT LP GAS SUPPLIER FOR REPAIRS, OR DISPOSAL OF THIS CYLINDER OR UNUSED LP-GAS.

⚠ WARNING • FOR OUTDOOR USE ONLY. *

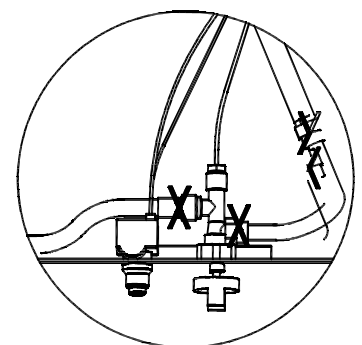
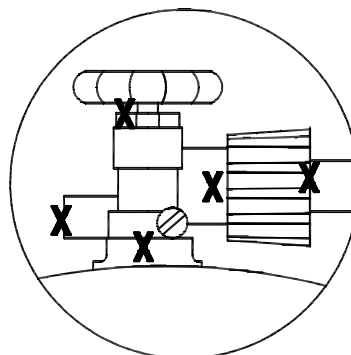
DO NOT USE OR STORE CYLINDER IN A BUILDING GARAGE OR ENCLOSED AREA.

⚠ WARNING:

- Know the odor of LP-gas. If you hear, see or smell leaking LP-gas, immediately get everyone away from the cylinder and call the Fire Department. Do not attempt repairs.
- Caution your LP-gas supplier to:
 - Be certain cylinder is purged of trapped air prior to first filling.
 - Be certain not to over fill the cylinder.
 - Be certain cylinder requalification date is checked.
- LP-gas is heavier than air and may settle in low places while dissipating.
- Contact with the liquid contents of cylinder will cause freeze burns to the skin.
- Do not allow children to tamper or play with cylinder.
- When not connected for use, keep cylinder valve turned off. Self contained appliances shall be limited to a cylinder of 30 lb capacity or less.
- Do not use, store or transport cylinder where it would be exposed to high temperatures. Relief valve may open allowing a large amount of flammable gas to escape.
- When transporting, keep cylinder secured in an upright position with cylinder valve turned off.

WHEN CONNECTING FOR USE:

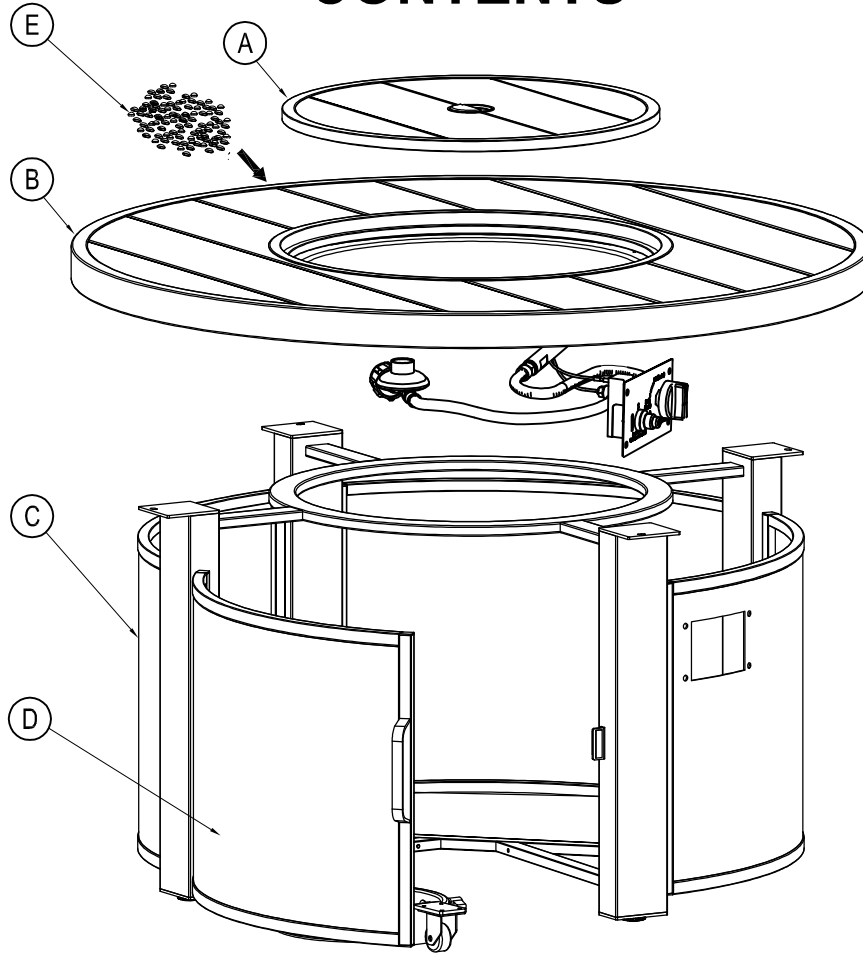
- Use only in compliance with applicable codes.
- Read and follow manufacturer's instructions.
- Consult manufacturer's instructions concerning the cylinder connection provided with your appliance.
- Be sure regulator vent is not pointing up.
- Turn off all valves on the appliance.
- Do not check for gas leaks with a match or open flame. Apply soapy water at areas marked "X". Open cylinder valve. If bubble appears, close valve and have LP-gas service person make needed repairs. Also, check appliance valves and connections to make sure they do not leak before lighting appliance.
- Light appliance(s) following manufacturer's instructions.
- When appliance is not in use, keep the cylinder valve closed.



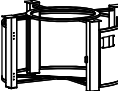

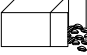

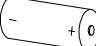


**DO NOT REMOVE, DEFACE, OR OBLITERATE THIS LABEL
*EXCEPT AS AUTHORIZED BY ANSI/NFPA 58.**

⚠ DANGER. Do not store a spare LP cylinder under or near a barbecue grill, or other heat sources. NEVER fill an LP cylinder beyond 80% full: a fire causing death or serious injury may occur.

CONTENTS

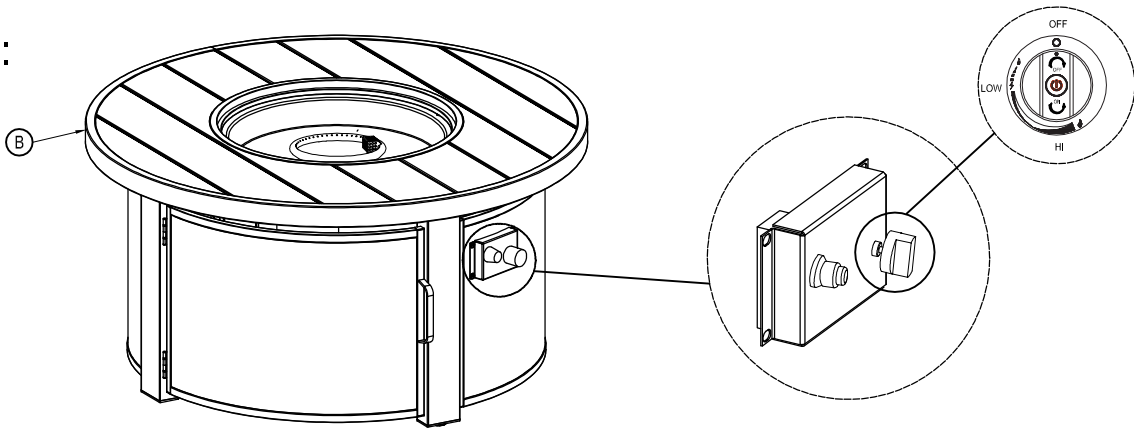


No	Hardware		Q'ty
A	Bunner Lid		1 pc
B	Table Top		1 pc
C	Table Base		1 pc
D	Door		1 pc
E	Glass Beads		1 pc
F	Velcro string		1 pc
G	AA Battery 1.5V		1 pc

Hardware Pack Location(s): No Hardware. For any component replacement, please contact the supplier or manufacturer.

*****Caution:** Please read this instruction carefully before starting the assembly process, make sure all parts are present. Do not completely fasten each screw until all the bolts are properly fixed. These parts are cumbersome and heavy, 2 person assembly is recommended in order to prevent personal injury and parts damage.

STEP 1:

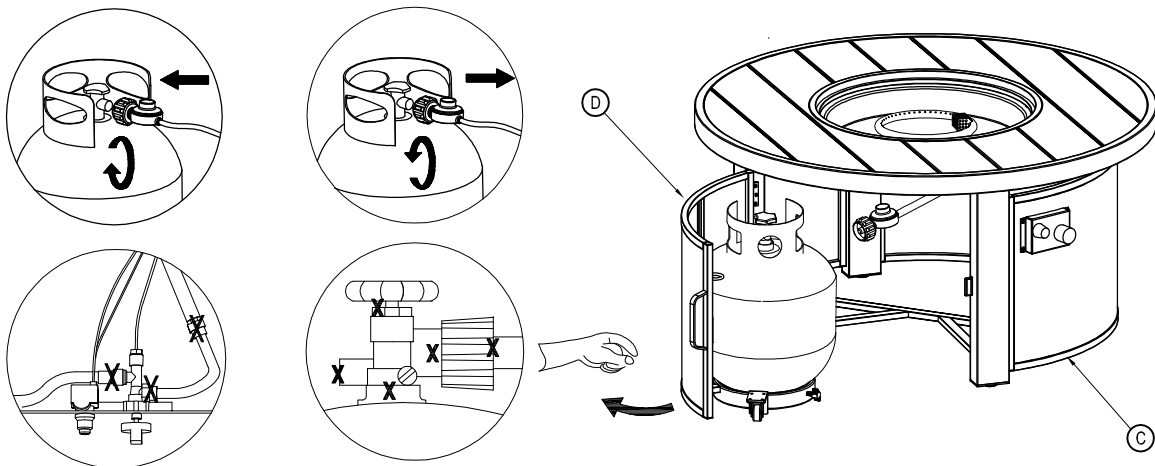


▲ WARNING:

Failure to position the parts in accordance with these diagrams or failure to use only parts specifically approved with appliance may result in property damage or personal injury.

Check that the control knob for the gas supply system is turned to the "OFF" position starting an assembly.

STEP 2:



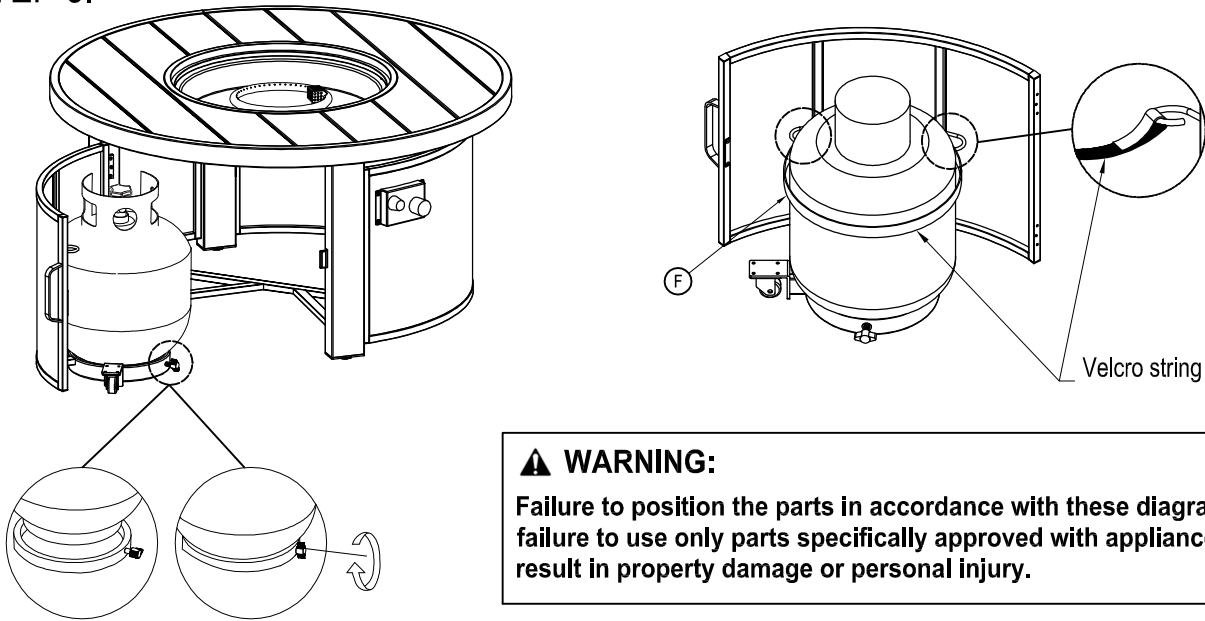
▲ WARNING:

Failure to position the parts in accordance with these diagrams or failure to use only parts specifically approved with appliance may result in property damage or personal injury.

Open the Door (D). Turn the cylinder valve on the tank clockwise to close the propane tank. Attach the pre-assembled regulator from the table base (C) to the cylinder valve by turning the regulator coupling nut clockwise. Make sure it is fastened securely and tighten connections by hand only.

*****Caution:** Please read this instruction carefully before starting the assembly process, make sure all parts are present. Do not completely fasten each screw until all the bolts are properly fixed. These parts are cumbersome and heavy, 2 person assembly is recommended in order to prevent personal injury and parts damage.

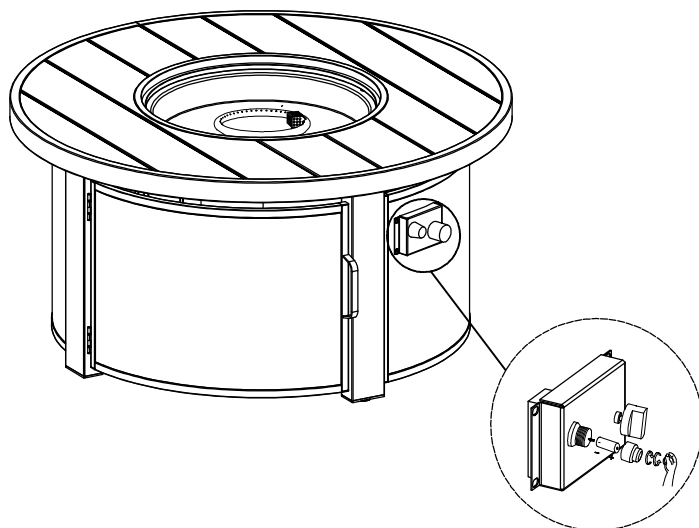
STEP 3:



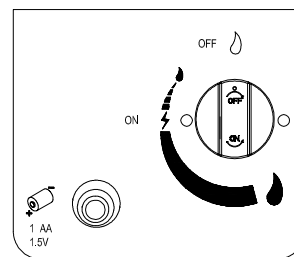
⚠ WARNING:
 Failure to position the parts in accordance with these diagrams or failure to use only parts specifically approved with appliance may result in property damage or personal injury.

Place propane gas tank (not included) into the drawer base. Make sure the gas tank sits on the drawer base completely. Turn the pre-assembled wing screw on the outer part of drawer base clockwise to secure the propane gas tank tightly.
 Use the provided Velcro string (F) to further secure the gas tank. Loop the strap through the side brackets and fasten securely to prevent the tank from moving

STEP 4:



⚠ WARNING:
 Failure to position the parts in accordance with these diagrams or failure to use only parts specifically approved with appliance may result in property damage or personal injury.



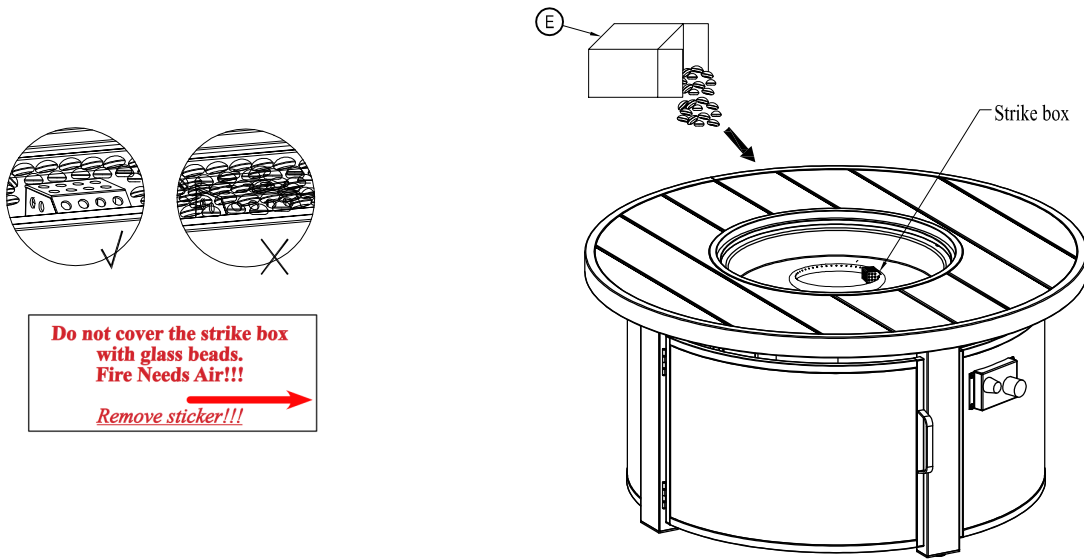
Remove the rubber cap on the electronic igniter by unscrewing and slide battery into the battery slot.
 Make sure the positive side of the battery faces.

*****Caution:** Please read this instruction carefully before starting the assembly process, make sure all parts are present. Do not completely fasten each screw until all the bolts are properly fixed. These parts are cumbersome and heavy, 2 person assembly is recommended in order to prevent personal injury and parts damage.

STEP 5:

⚠ WARNING:

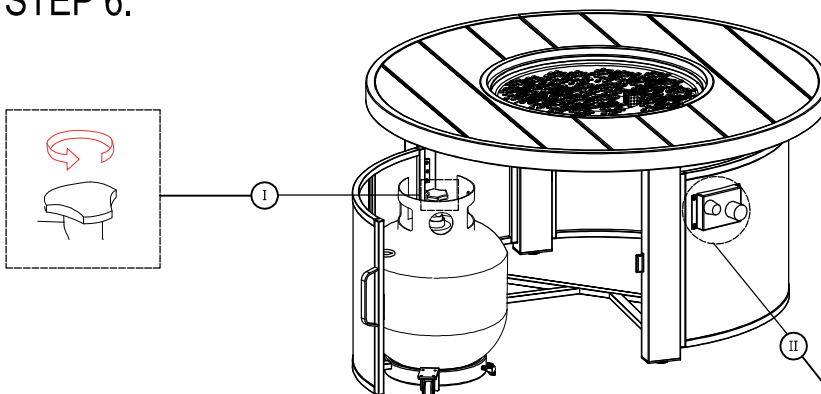
Failure to position the parts in accordance with these diagrams or failure to use only parts specifically approved with appliance may result in property damage or personal injury.



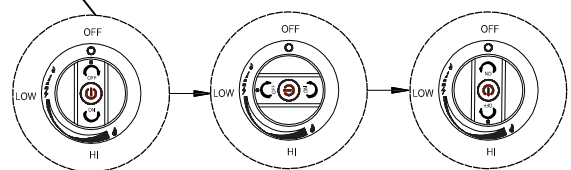
Pour the box of glass beads (E) into the firepit.

⚠ CAUTION: To ensure proper function, the guard on this burner should be free of cobblestone at all time.

STEP 6:



1. Open the gas tank valve.
2. Turn the control knob to the Low fire position.
3. Press the igniter until the fire starts.
4. After ignition, turn the knob to the High fire position.

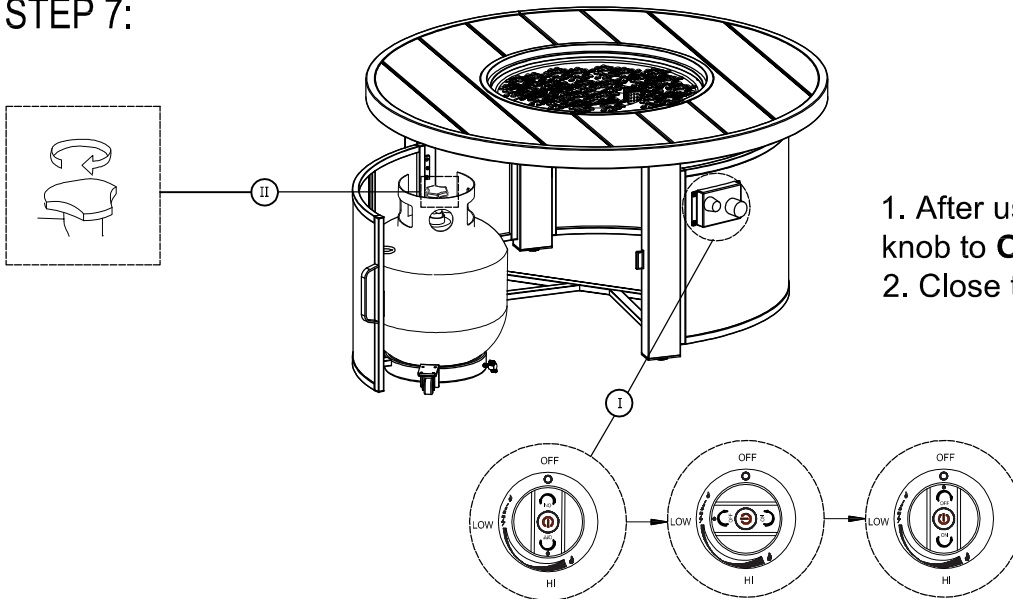


⚠ WARNING:

Failure to position the parts in accordance with these diagrams or failure to use only parts specifically approved with appliance may result in property damage or personal injury.

*****Caution:** Please read this instruction carefully before starting the assembly process, make sure all parts are present. Do not completely fasten each screw until all the bolts are properly fixed. These parts are cumbersome and heavy, 2 person assembly is recommended in order to prevent personal injury and parts damage.

STEP 7:

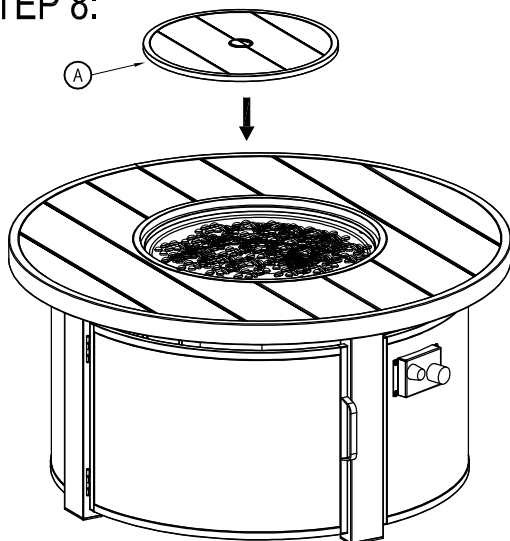


1. After use, turn the control knob to **OFF**.
2. Close the gas tank valve.

⚠ WARNING:

Failure to position the parts in accordance with these diagrams or failure to use only parts specifically approved with appliance may result in property damage or personal injury.

STEP 8:



⚠ WARNING: When the fire pit is not in use, and after it has cooled completely, cover it with the burner cover. **DO NOT** put the burner cover on a hot fire pit.

⚠ WARNING:

Failure to position the parts in accordance with these diagrams or failure to use only parts specifically approved with appliance may result in property damage or personal injury.

Put burner lid (A) onto the fire bowl.

IMPORTANT SAFETY INSTRUCTIONS

When using electrical furnishings, basic precautions should always be followed, including the following:

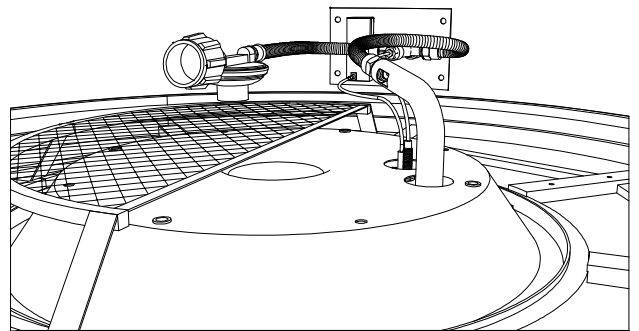
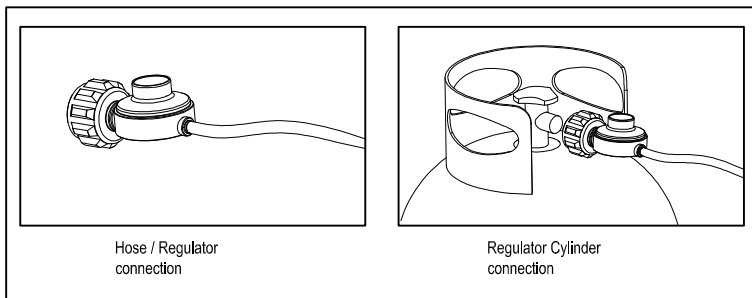
Read all instructions before using this furnishing.

To reduce the risk of injury to persons:

1. Close supervision is necessary when this furnishing is used by or near children or disabled persons, if applicable
2. Use this furnishing only for its intended use as described in these instructions. Do not use attachments not recommended by the manufacturer.

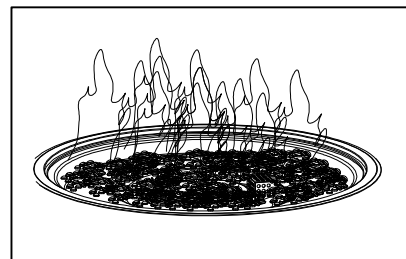
OPERATION

Before performing a leak test, be sure that no sparks can occur and you are in a spacious outdoor area. Connect the propane gas tank to the regulator and turn the valve on the unit to the "off" position. Brush a soap and water mixture on all connections. Turn the gas supply on; if bubbles occur on any connection there may be a leak. **If you smell gas or a leak is discovered turn the gas valve off, turn the regulator on the tank counter clockwise, disconnect propane gas tank and do not use the appliance until the leak is repaired.**



Do not use the heating unit without inspecting the gas hose. Inspect the hose assembly for evidence of excessive abrasion, cuts, or wear. Suspected areas should be leak tested. If the hose leaks, it must be replaced prior to operation. Only use the replacement hose assembly specified by manufacturer. The burner must be replaced prior the appliance being put into operation if it is evident that the burner is damaged. The replacement burner should be specified by manufacturer. Pumice stones/lava rocks/LavaGlass™ could pop up and strike somebody's face during the process of lighting this unit, stand away from the unit for the first 20 minutes after igniting. Flame height should be a yellow/blue color between 2-10 inches in height in Figure 1.

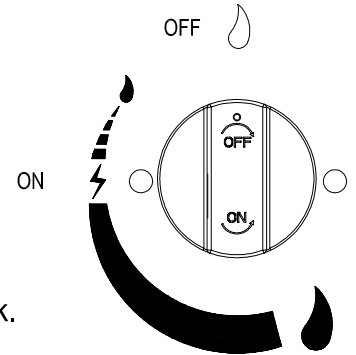
Wait 5 minutes after extinguishing flame prior to placing a lid (if applicable) or protective cover on heating item.



WARNING: IF YOU DO NOT FOLLOW THESE INSTRUCTIONS EXACTLY, A FIRE OR EXPLOSION MAY RESULT, CAUSING PROPERTY DAMAGE, PERSONAL INJURY, OR LOSS OF LIFE.

To Light

1. Make sure the control knob (6) is in the "OFF" position.
2. Open the concealed gas tank door, then slowly open the valve on the propane tank.
3. Close the concealed gas tank door.
4. Push the ignition control knob (6) in and turn counterclockwise to the "LOW" position, this will ignite the fuel.
5. If ignition does NOT immediately take place in seconds, push and turn the ignition control knob (6) clockwise to "OFF". Wait 5 minutes, then repeat the lighting procedure as above.
6. Once the fire product is lit, the flame intensity may be controlled by turning the control knob (6) between the "LOW" and "HIGH" positions.



To Extinguish

1. Turn control knob (6) clockwise to the "LOW" position; let the knob pop up and continue turning the control knob (6) to the "OFF" position.
2. Close the cylinder valve on the propane gas tank if you don't intend to use it for a long time.

MAINTENANCE

- Before performing any maintenance always disconnect propane gas tank.
- Keep the heating item free and clear from combustible materials.
- Visually inspect burner for obstructions and keep tank enclosure free and clear from debris.
- Use a soft brush to get rid of the mild stains, loose dirt and soil after the burner and pumice stones/lava rocks/LavaGlass™ are completely cooled down. Wipe down with a soft cloth.
- Harsh weather conditions may cause stubborn stains, discoloration and possibly pitting.
- Permanent damage may occur if powder or solvent comes in contact with painted or plastic components of this heating unit.
- Keep the heating unit stored away from direct sunlight.
- If storing this unit inside, disconnect propane gas tank from the gas valve.
- Not using manufacturer approved or supplied parts/accessories may result in a defective condition and void the warranty of this heating unit.
- Always place lid (if applicable) or protective cover on heating item when not in use.

TROUBLESHOOTING

Problem	Cause	Solution
Heating unit won't light	Igniter pin and burner are wet	Dry off with a soft cloth
	Igniter battery is incorrectly inserted	Check which direction the battery is inserted
	Igniter pin is broken	Contact manufacturer for a replacement part
	Electrode wire is loose or disconnected	Reconnect wire to igniter box
	Electrode wire is shorting between valve and igniter pin	Contact manufacturer for replacement
	No gas flow	Check that the gas tank isn't empty
Burner won't light while using a match	Regulator isn't connected securely to the tank	Tighten regulator connection to the gas tank
	Gas flow is obstructed	Check all hoses for kinks and bends
	Burner ports are clogged	Turn all gas flow connections off. Insert an opened paperclip into each port to clean
Heating unit emits a lot of black smoke	Flame is obstructed at burner ports	Check all ports are free of lava glass/debris
	Regulator hose is kinked	Straighten hose
	No gas flow	Check gas tank
Sudden drop in gas flow	Excess flow safety valve has been activated	Turn the control knob to the "off" position. Close the tank valve and disconnect propane gas tank. Turn the control knob to "high", wait 1 minute. Turn the control knob back to the "off" position. Reconnect propane gas tank. Light the unit as indicated in the "To light" section of this manual.
Flame blows out easily	High or gusting winds	Increase flame to "high"
	No gas flow	Check gas tank
	Excess flow safety valve activated	See reset steps above

WARRANTY

The manufacturer warranty will be voided by, and manufacturer disclaims any responsibility for the following actions:

- Modification of the unit and/or components including the gas valve assembly.
- Use of any component part not manufactured or approved.
- Use and installation other than what is listed in this manual.

Please contact the manufacturer for replacement parts.

CONTACT

If you have any questions or concerns, please contact the manufacturer.

Company at below resources:

Company	VIET MY DONG NAI PRODUCTION AND TRADING JOINT STOCK COMPANY
Address	Lot N8, Dau Giay IP, Dau Giay Commune, Dong Nai Province, Vietnam
Model No	79854329
Phone	(+84) 251 378 6868
Email	info@vmd-jsc.com
Online	https://www.vmd-jsc.com/

WARNING:

- Table is not to be used as a seating surface. Improper use of this product or failure to use may result in injury.
- Do not use abrasives or sharp tools when cleaning surface.
- During freezing weather, store the table in a dry area with a suitable cover.
- Ensure the table is clean and dry before storage.