



# Assembly Instructions

RETG 1420-50H QN PANEL HEADBOARD - SKU# 32314205

RETG 1420-50F QN PANEL FOOTBOARD - SKU# 32714203

RETG 1420-50R QN/KG SIDE RAIL - SKU# 32914207

Manufactured by RETG for Rooms To Go

Version#1 - 16/04/2024

**\*\*\* Caution : Please read all instructions carefully before starting the assembly process. These parts are cumbersome and heavy. Therefore, two people are recommended in order to prevent personal injury and insure the parts are not damaged during the assemble.**

## PARTS LIST

No.	Description	Sketch	Q'ty
1	Panel Headboard		1 Pc
2	Panel Footboard		1 Pc
3	Slats		5 Pcs
4	Long Slat Support		5 Pcs
5	Short Slat Support		5 Pcs

## HARDWARE LIST

No.	Description	Zize	Sketch	Q'ty
A	Screw	M4 x 1"		10 Pcs
B	Allen Key Z	M4		1 Pc

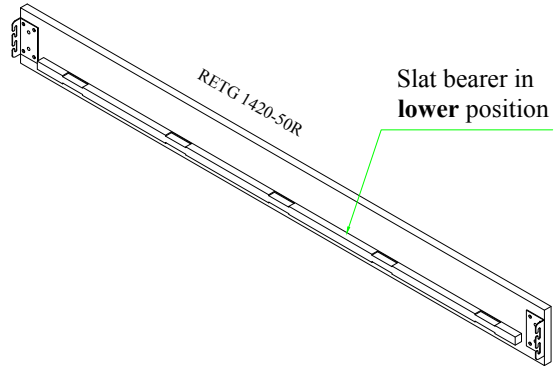
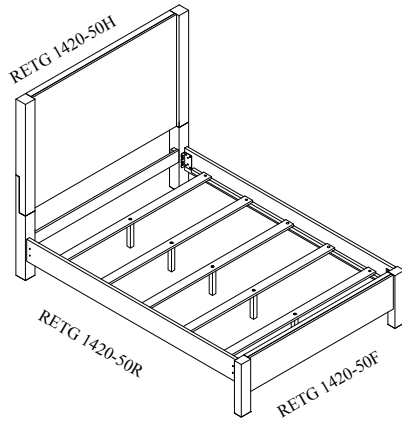
## TOOLS REQUIRED (NOT PROVIDED)

Description	Sketch
Phillips screwdriver	

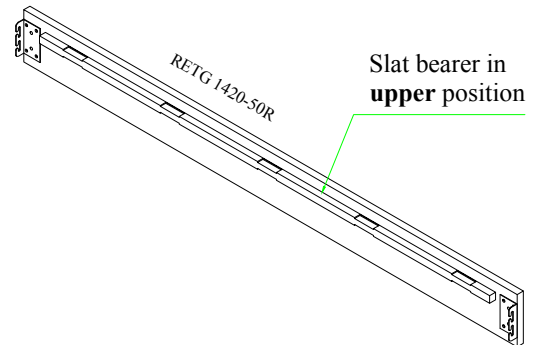
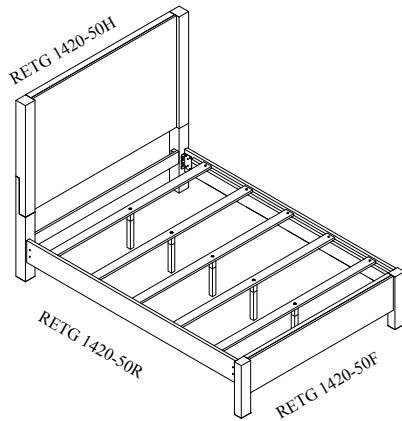
## PARTS LIST

No.	Description	Sketch	Q'ty
6	Side Rail		2 Pcs

### OPTION - 1



### OPTION - 2



### Hardware Pack Location (s):

RETG 1420-50F QN PANEL FOOTBOARD - SKU# 32714203



# Assembly Instructions

RETG 1420-50H QN PANEL HEADBOARD - SKU# 32314205

RETG 1420-50F QN PANEL FOOTBOARD - SKU# 32714203

RETG 1420-50R QN/KG SIDE RAIL - SKU# 32914207

Manufactured by RETG for Rooms To Go

Version#1 - 16/04/2024

**\*\*\* Caution : Please read all instructions carefully before starting the assembly process. These parts are cumbersome and heavy. Therefore, two people are recommended in order to prevent personal injury and insure the parts are not damaged during the assemble.**

## **OPTION - 1: Assembly QN Bed with Slat Bearer in Lower Position**

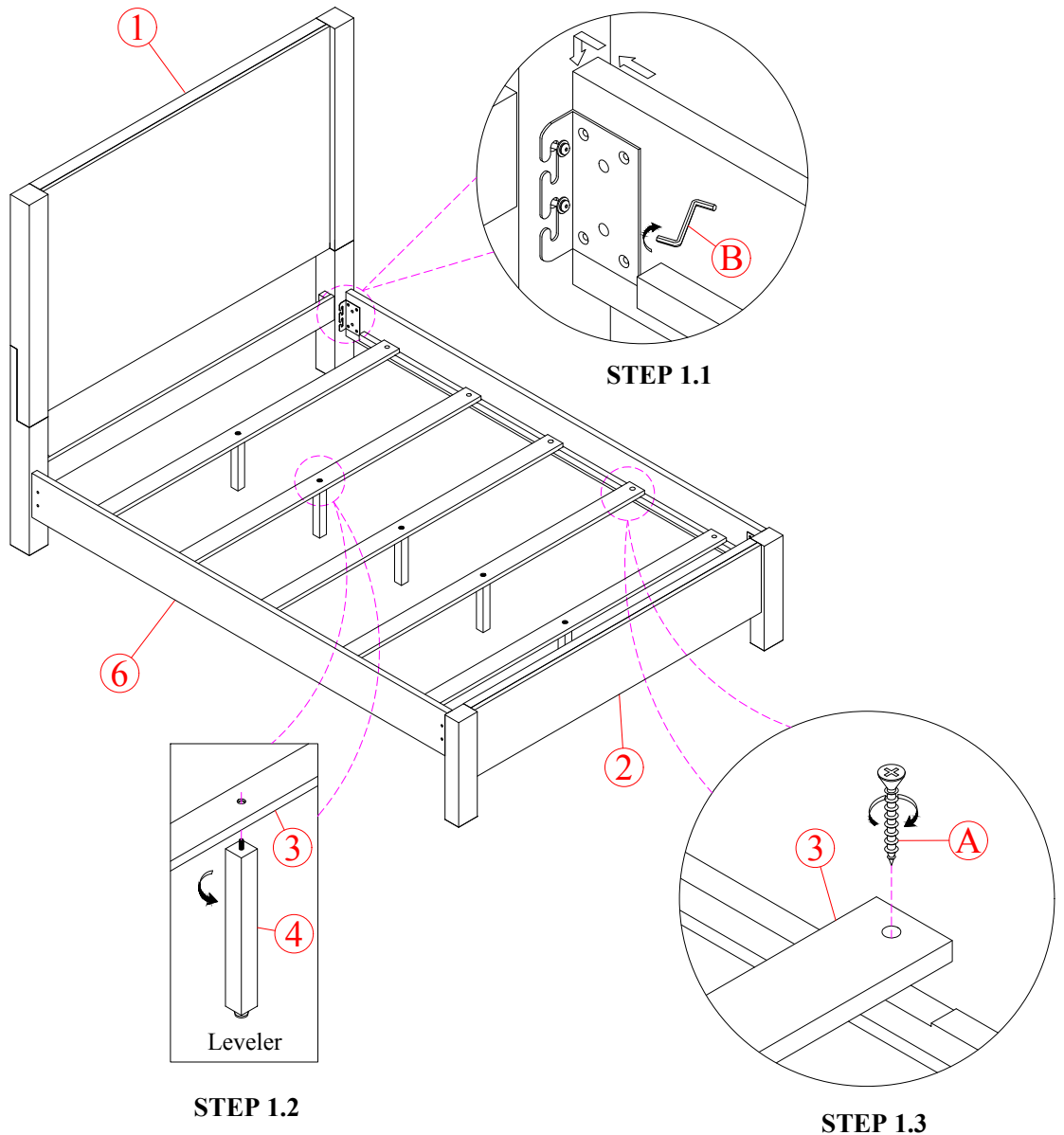
*Remark:*

+ Do not fully tighten all bolts until assembly is complete

**STEP 1.1:** Assemble the Side Rails to the Headboard. Use a allen key to tight the nut. Similarly, install the Side Rails for the Footboard.

**STEP 1.2:** Assemble the Slat support to the Slat. When installing, the Slat support needs to be tightened to fit your hand and adjust Leveler on Support Legs for balance.

**STEP 1.3:** Place the Slat in the correct position on Side Rails. Then use a screwdriver to screw Slats into the Side Rails to secure it. Screwdriver (Not Provided) .



### **Hardware Pack Location (s):**

RETG 1420-50F QN PANEL FOOTBOARD - SKU# 32714203



# Assembly Instructions

RETG 1420-50H QN PANEL HEADBOARD - SKU# 32314205

RETG 1420-50F QN PANEL FOOTBOARD - SKU# 32714203

RETG 1420-50R QN/KG SIDE RAIL - SKU# 32914207

Manufactured by RETG for Rooms To Go

Version#1 - 16/04/2024

**\*\*\* Caution : Please read all instructions carefully before starting the assembly process. These parts are cumbersome and heavy. Therefore, two people are recommended in order to prevent personal injury and insure the parts are not damaged during the assemble.**

## **OPTION - 2: Assembly QN Bed with Slat Bearer in Upper Position**

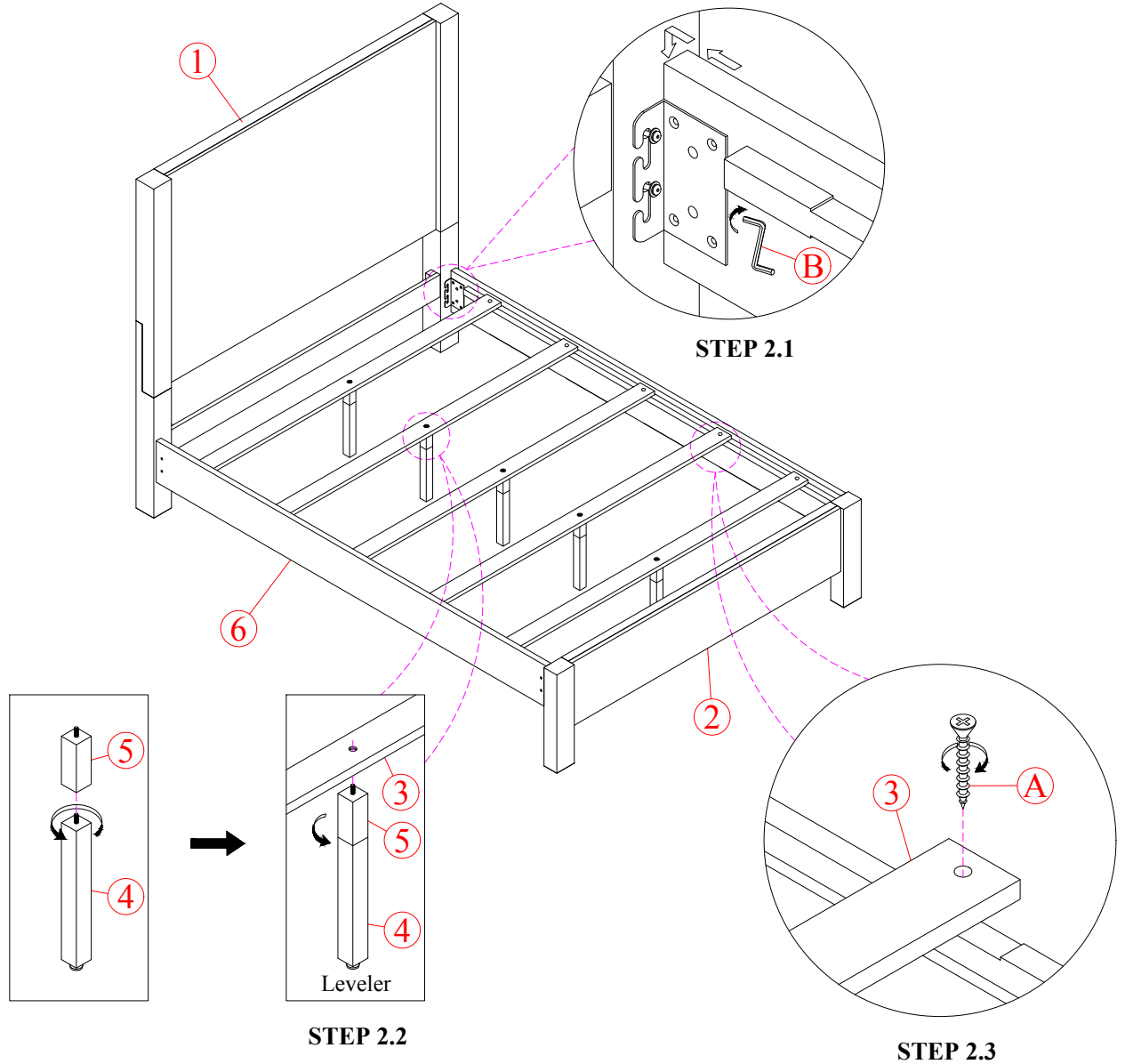
*Remark:*

+ Do not fully tighten all bolts until assembly is complete

**STEP 2.1:** Assemble the Side Rails to the Headboard. Use a allen key to tight the nut. Similarly, install the Side Rails for the Footboard.

**STEP 2.2:** screw the short support slat into the long support slat. Then, screw the newly installed bar into the bed slats. When installing, you need to tighten the Slat support bar to fit your hand and adjust the Leveler on the Support Stand for balance .

**STEP 2.3:** Place the Slat in the correct position on Side Rails. Then use a screwdriver to screw Slats into the Side Rails to secure it. Screwdriver (Not Provided) .



### **Hardware Pack Location (s):**

RETG 1420-50F QN PANEL FOOTBOARD - SKU# 32714203