


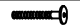



Read this instruction carefully. See hardware and furniture part list for guidance.  
 Be sure all parts are complete before assembly. Place all wooden furniture parts on a clean and flat soft surface to prevent from being scratched.  
 Follow the figure to start assembling.

**CAUTION :** 1. Do not FULLY - TIGHTEN the nuts or nuts bolts until they are ready for assembly.  
 2. Do not OVER - TIGHTEN the nuts or bolts to avoid causing damages to the thread.  
 3. Keep all hardware parts out of reach of children.

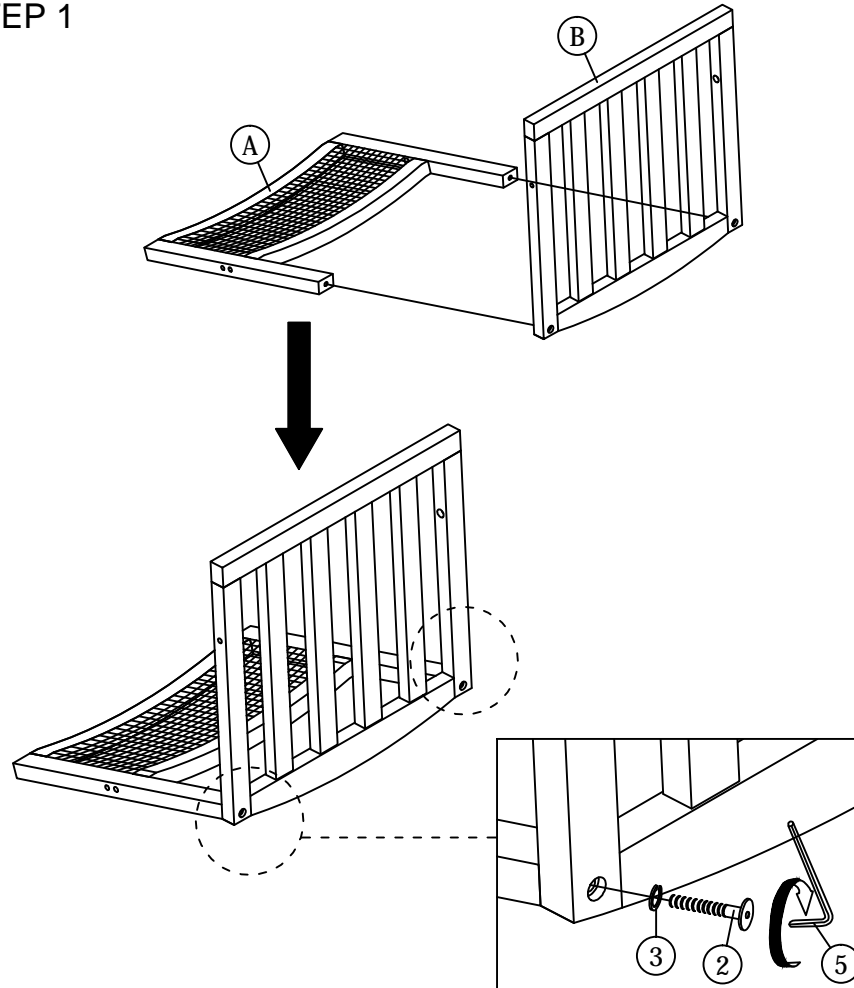
**NOTE :** THE LIST AND QUANTITY SHOWN ARE FOR 1 UNIT ASSEMBLY.

Tools needed : Screwdriver (not provided).

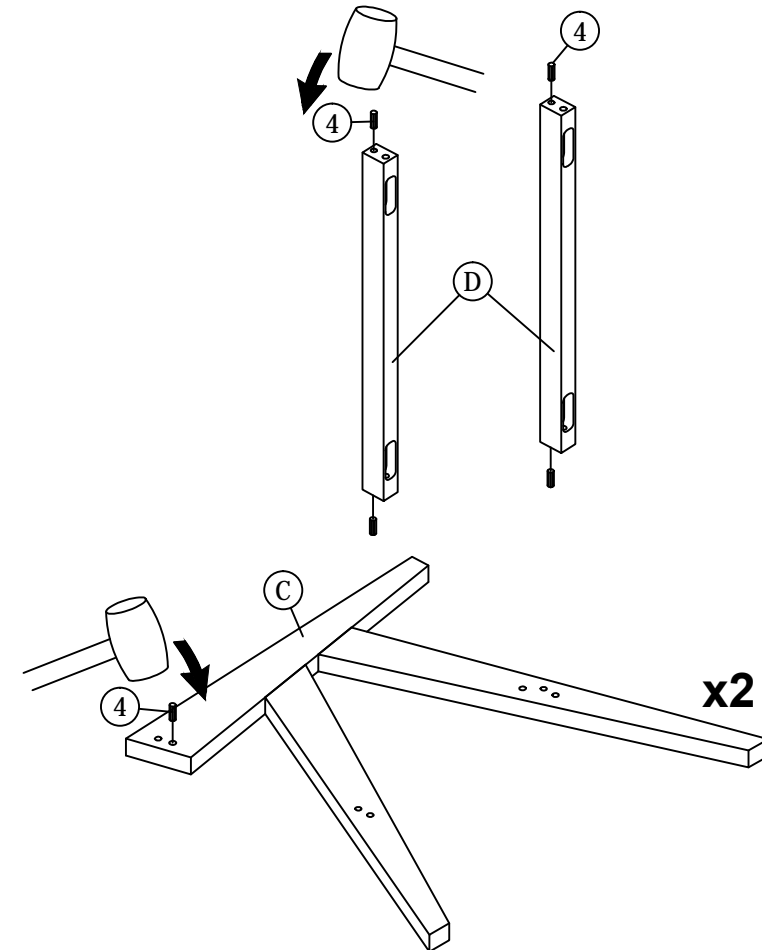
PART LIST			
ITEM	DESCRIPTION	BOX	QTY
A	BACK	1	1 PC
B	SEAT	1	1 PC
C	ARM	1	2 PCS
D	SUPPORT RAIL	1	2 PCS
E	CUHSION	1	1 PC

HARDWARE LIST (BOX : 1)		
ITEM	DESCRIPTION	QTY
1	JCBC BOLT M6 x 50mm 	8 PCS
2	JCBC BOLT M6 x 40mm 	2 PCS
3	M6 SPRING WASHER 	10 PCS
4	WOOD DOWEL M8 x 30mm 	6 PCS
5	M4 ALLEN KEY (BALL SHAPE) 	1 PC

## STEP 1

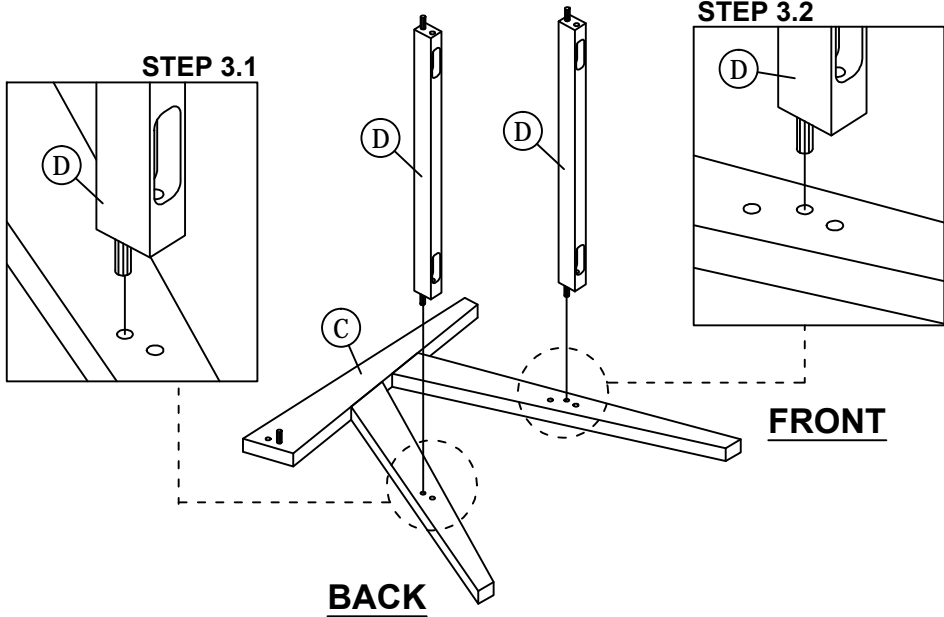


## STEP 2

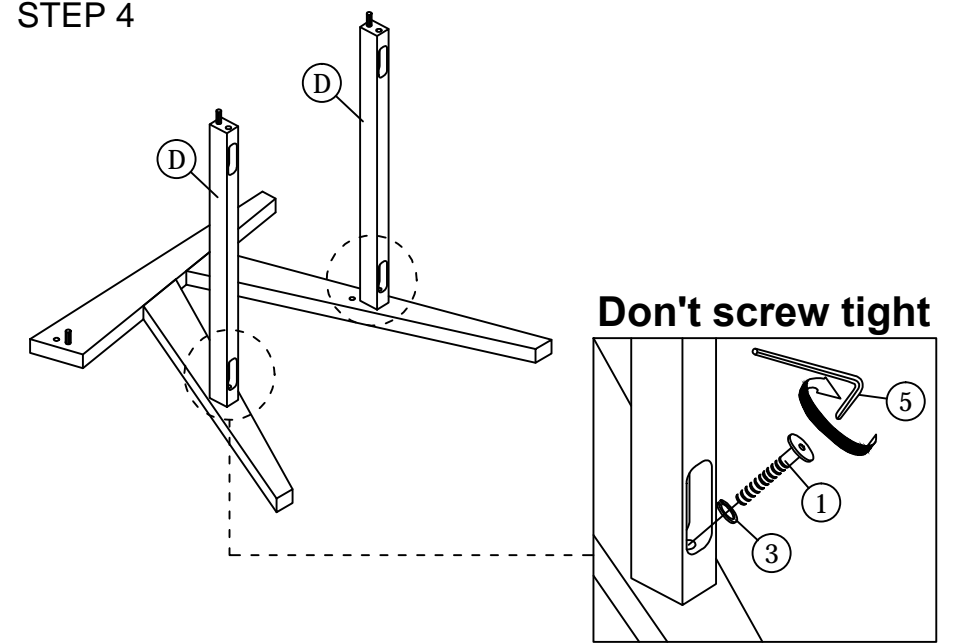


# ASSEMBLY INSTRUCTIONS

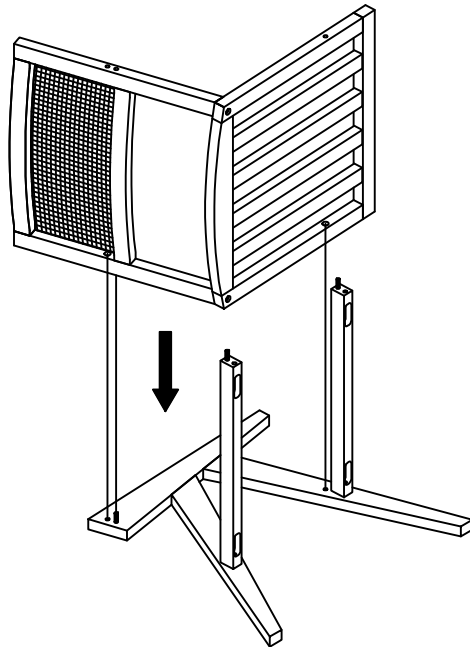
## STEP 3



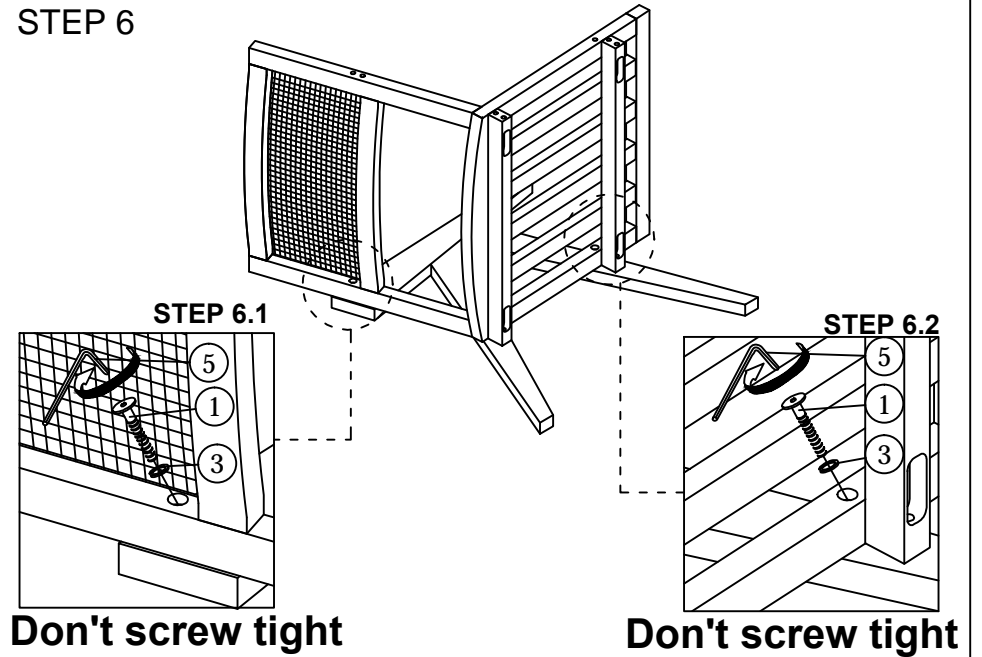
## STEP 4



## STEP 5

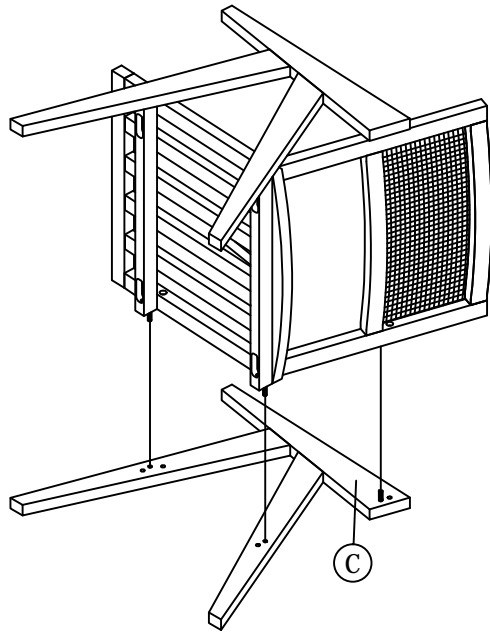


## STEP 6



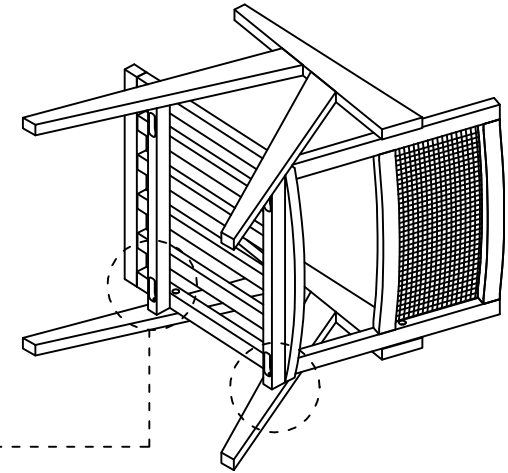
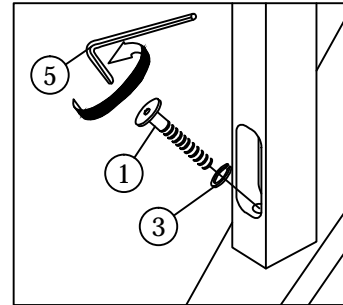
# ASSEMBLY INSTRUCTIONS

STEP 7

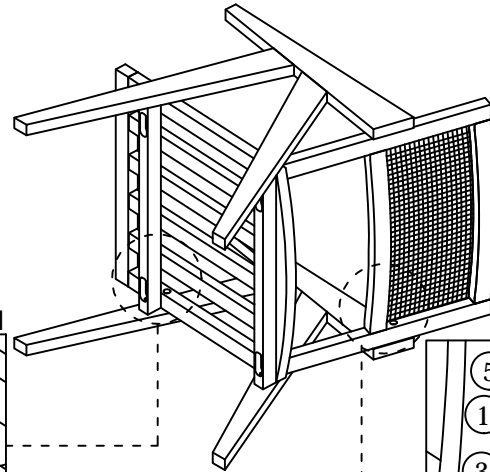


STEP 8

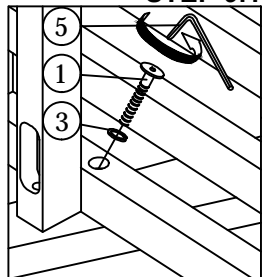
**Don't screw tight**



STEP 9

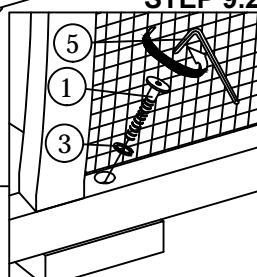


STEP 9.1



**Don't screw tight**

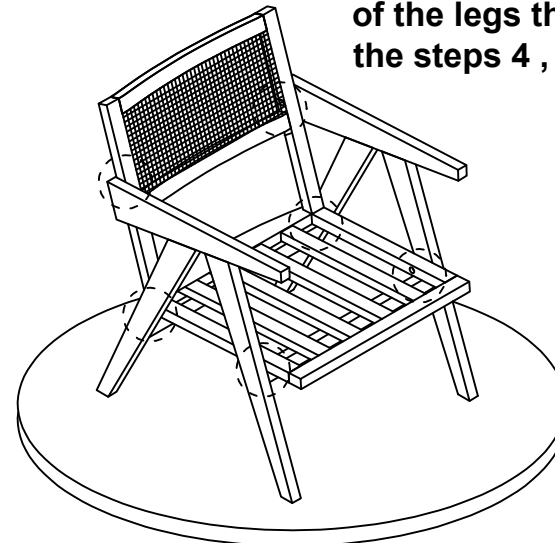
STEP 9.2



**Don't screw tight**

STEP 10

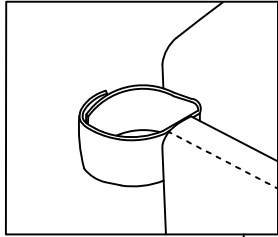
**Place the chair on the flat surface and adjust the alignment and balance of the legs then , Please screw tight the steps 4 , 6 , 8 & 9 bolts.**



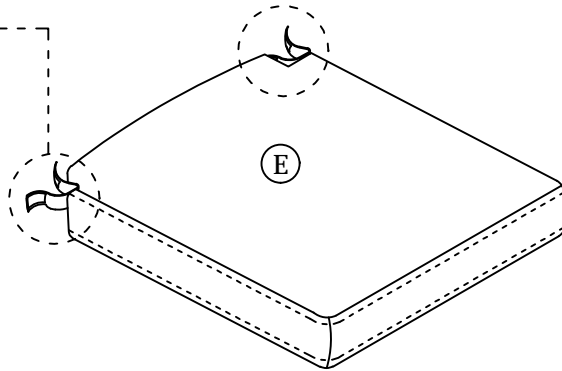
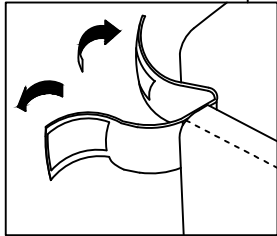
# ASSEMBLY INSTRUCTIONS

## STEP 11

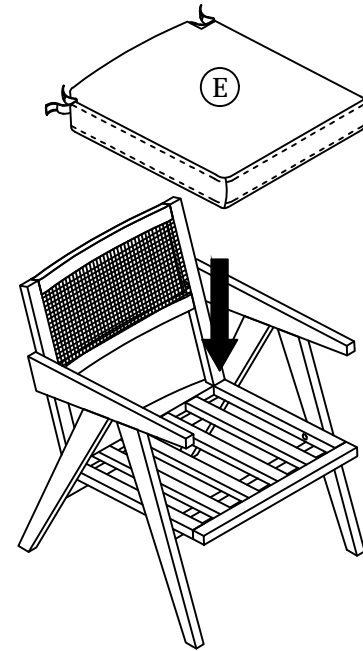
### STEP 11.1



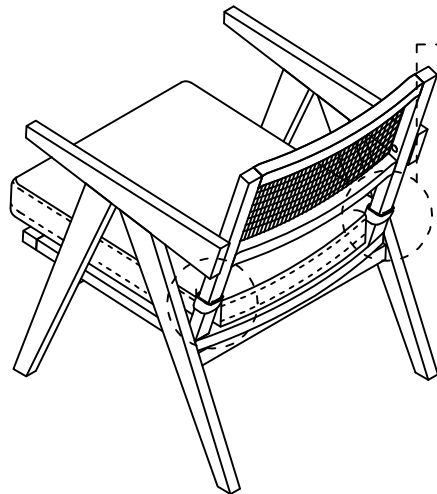
### STEP 11.2



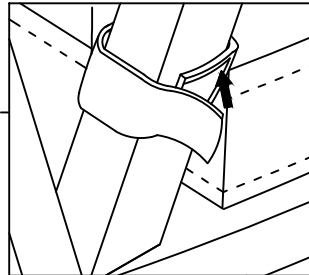
## STEP 12



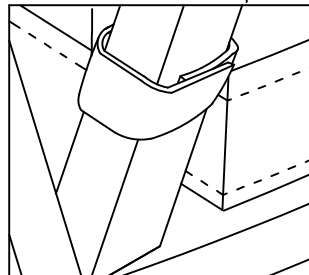
## STEP 13



### STEP 13.1



### STEP 13.2



## STEP 14

