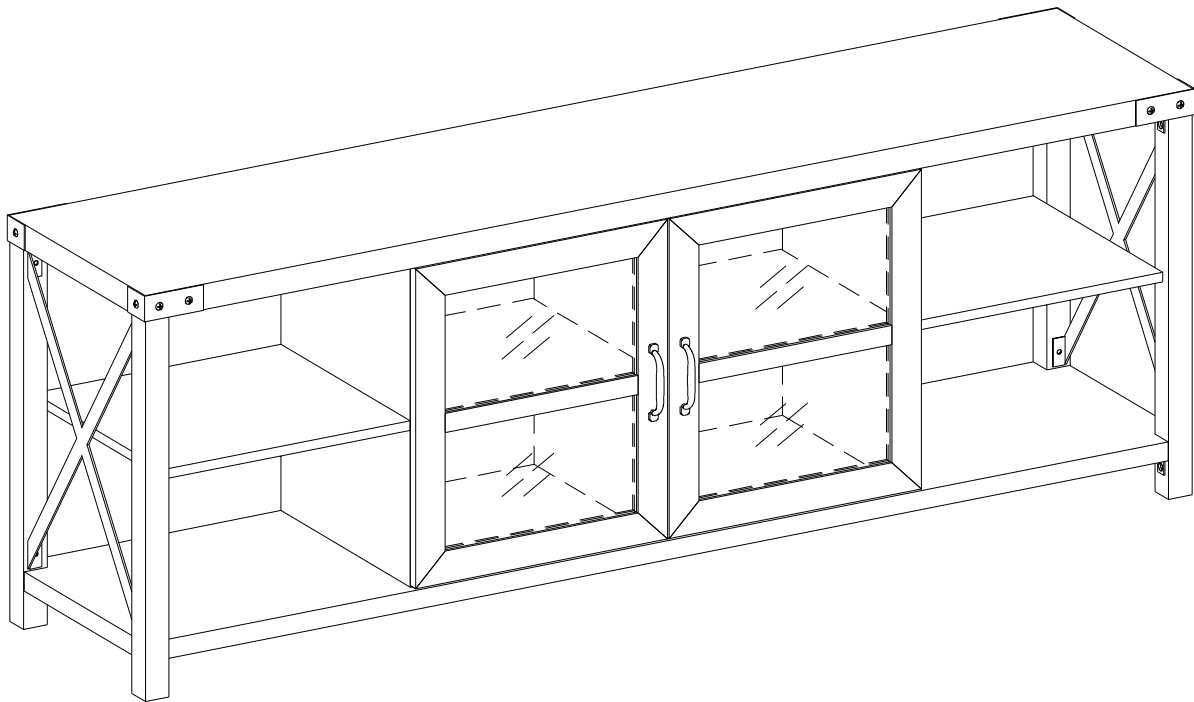


Item # : W70MX2D

Assembly Instructions



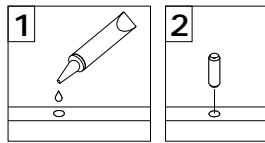
Walker Edison®

Please visit our website for the most current instructions, assembly tips, report damage,
or request parts. www.walkeredison.com

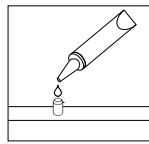
Revised 23/04/2019 (E)

General Assembly Guidelines

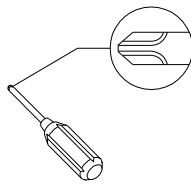
- I. Ensure that all parts and hardware are available before beginning assembly.
- II. Follow each step carefully to ensure the proper assembly of this product.
- III. Two people are recommended for ease in the assembly of this product.
- IV. The three main types of hardware used to assemble this product are: wood dowels, screws and bolts.
- V. The provided glue is to secure wood dowels in place. When first inserting dowels, locate the appropriate hole for the dowel, place a small amount of glue in the hole and insert the dowel. Wipe away excess glue immediately.



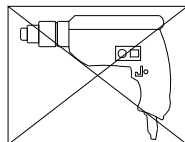
In future assembly steps when dowels are necessary to attach assembly parts together, place a small amount of glue on the end of the dowel before attaching parts together. Wipe away excess glue immediately.



- VI. A Phillips head screwdriver is required for the assembly of this product .

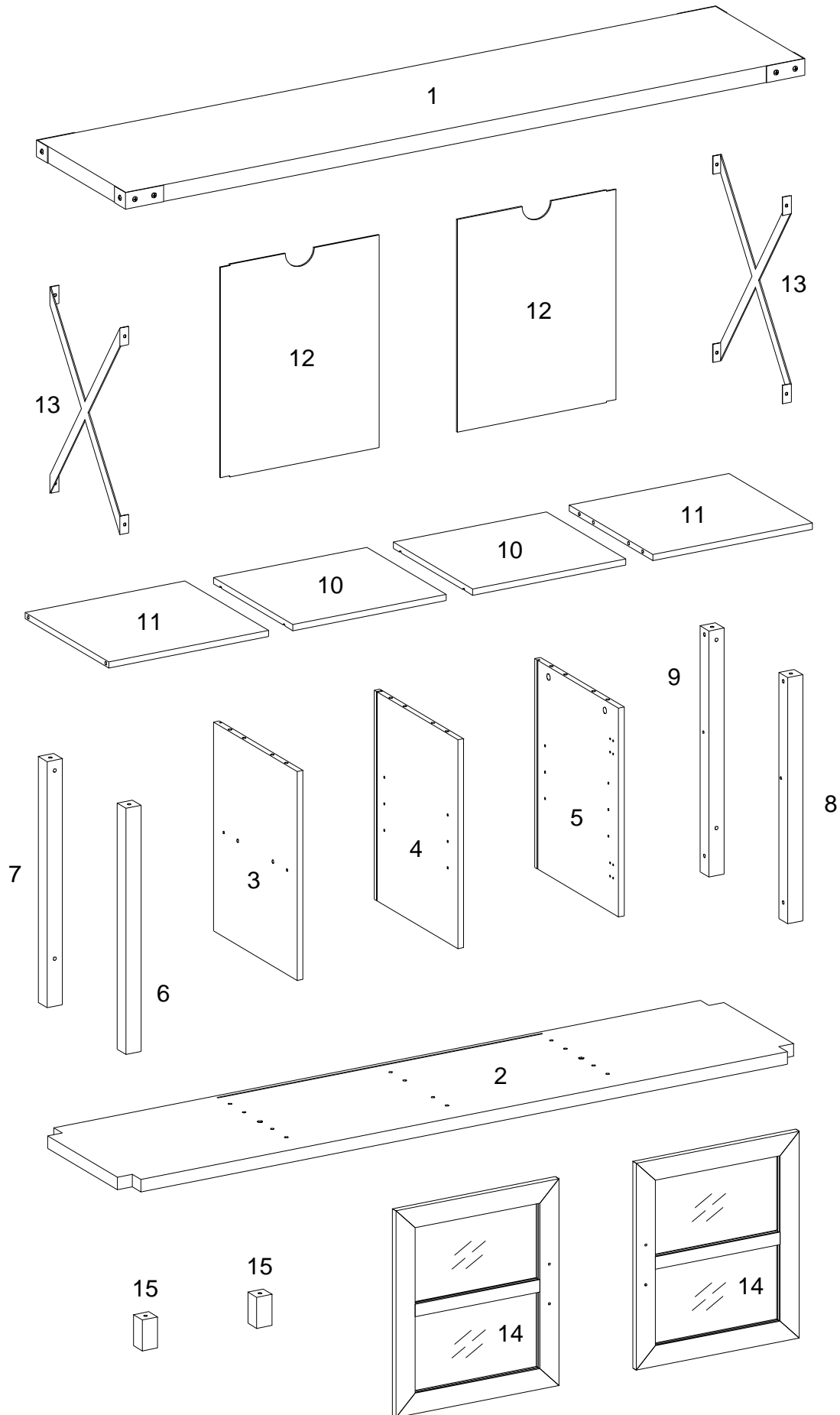


- VII. Power tools should not be used to assemble this product.


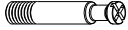


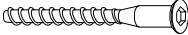




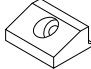

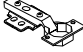
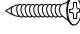
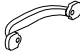





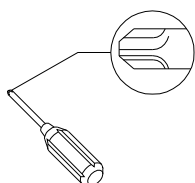
- VIII. Drill may be needed for securing product to wall.

Parts List



Hardware List

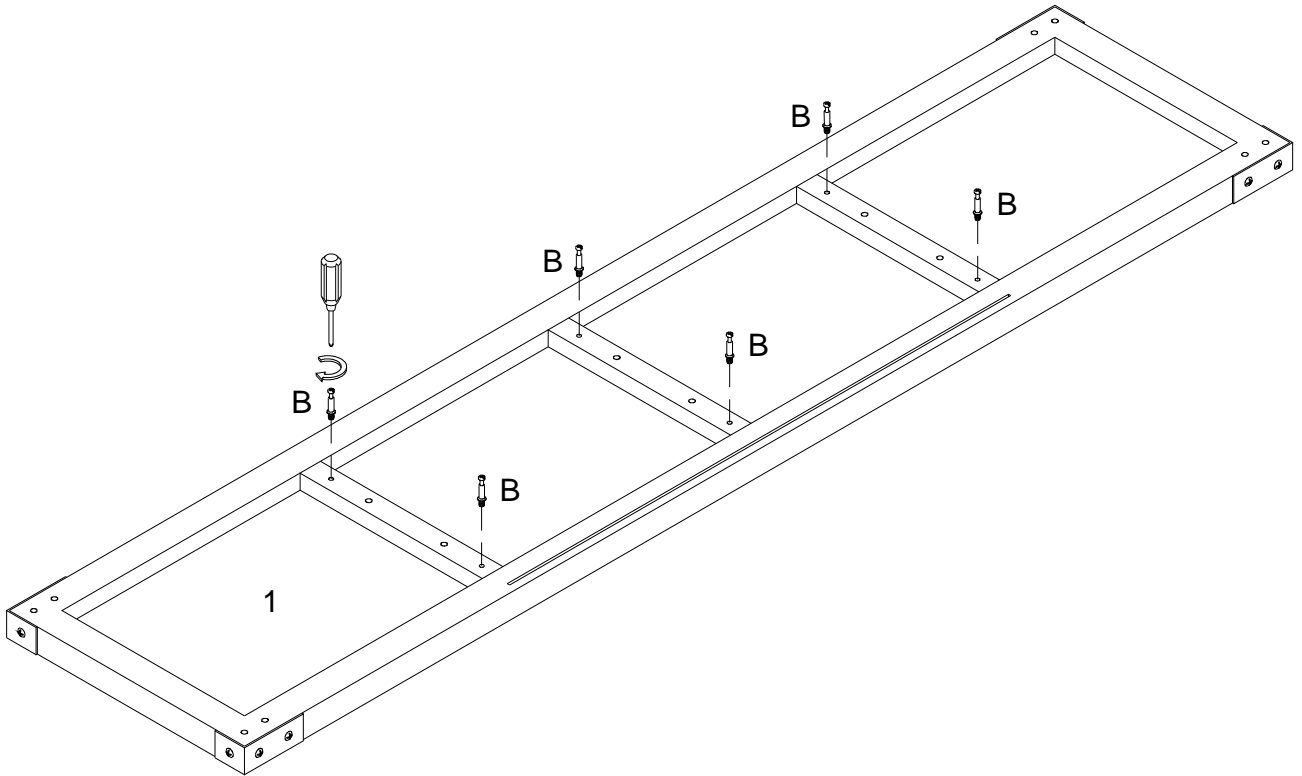
A		Ø8x30mm	Wooden dowel	20 pcs
B		Ø6x35mm	Cam bolt	14 pcs
C		Ø15x11mm	Cam lock	14 pcs
D		Ø30mm	Sticker	14 pcs
E		Ø6x50mm	Screw	8 pcs
F		M 4	Hex Key	1 pc
G		Ø6x15mm	Bolt	16 pcs
H		Ø6x15mm	Bolt	8 pcs
J			L shape bracket	8 pcs
K			Plastic wedge	8 pcs
L		Ø3x17mm	Screw	8 pcs
M			West hinge	4 pcs
N		Ø3x14mm	Screw	24 pcs
P			Knob	2 pcs
Q		Ø4x22mm	Bolt	4 pcs
R		Ø8x5x16mm	Shelf support pin	8 pcs
S			Glue tube	1 pc



Philips head screwdriver required for assembly
(not included)

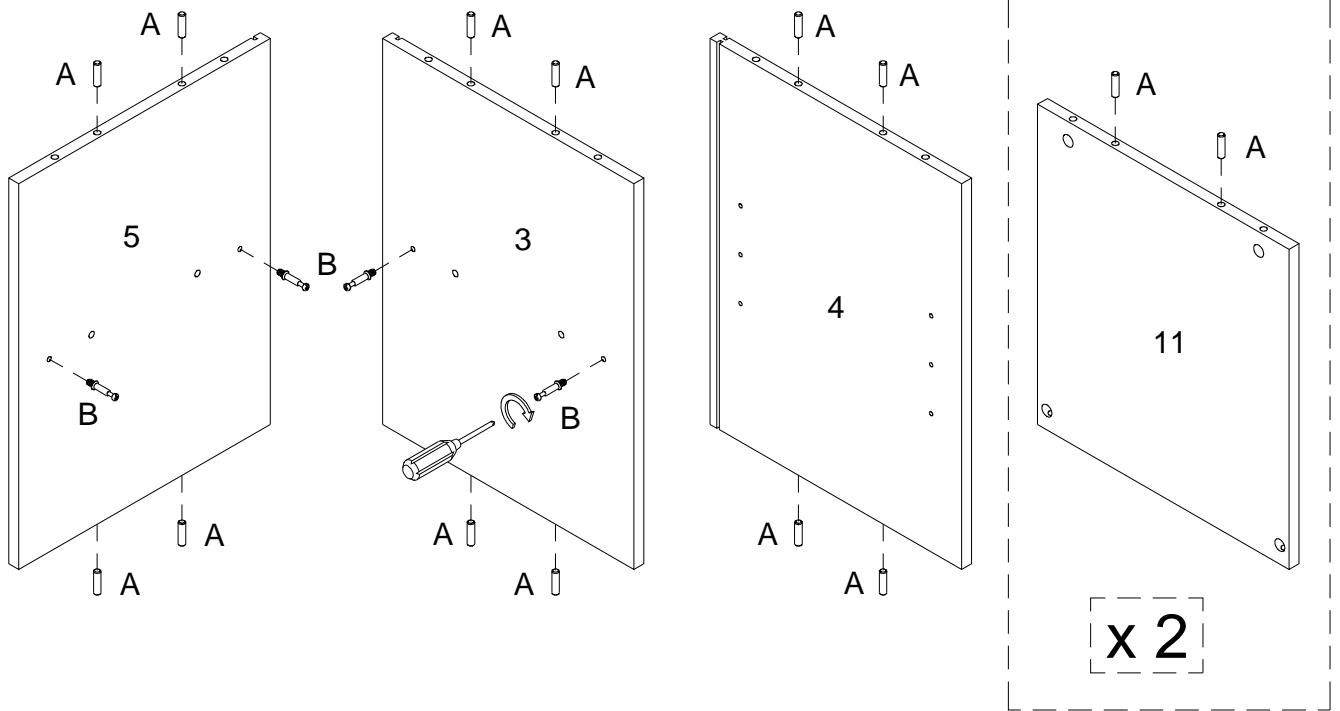
*The hardware quantities listed above are required for proper assembly.
Some extra hardware may also have been included.*

Step 1



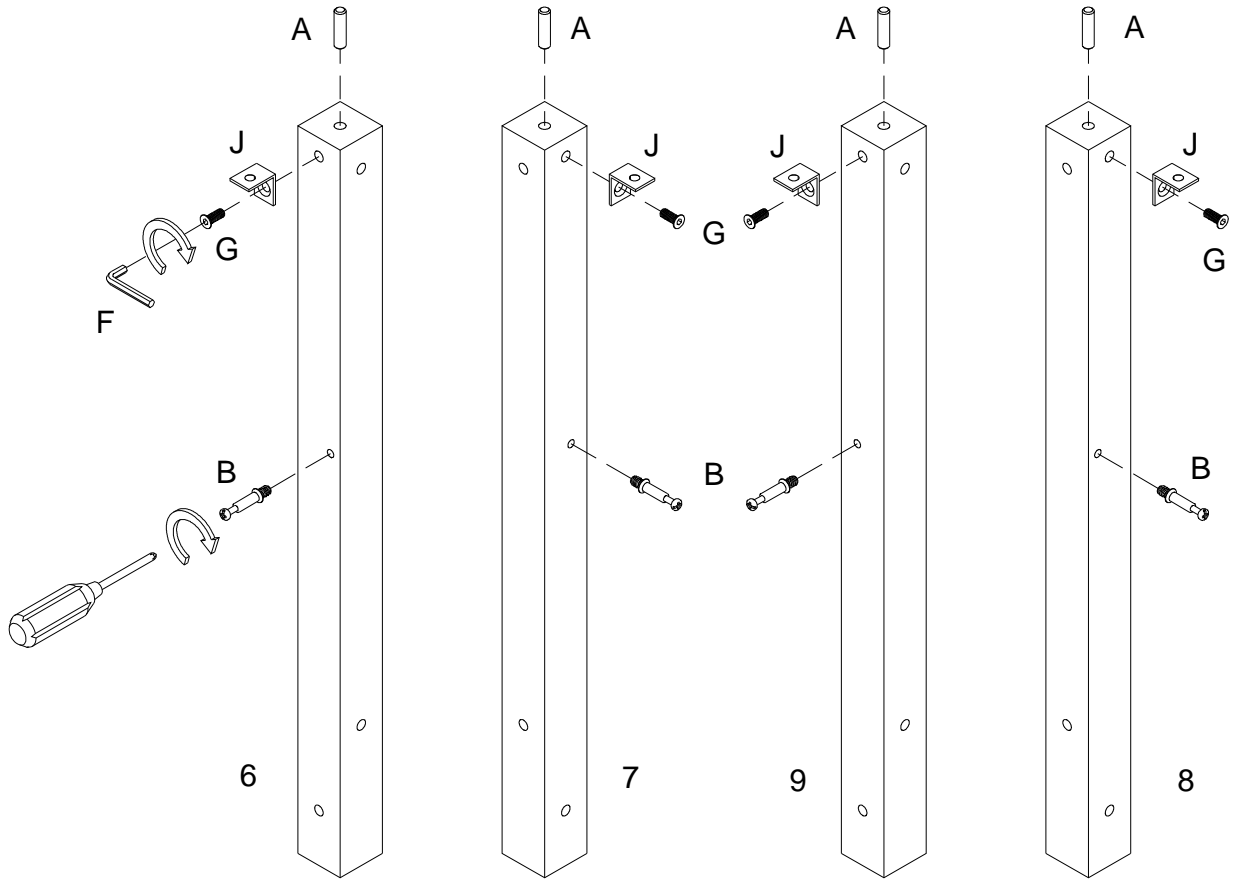
Insert cam bolt (B) to part (1) secure with Philips head screwdriver .

Step 2



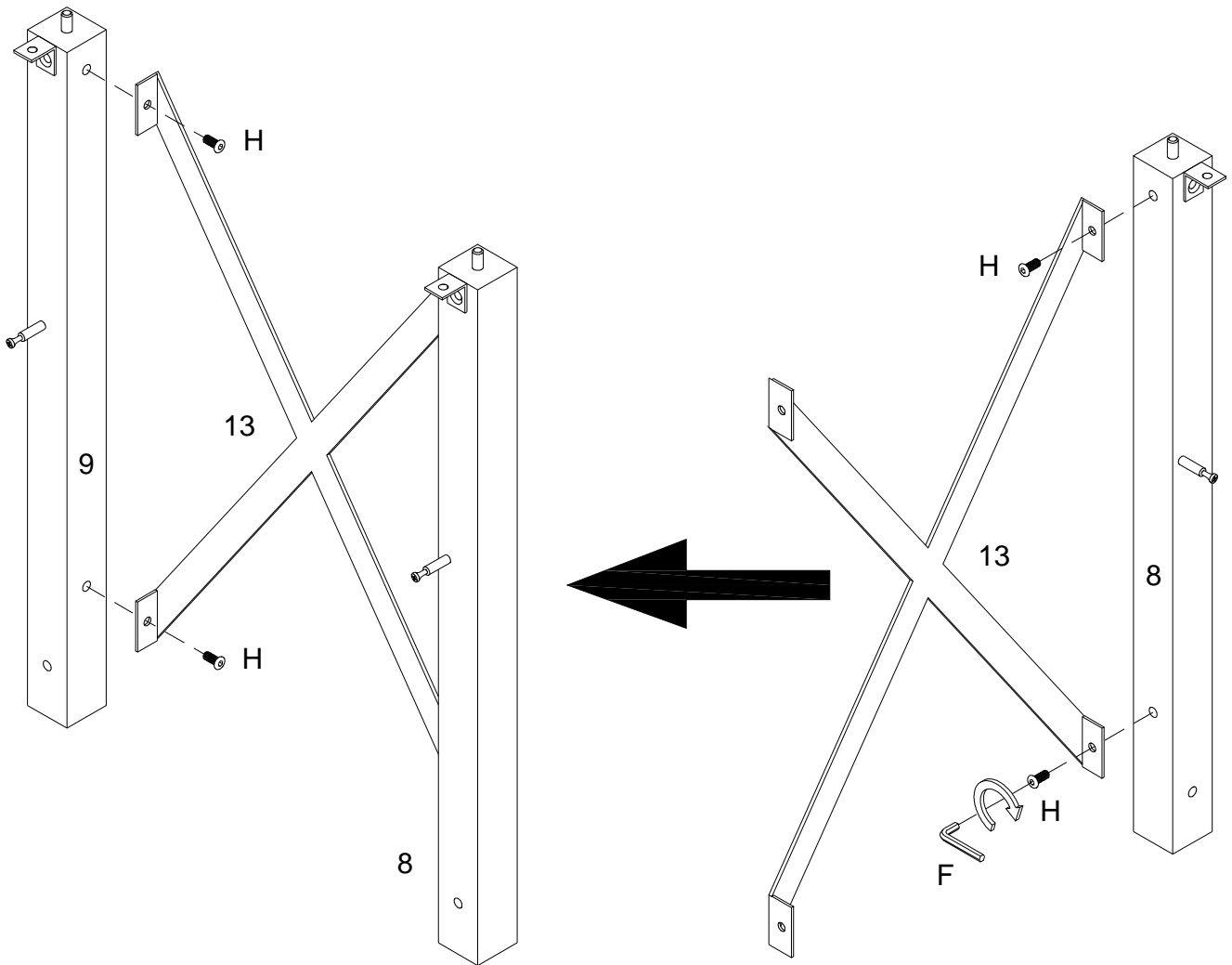
Insert wooden dowel (A) and cam bolt (B) to parts (3,4,5,11) with Philips head screwdriver .

Step 3



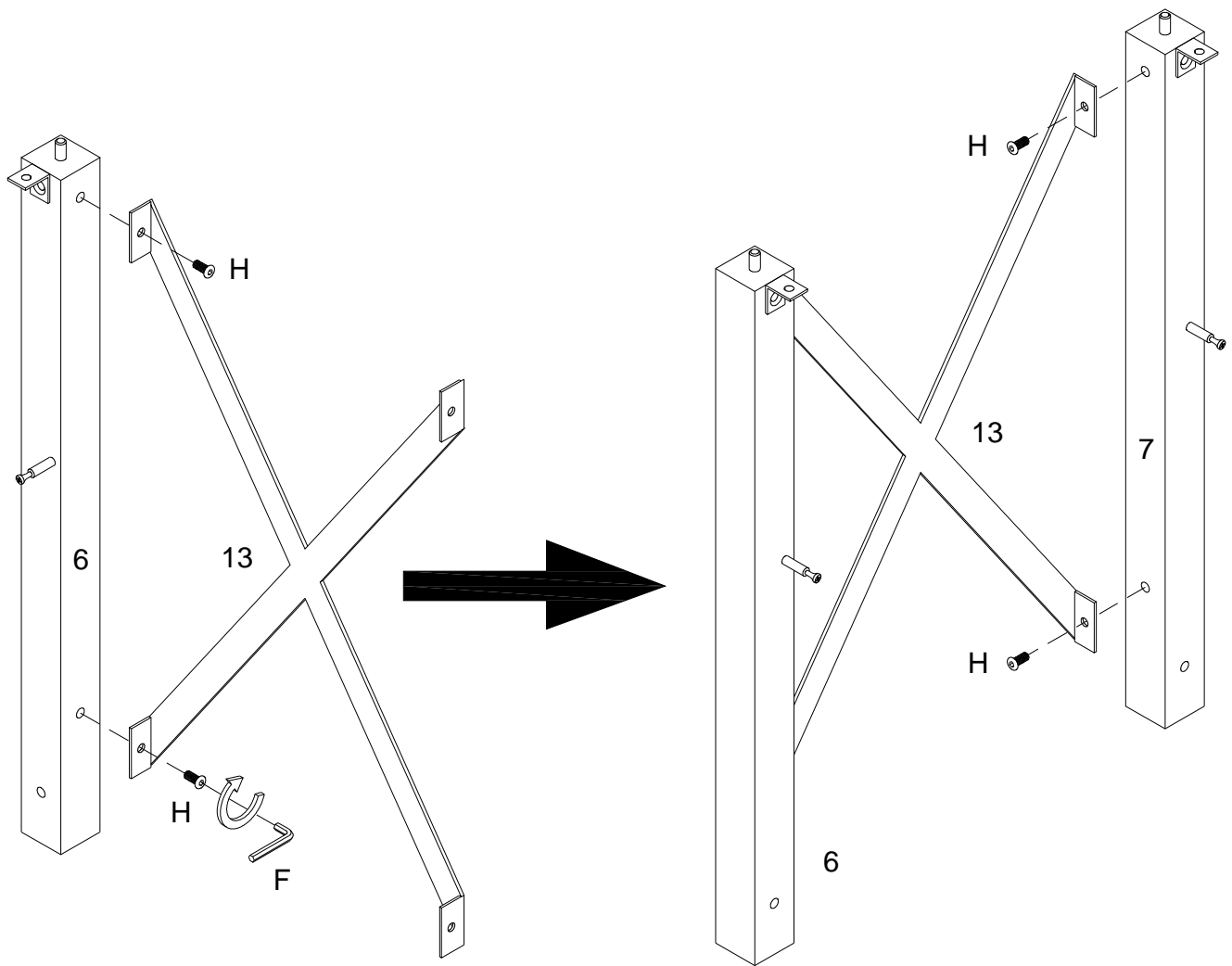
Using bolt (G) secure L shape bracket (J) to parts (6,7,8,9) with hex key (F) ,then using can bolt (B) insert to parts (6,7,8,9) with Philips Head screwdriver as per diagram.

Step 4



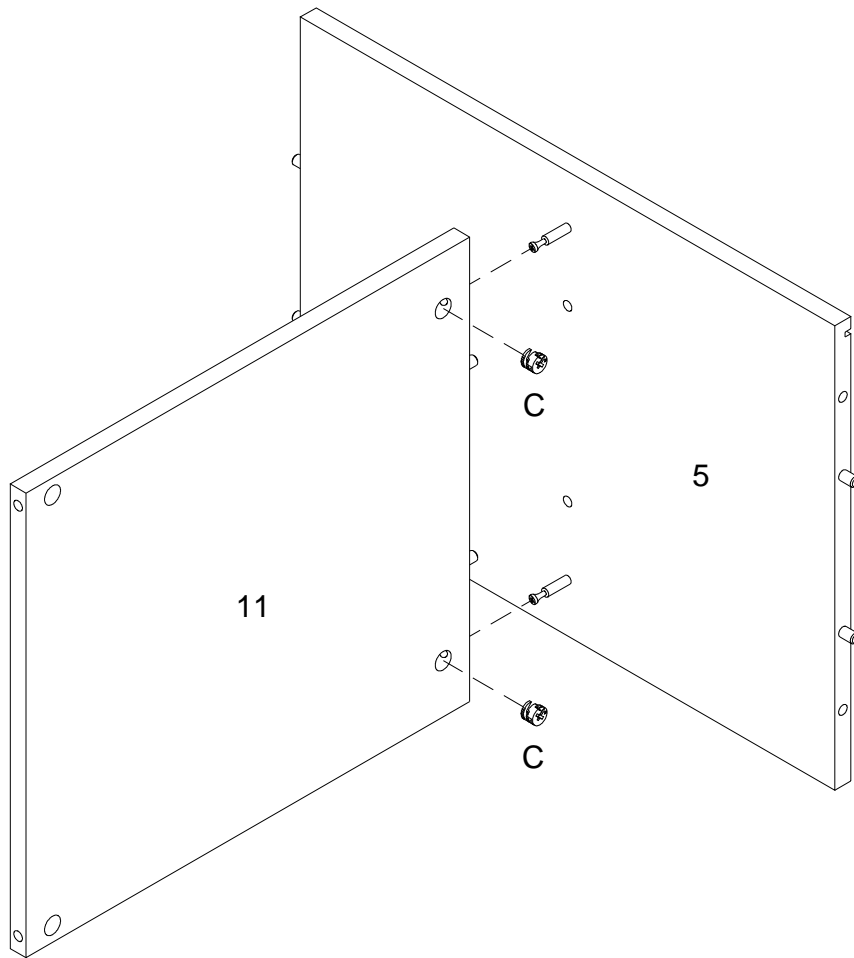
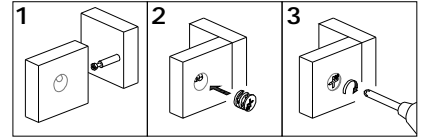
Using bolt (H) secure part (13) to part (8) with hex key (F) ,using bolt (H) secure part (13) to part (9) with hex key (F) as per diagram.

Step 5



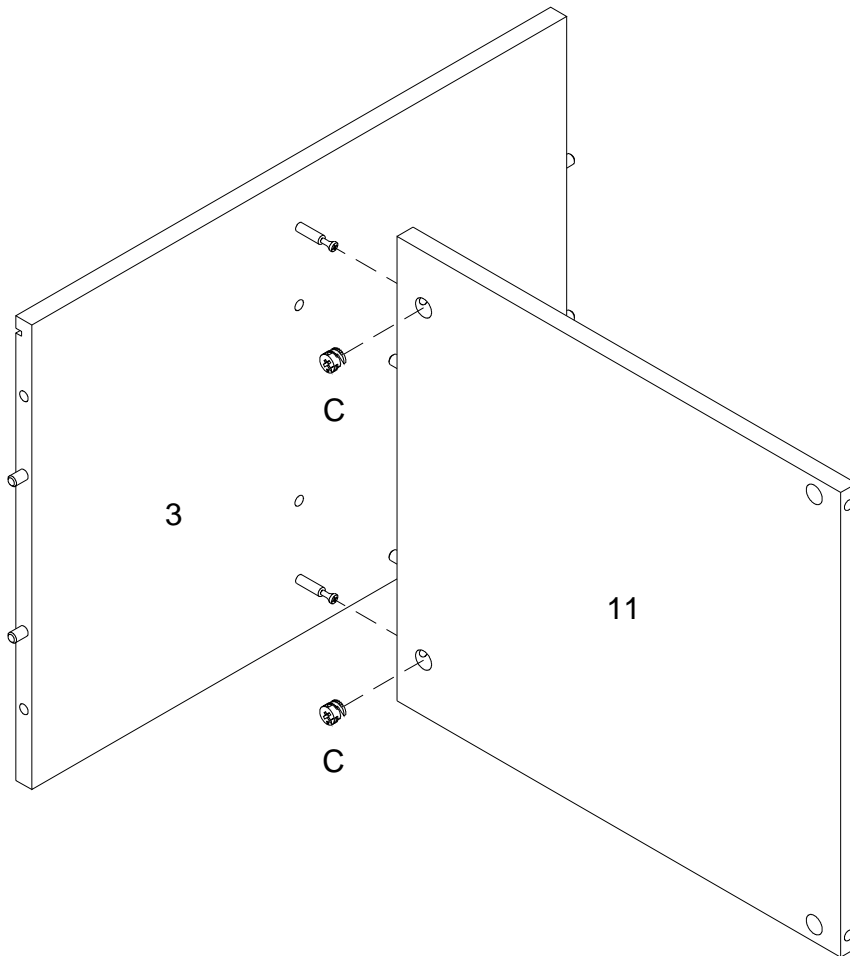
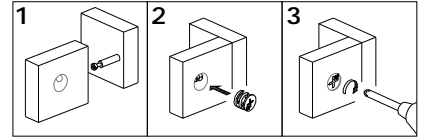
Using bolt (H) secure part (13) to part (7) with hex key (F) ,using bolt (H) secure part (13) to part (6) with hex key (F) as per diagram.

Step 6



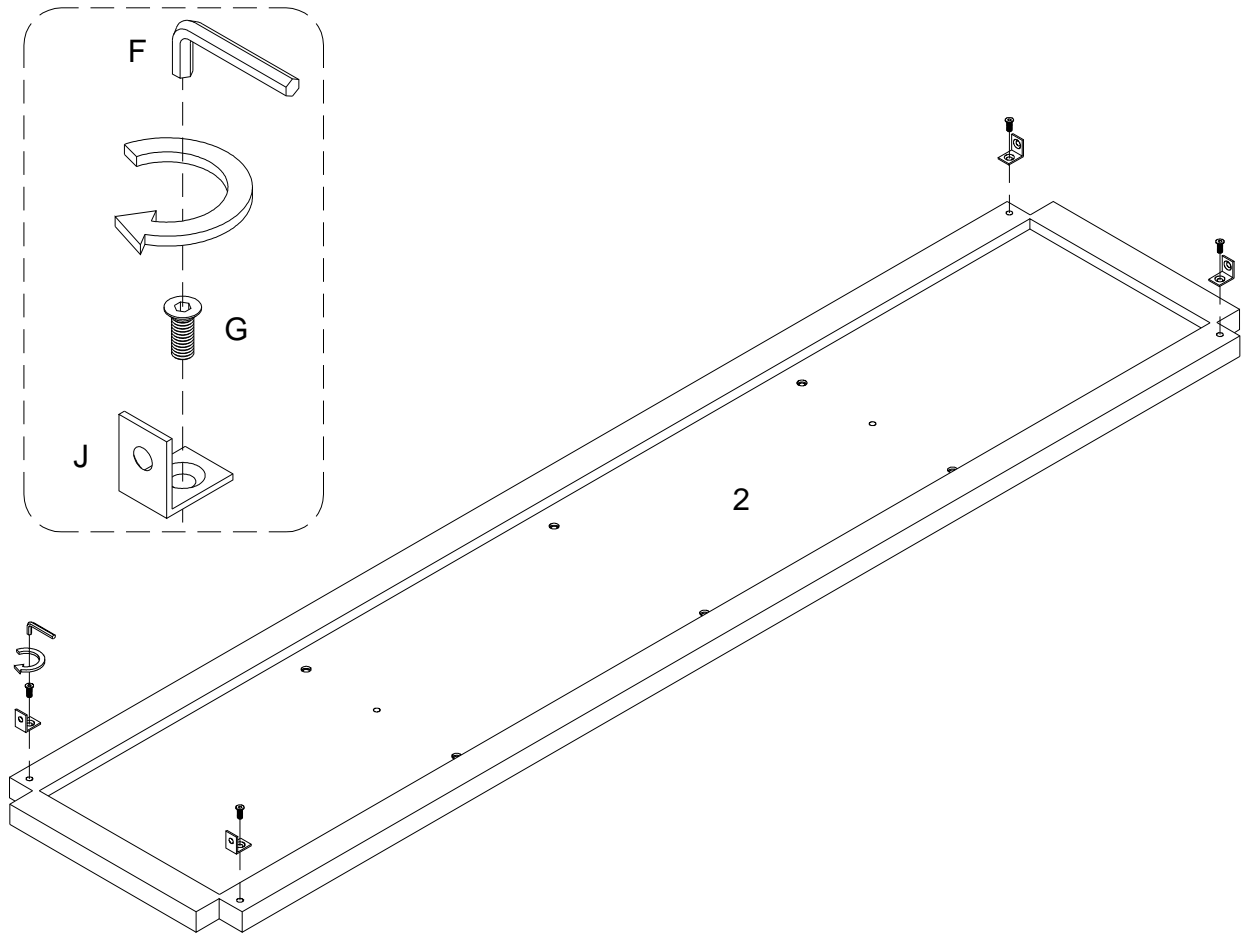
Using cam lock (C) secure part (11) to part (5) with Philips head screwdriver as per diagram.

Step 7



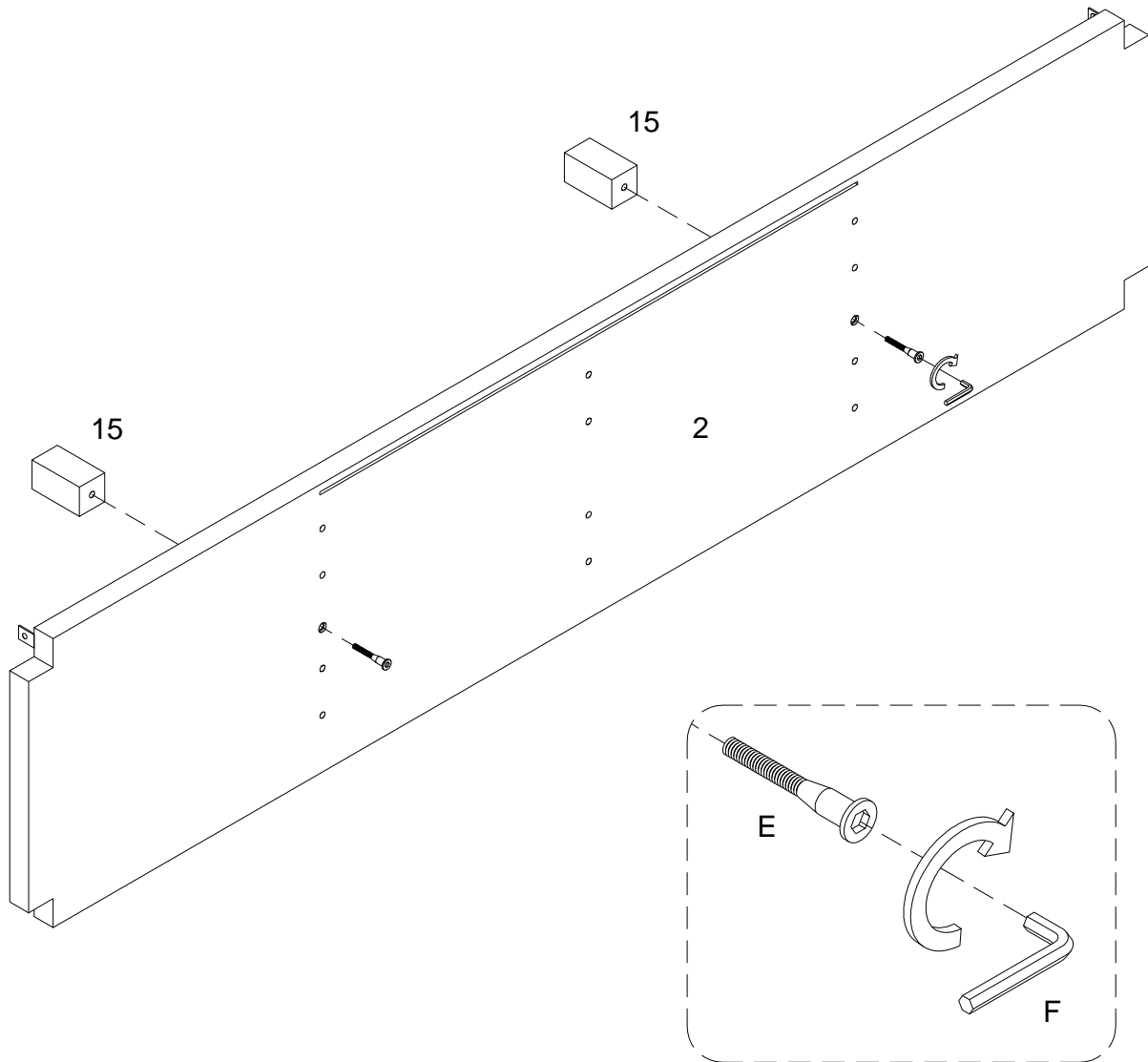
Using cam lock (C) secure part (11) to part (3) with Philips head screwdriver as per diagram.

Step 8



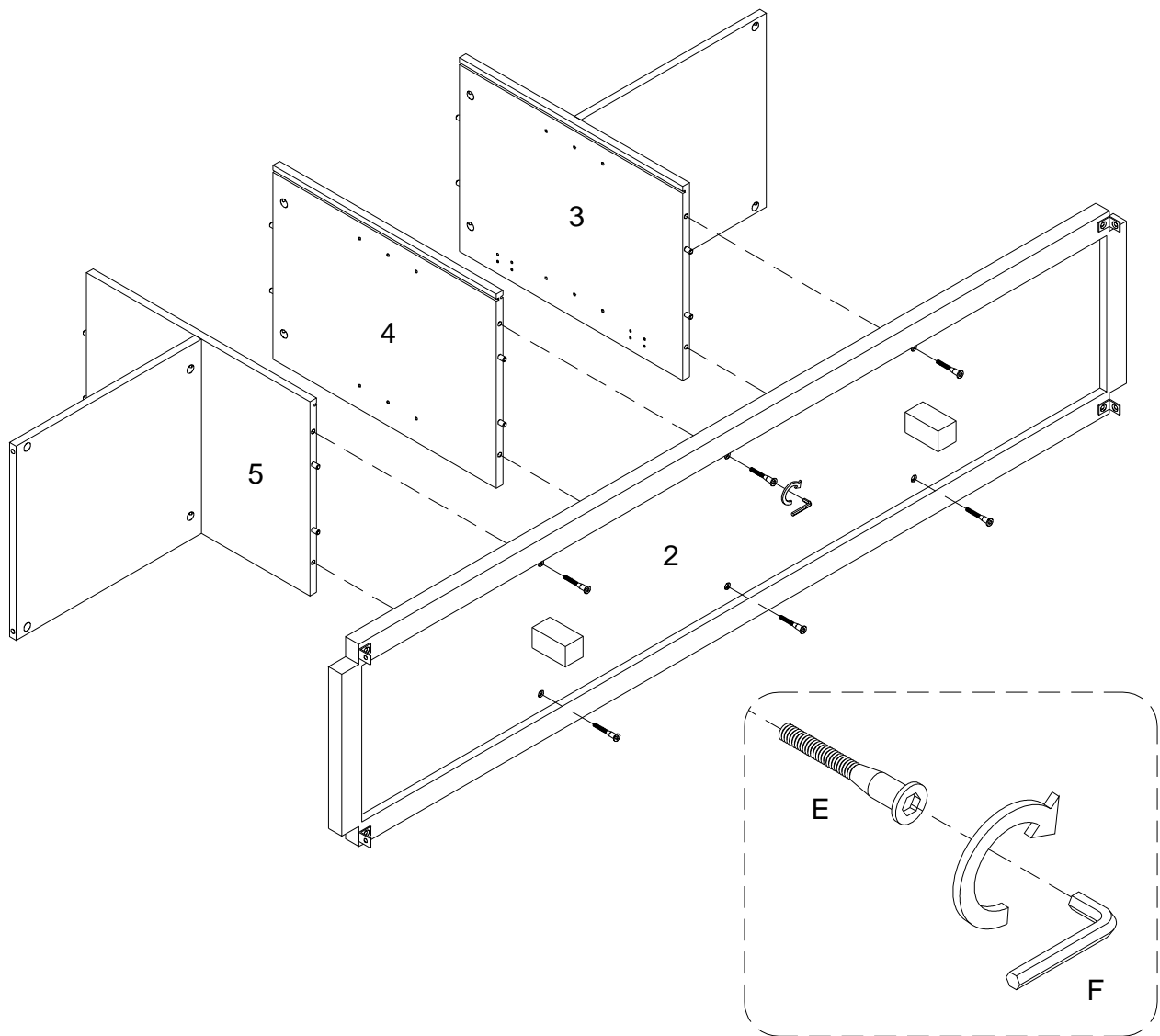
Using bolt (G) secure L shape bracket (J) to part (2) with Philips head screwdriver as per diagram.

Step 9



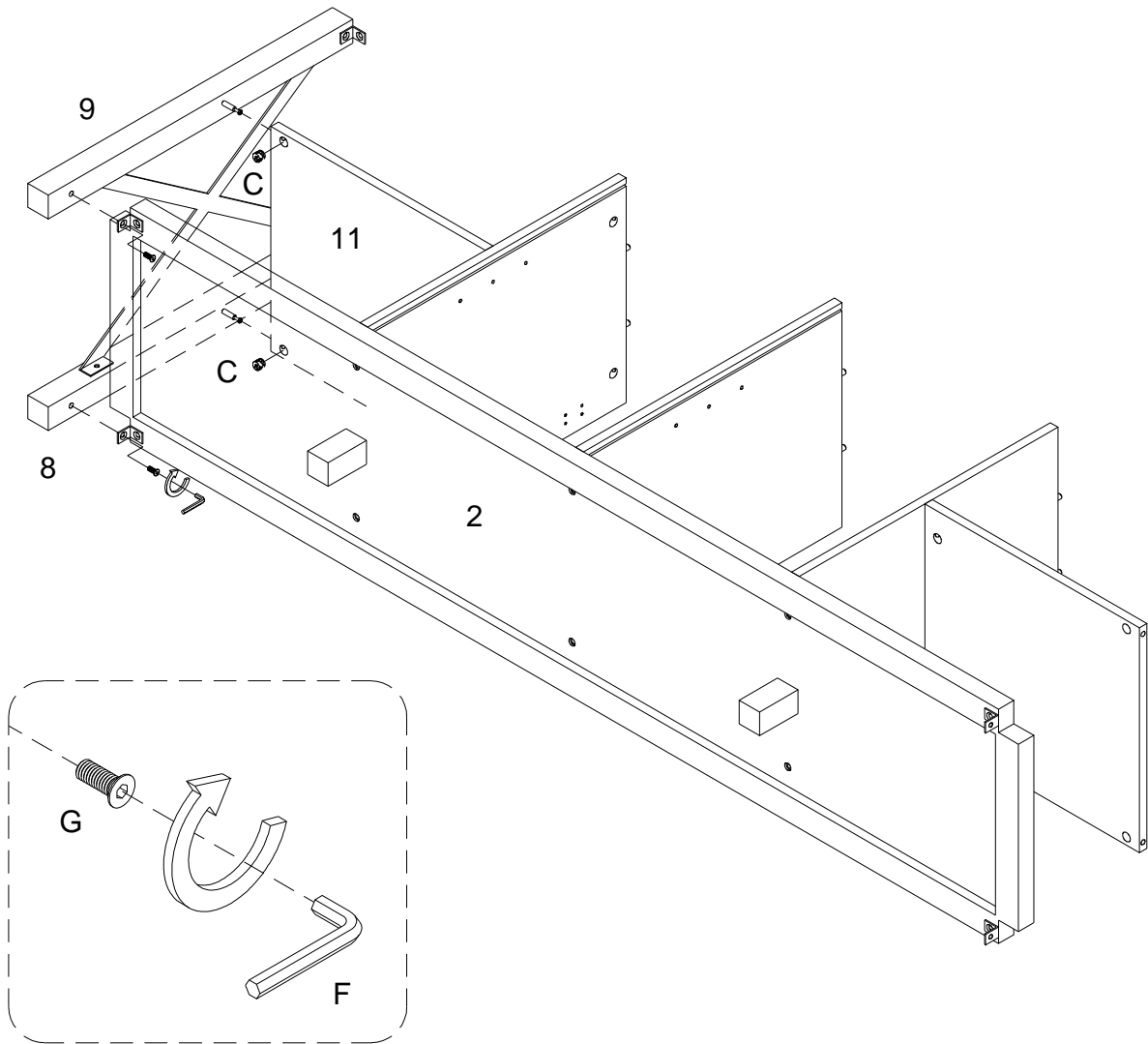
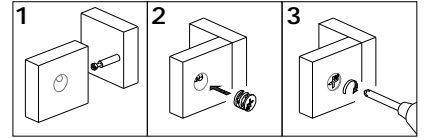
Using screw (E) secure part (15) to part (2) with hex key (F) as per diagram.

Step 10



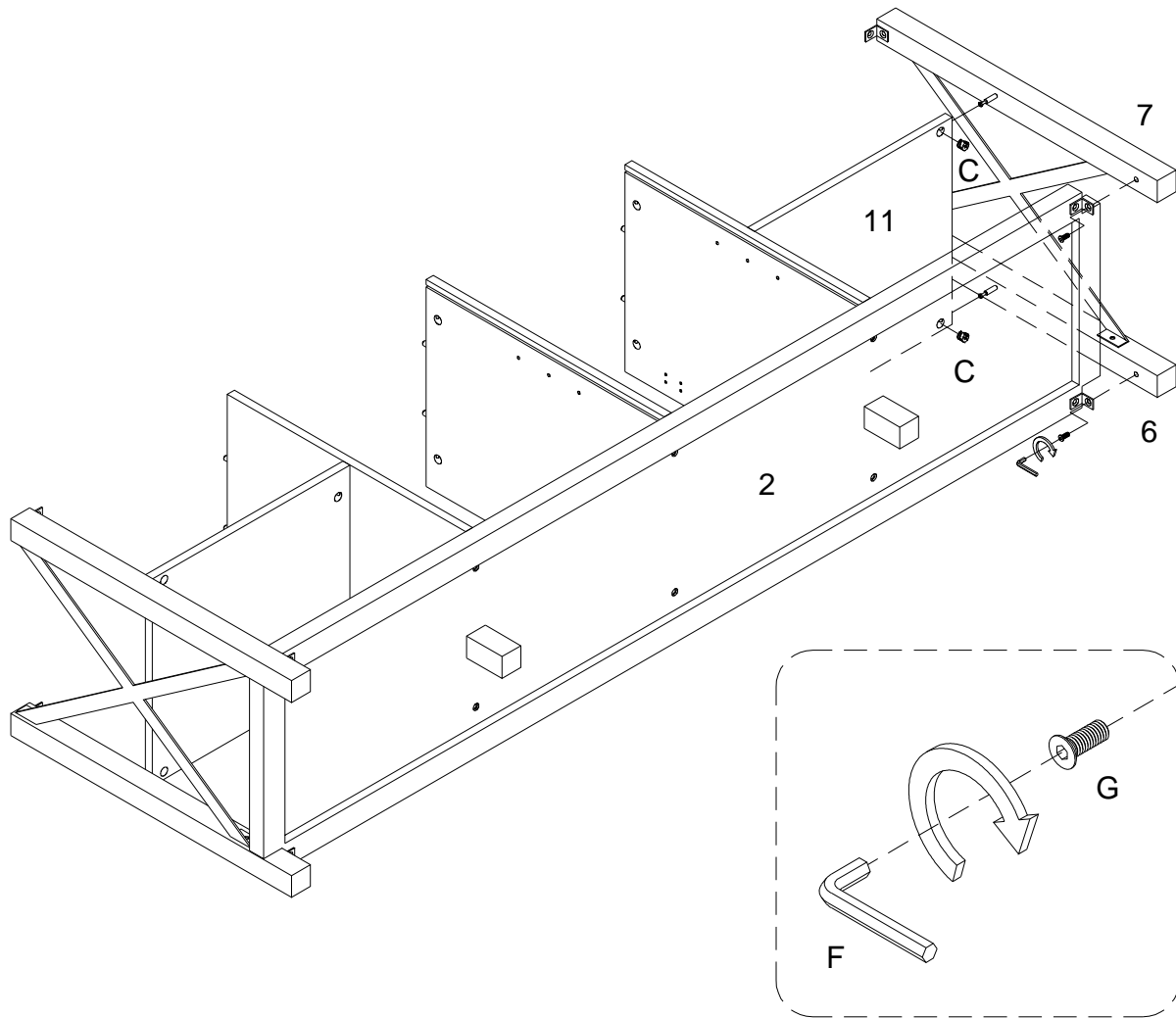
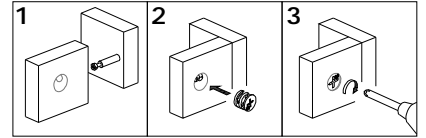
Using screw (E) secure part (2) to part (3,4,5) with hex key (F)

Step 11



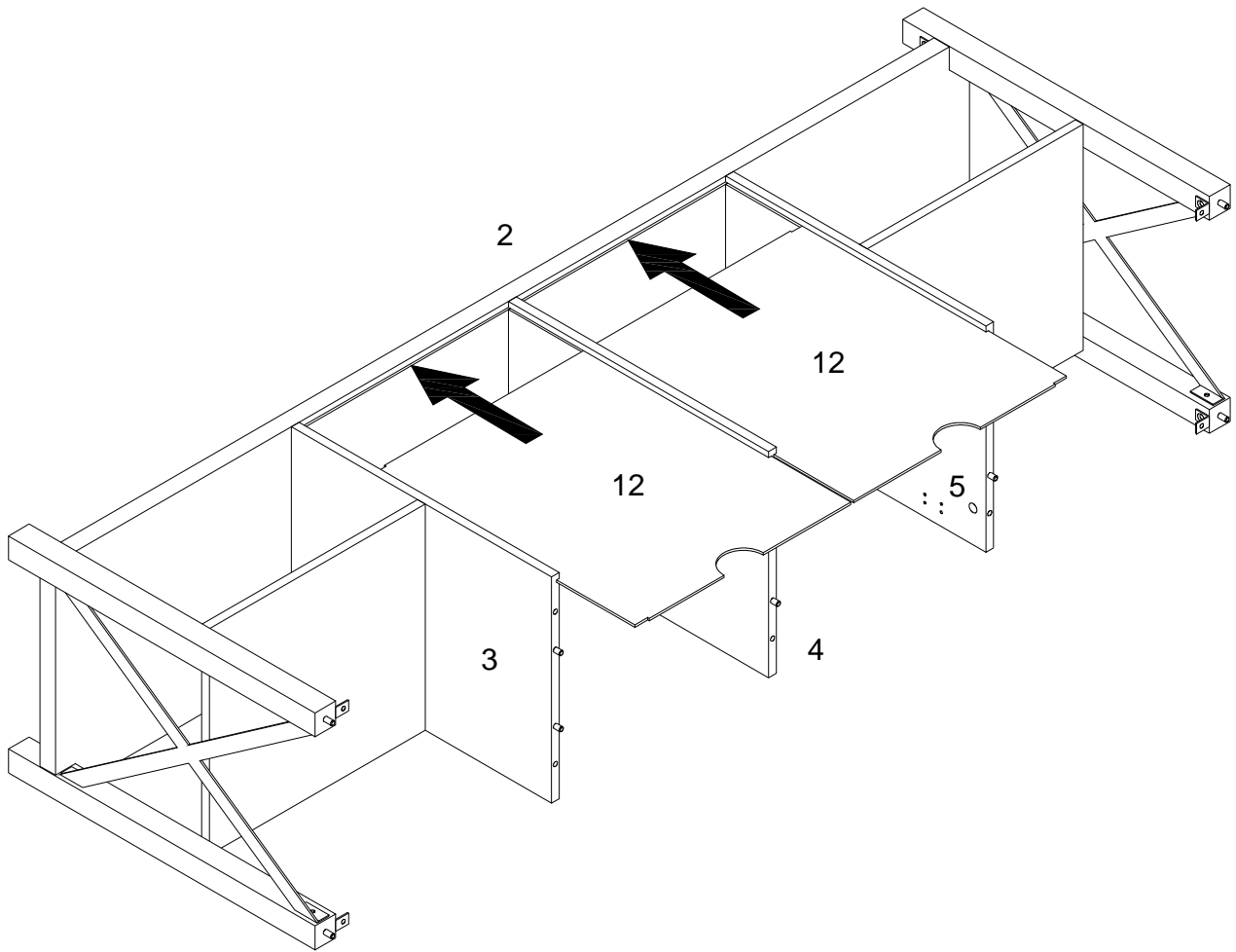
Using bolt (G) secure parts (8,9) to part (2) with hex key (F), then using cam lock (C) secure part (9) to parts (2,11) with Philips head screwdriver as per diagram.

Step 12



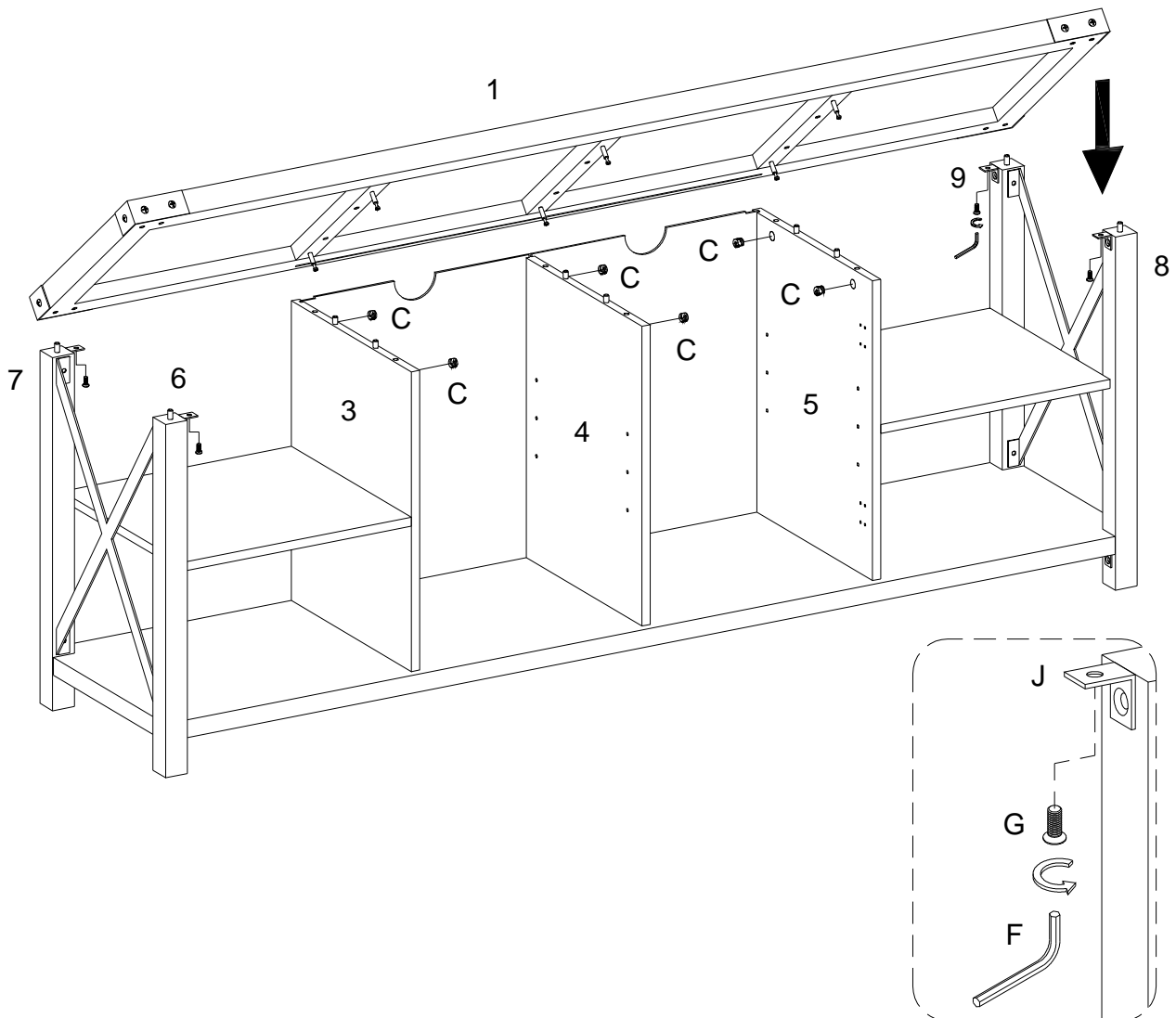
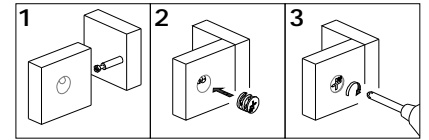
Using bolt (G) secure parts (6,7) to part (2) with hex key (F), then using cam lock (C) secure part (7) to parts (2,11) with Philips head screwdriver as per diagram.

Step 13



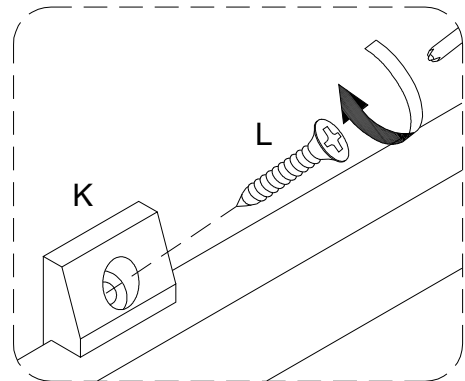
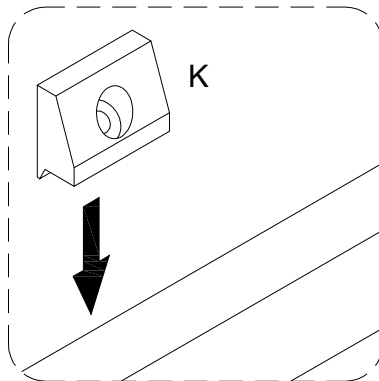
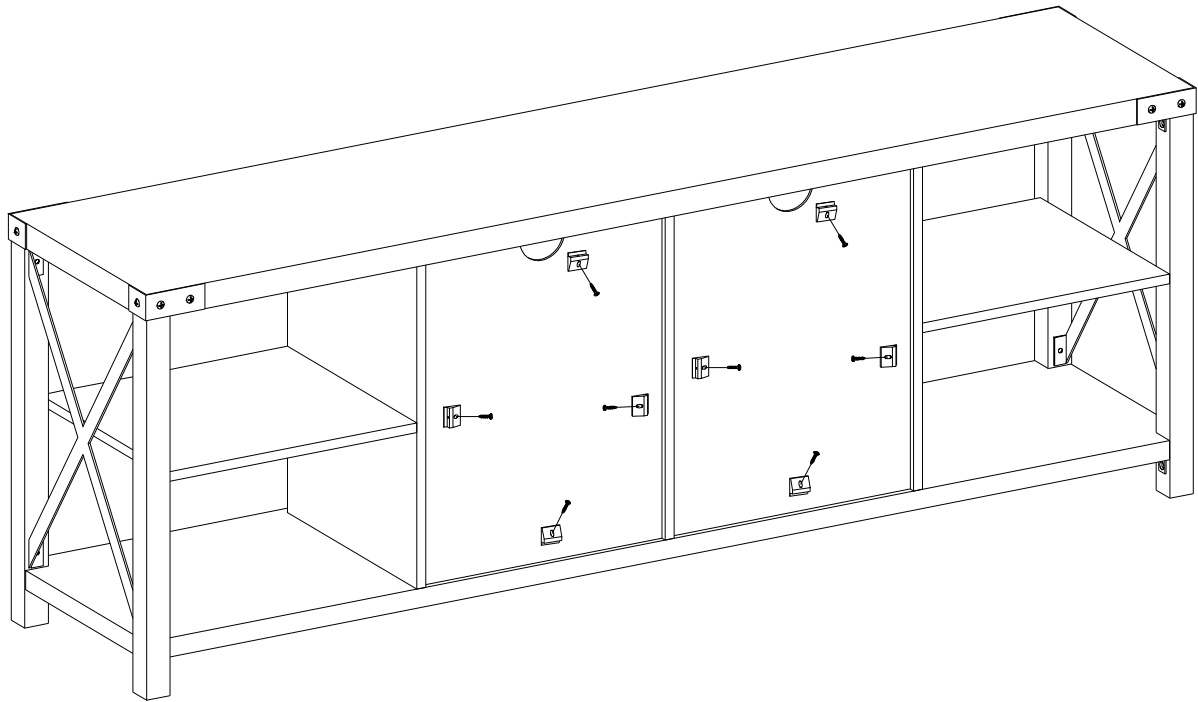
Insert part (12) into parts (3,4,5) as per diagram.

Step 14



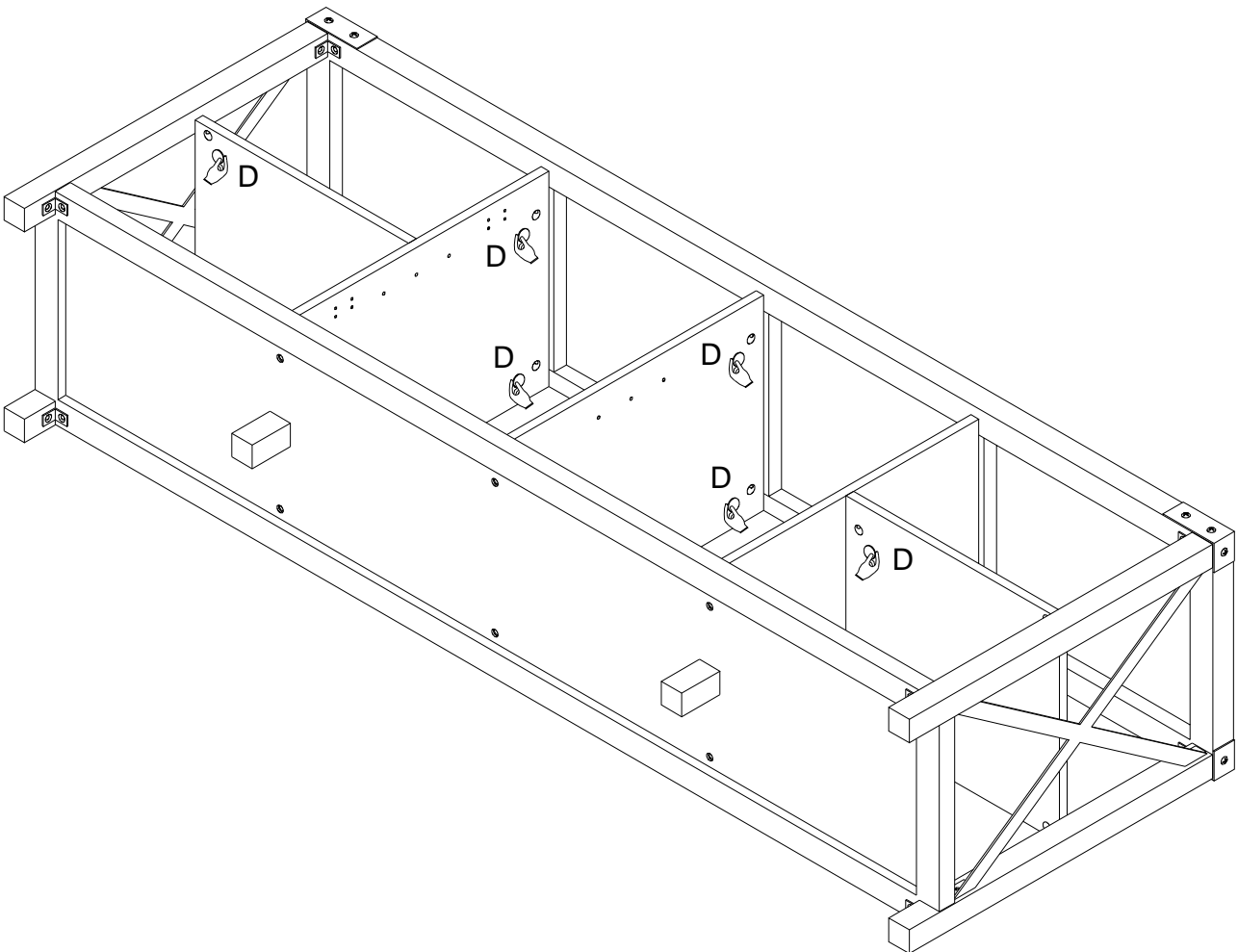
Using bolt (G) secure L shape bracket (J) to parts (6,7,8,9) with hex key (F) ,then put part (1) cover parts (3,4,5,6,7,8) as per diagram.

Step 15



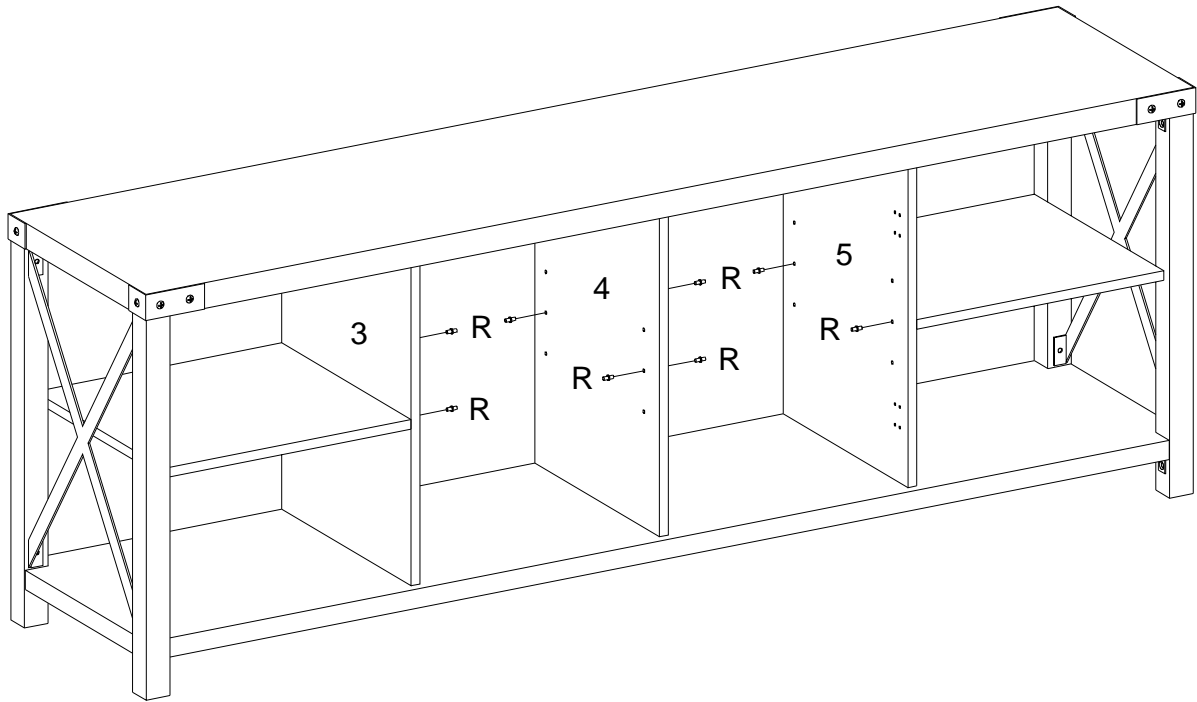
Using screw (L) secure plastic wedge (K) with Philips screw driver as per diagram.

Step 16



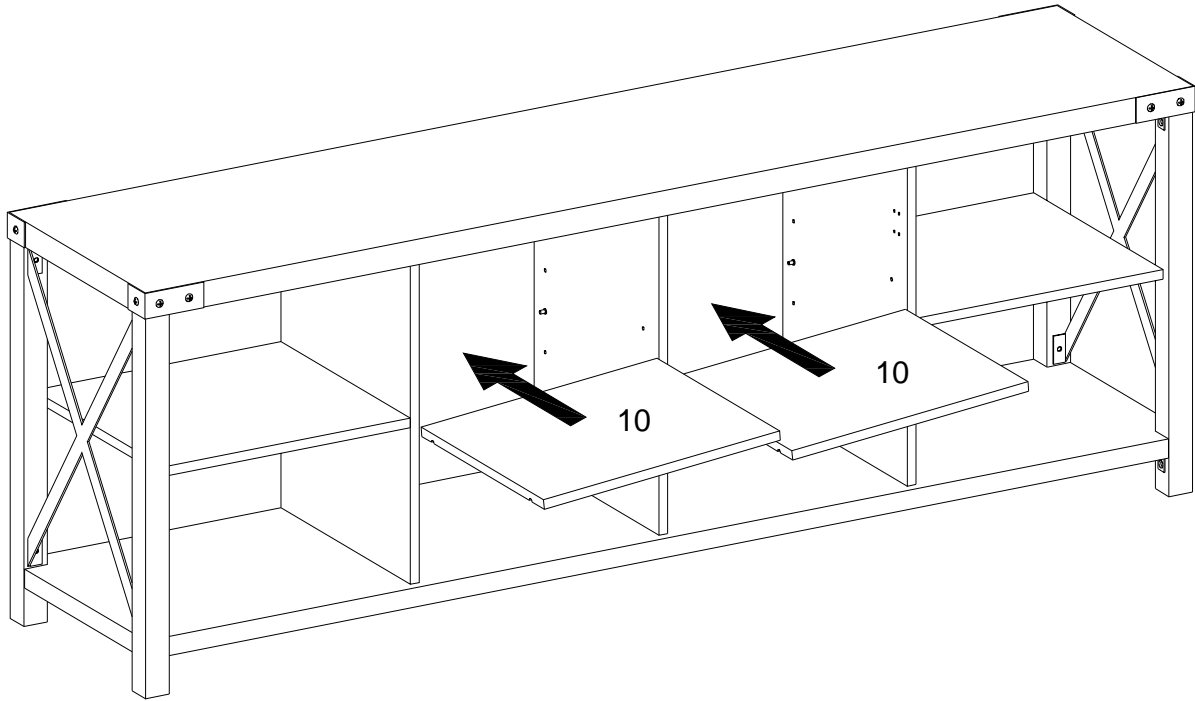
Place sticker (D) cover the holes as per diagram.

Step 17



Insert shelf support pin (R) into parts (3,4,5) as per diagram .

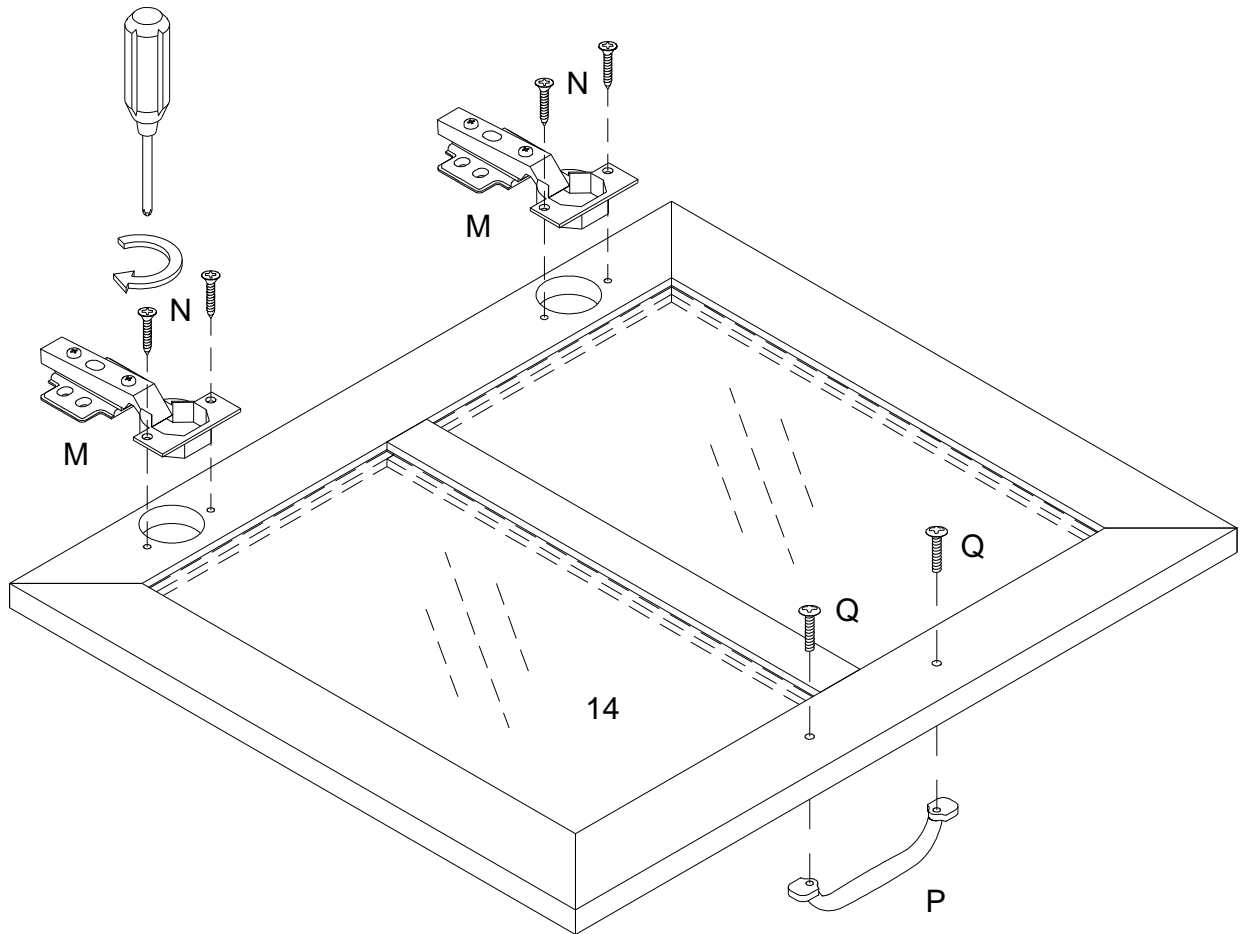
Step 18



Insert part (10) into case as per diagram.

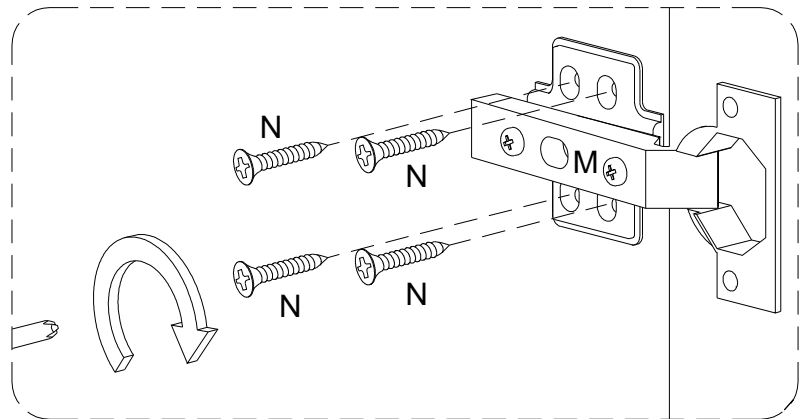
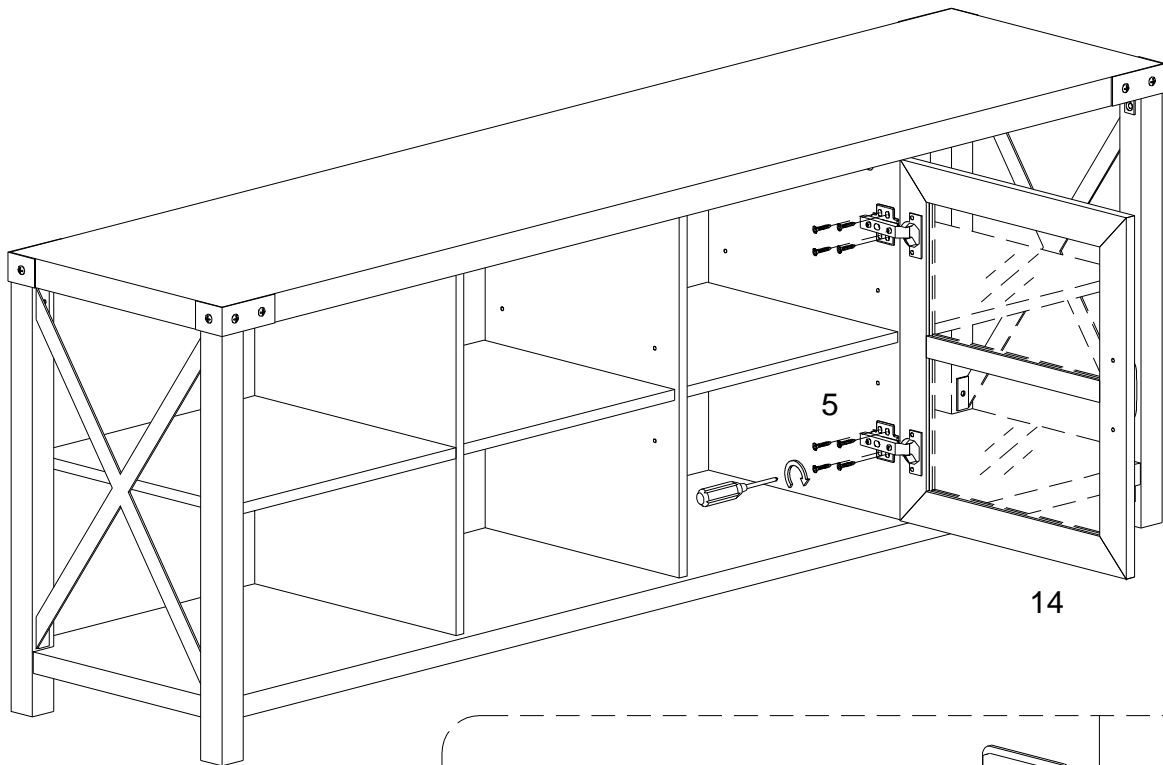
Step 19

x 2



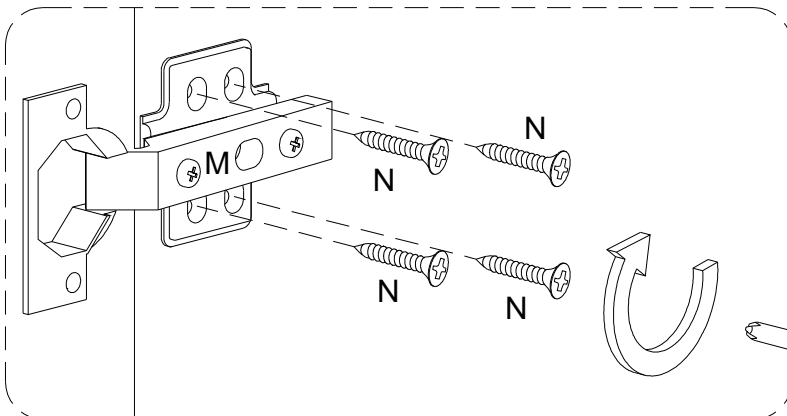
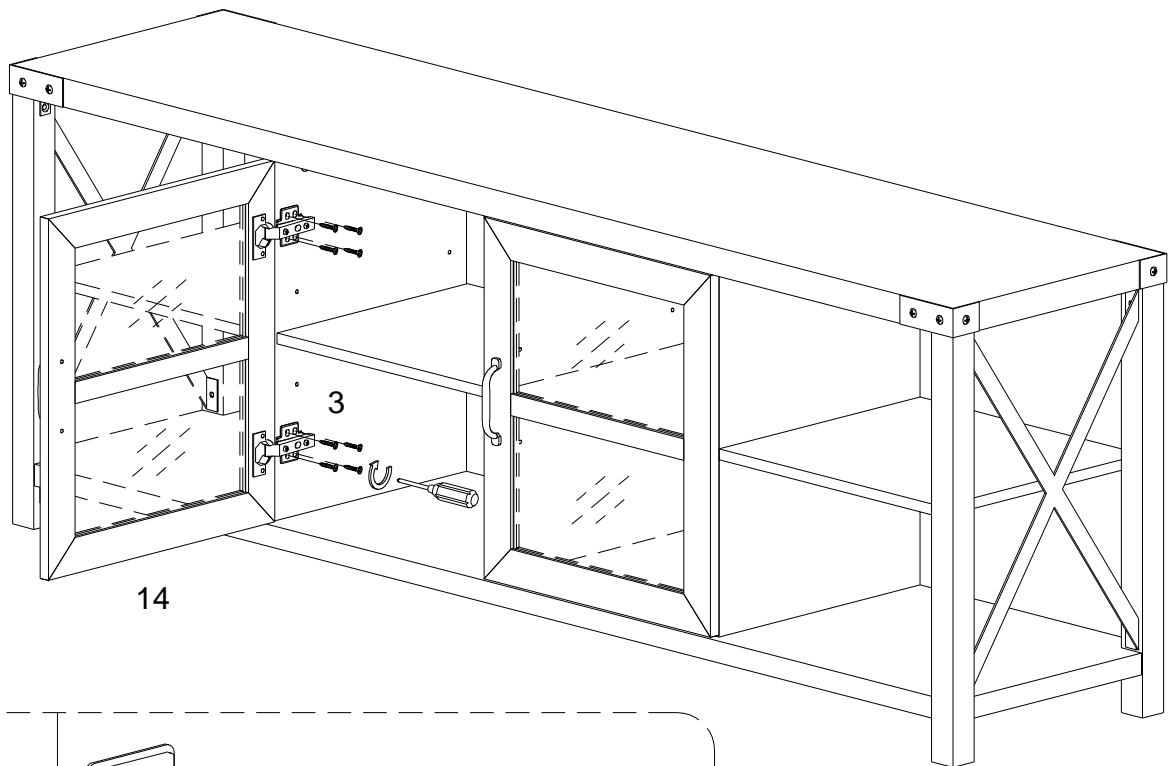
Using screw (N) secure west hinge (M) to part (14) with Philips head screwdriver .then using bolt (Q) secure part (14) to knob (P) as per diagram.

Step 20



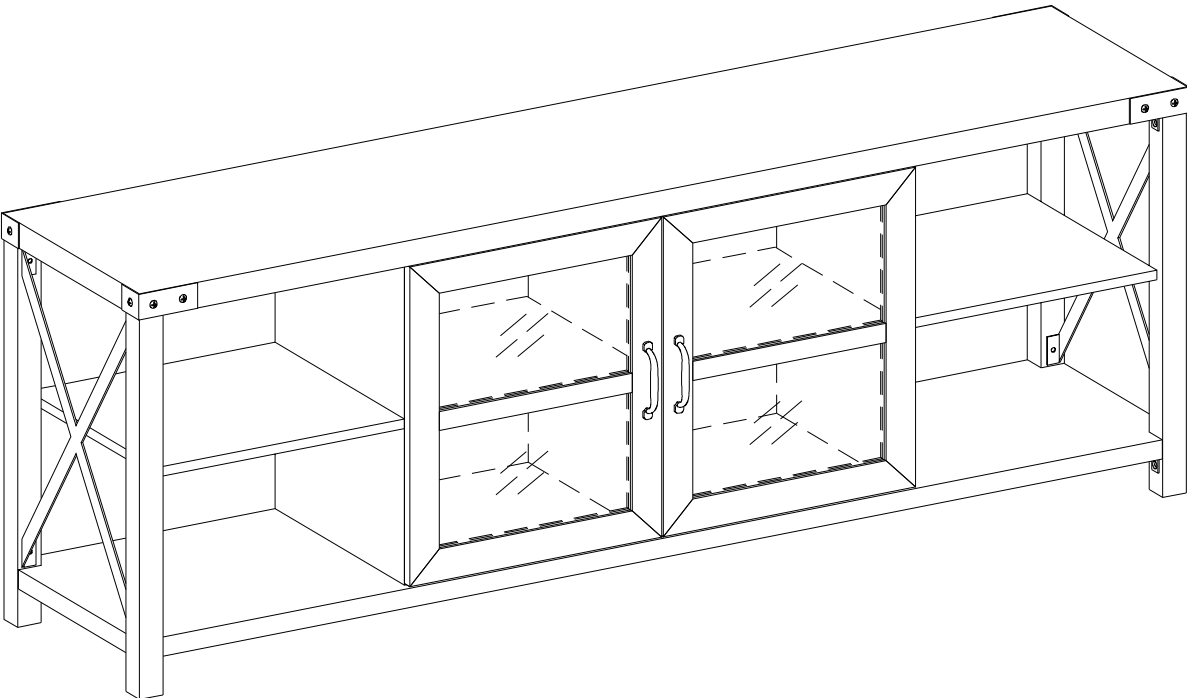
Using screw (N) secure west hinge (M) to part (5) to part (14) with Philips head screwdriver as per diagram.

Step 21



Using screw (N) secure west hinge (M) to part (3) to part (14) with Philips head screwdriver as per diagram.

Step 22



Final Assembly