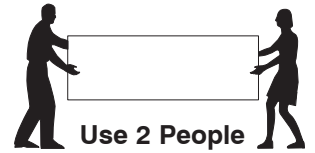
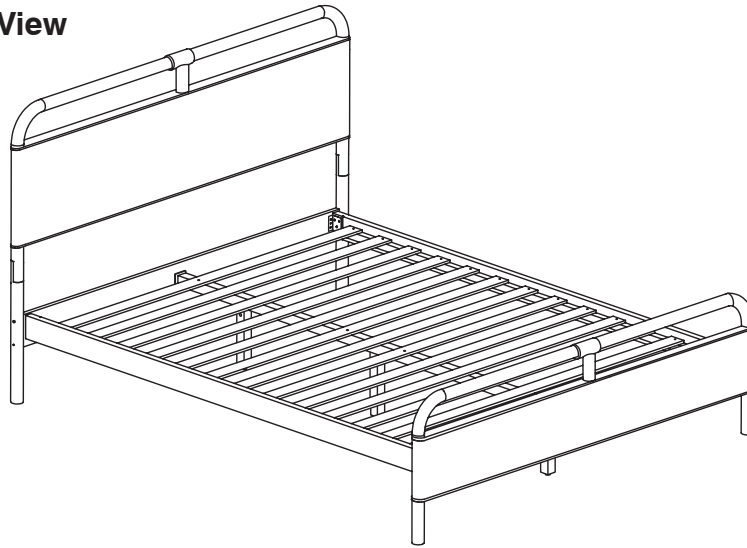


# 0110 Queen Bed

## Assembly Instructions

WI-0623

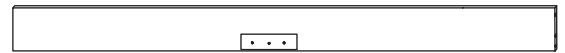
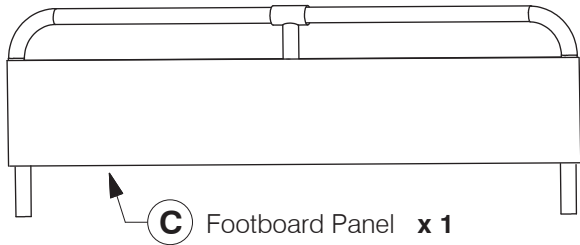
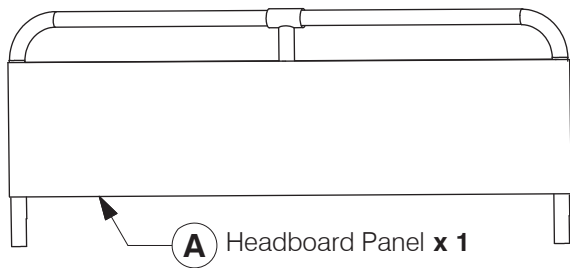
### 1 Assembled View



**Note:** Do not assemble using power tools. This can cause the bolts to be overtightened.

### 2 Parts List

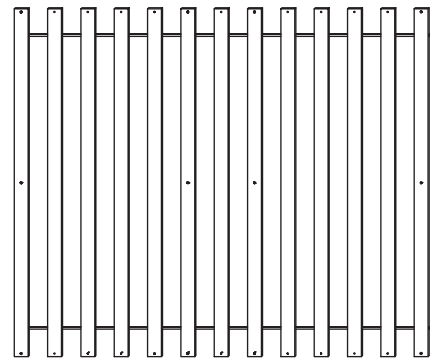
#### Parts in Box A:



**B** Headboard Support x 1

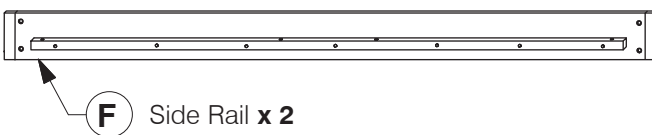


**D** Headboard Post x 2



**E** Set of Bed Slats x 1

#### Parts in Box B:



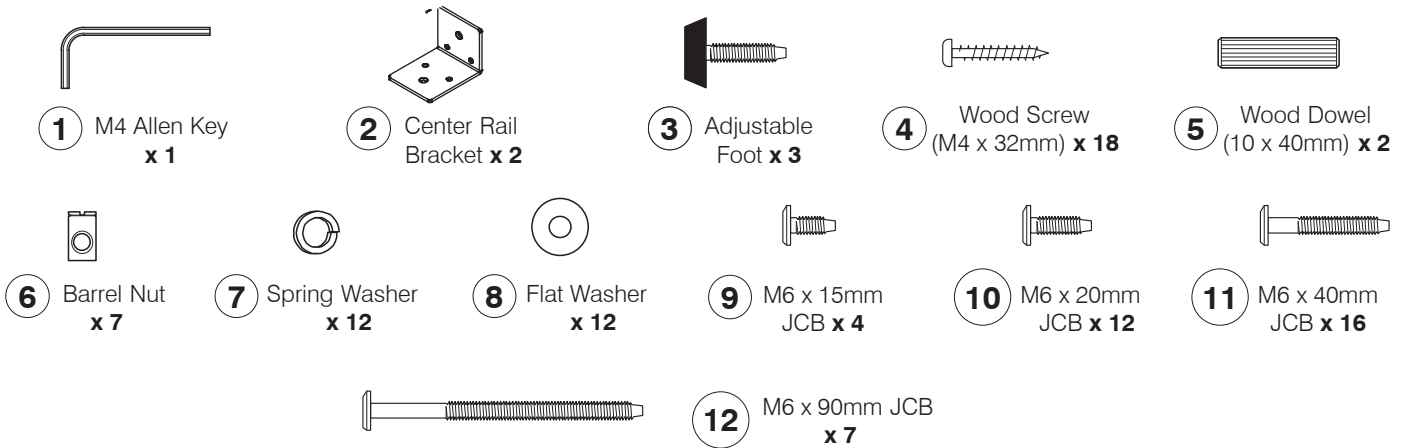
**H** Support Leg x 3

# 0110 Queen Bed

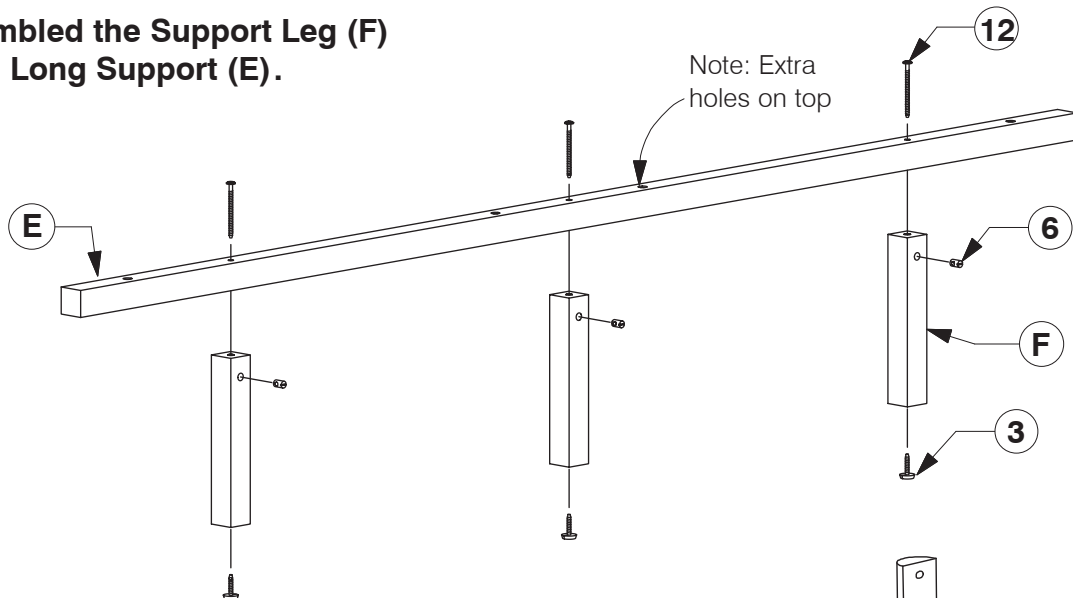
## Assembly Instructions

WI-0623

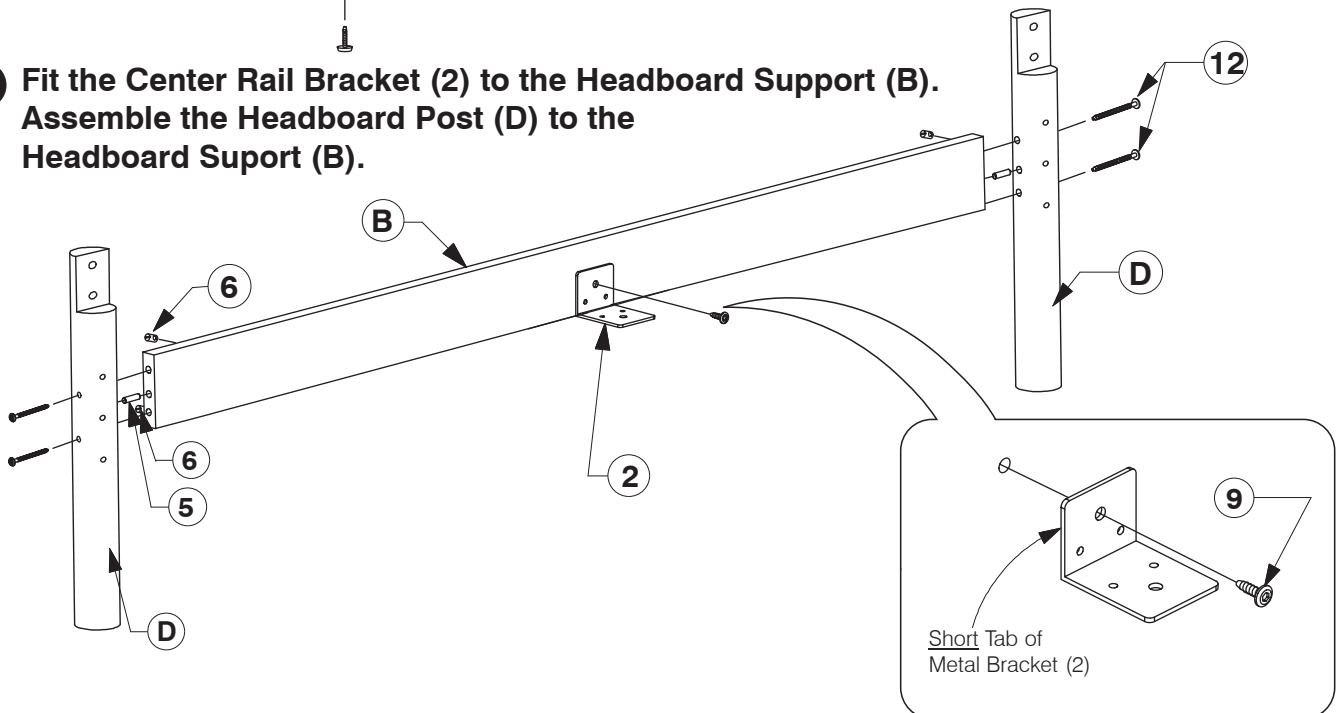
### 3 Hardware List



### 4 Assembled the Support Leg (F) to the Long Support (E).



### 5 Fit the Center Rail Bracket (2) to the Headboard Support (B). Assemble the Headboard Post (D) to the Headboard Support (B).

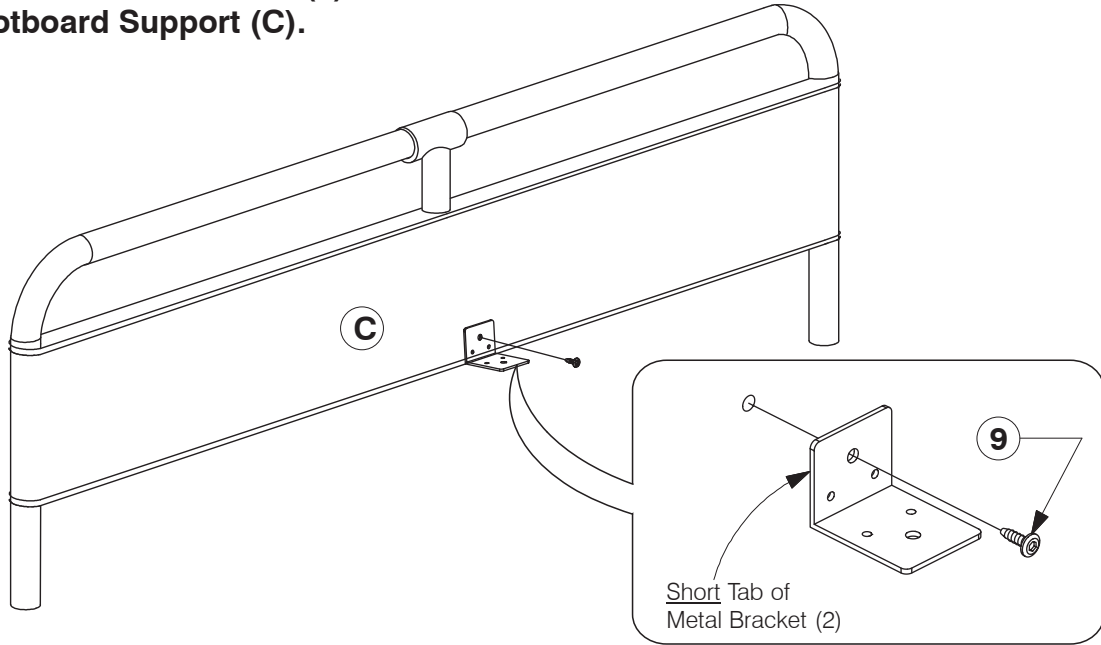


# 0110 Queen Bed

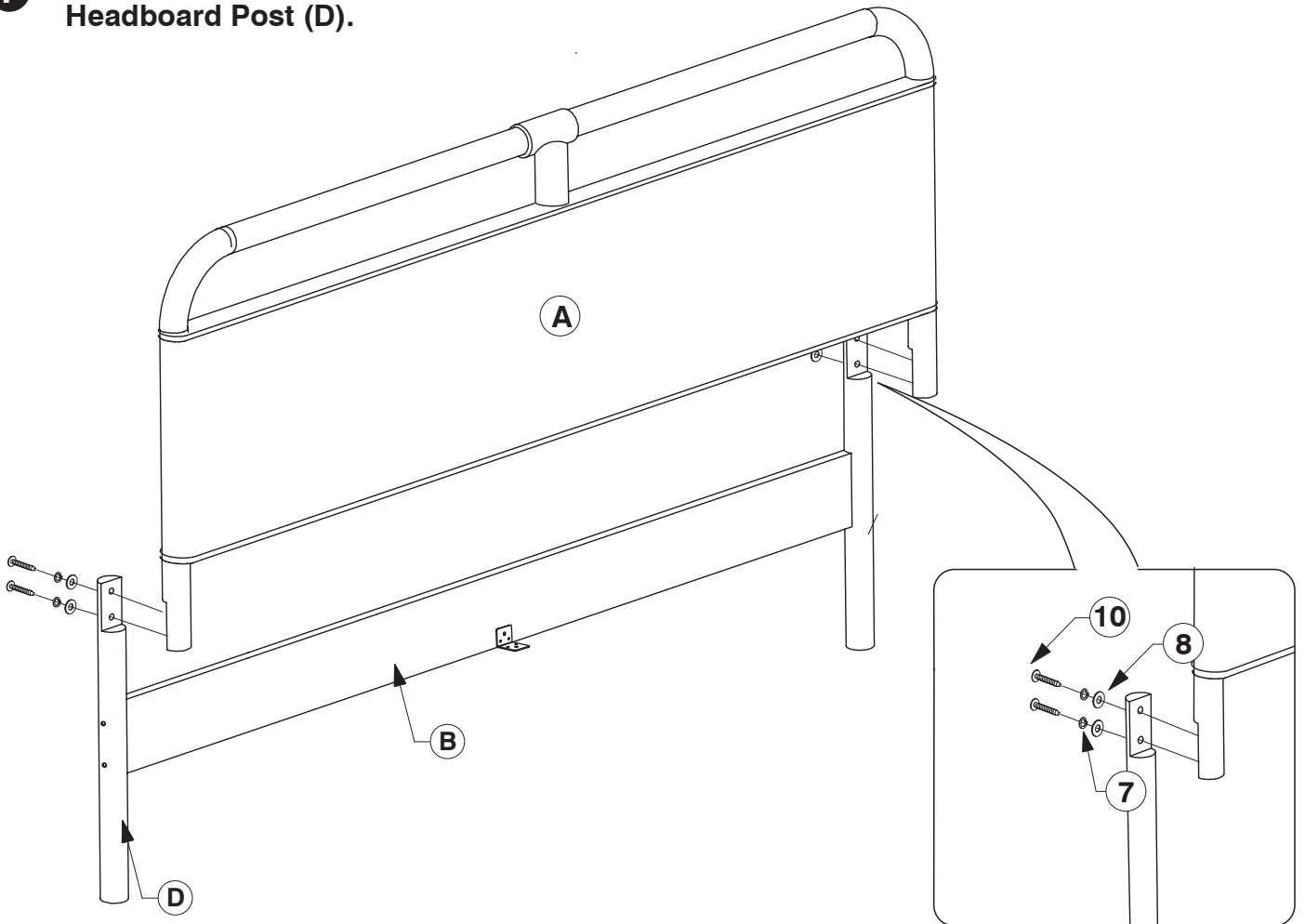
## Assembly Instructions

WI-0623

- 6** Fit the Center Rail Bracket (2) to the Footboard Support (C).



- 7** Fit the Headboard Panel (A) to the Headboard Post (D).

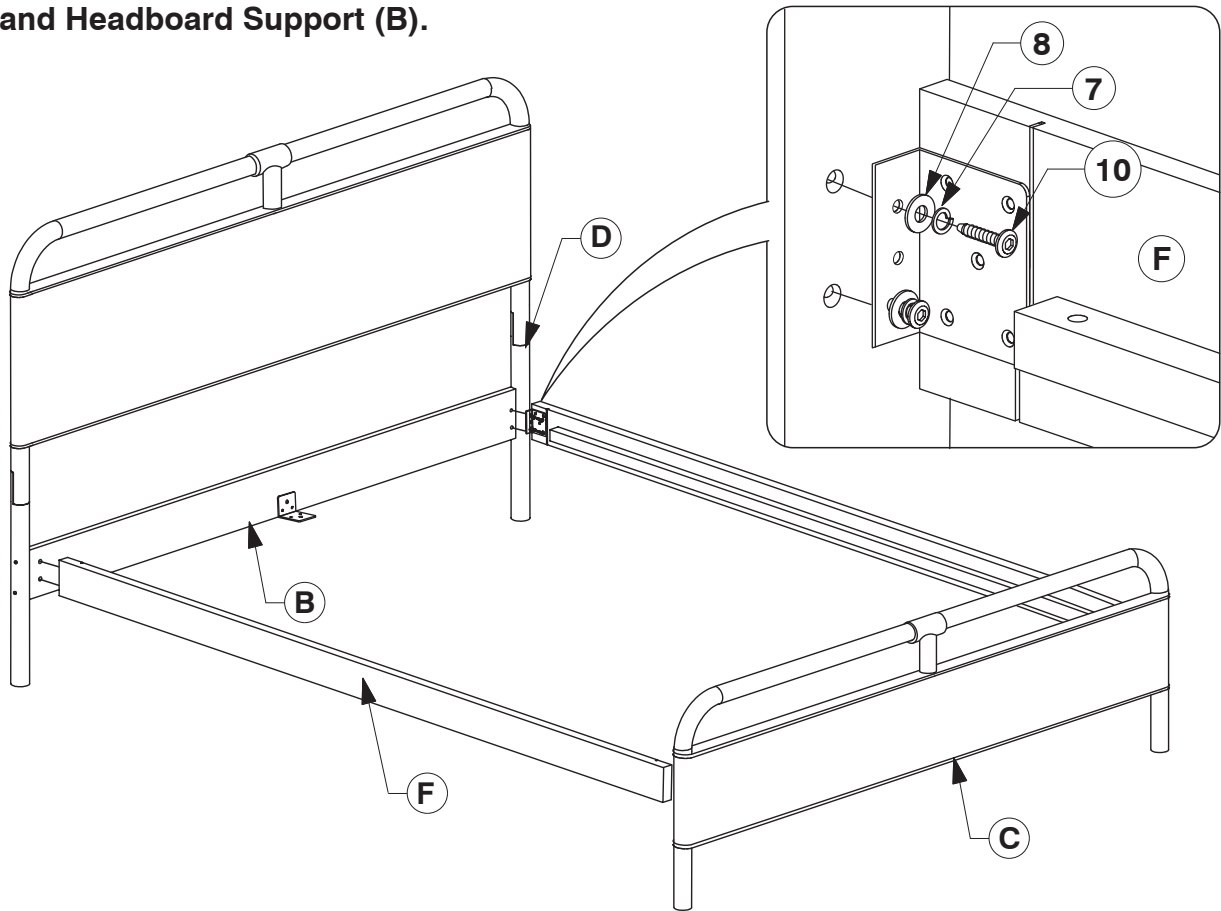


# 0110 Queen Bed

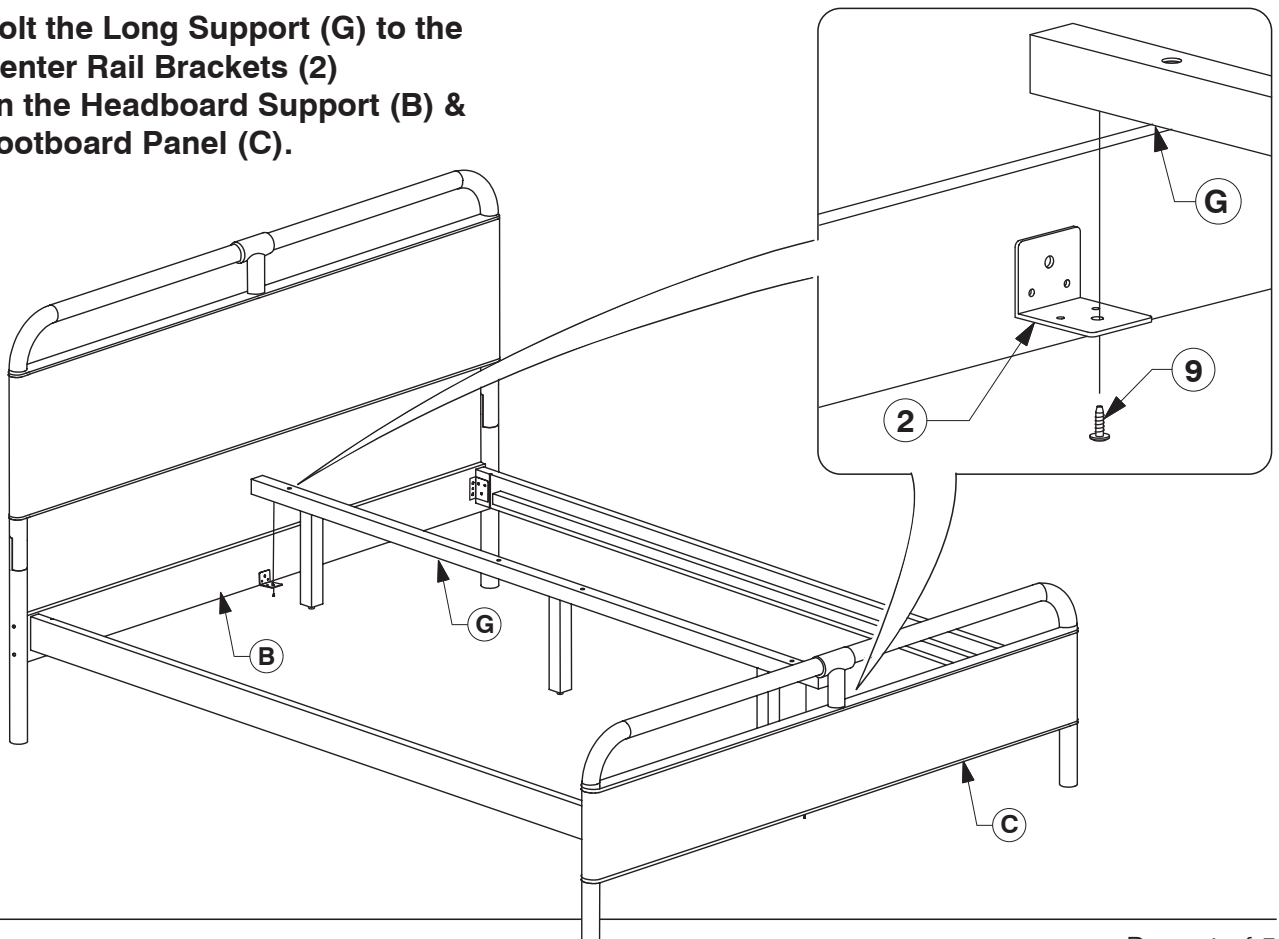
## Assembly Instructions

WI-0623

- 8** Assemble the Side Rail (F) to the Footboard Panel (C) and Headboard Support (B).



- 9** Bolt the Long Support (G) to the Center Rail Brackets (2) on the Headboard Support (B) & Footboard Panel (C).



# 0110 Queen Bed

## Assembly Instructions

WI-0623

### 10 Bolt & screw the Bed Slats (E) to the Side Rail (F).

