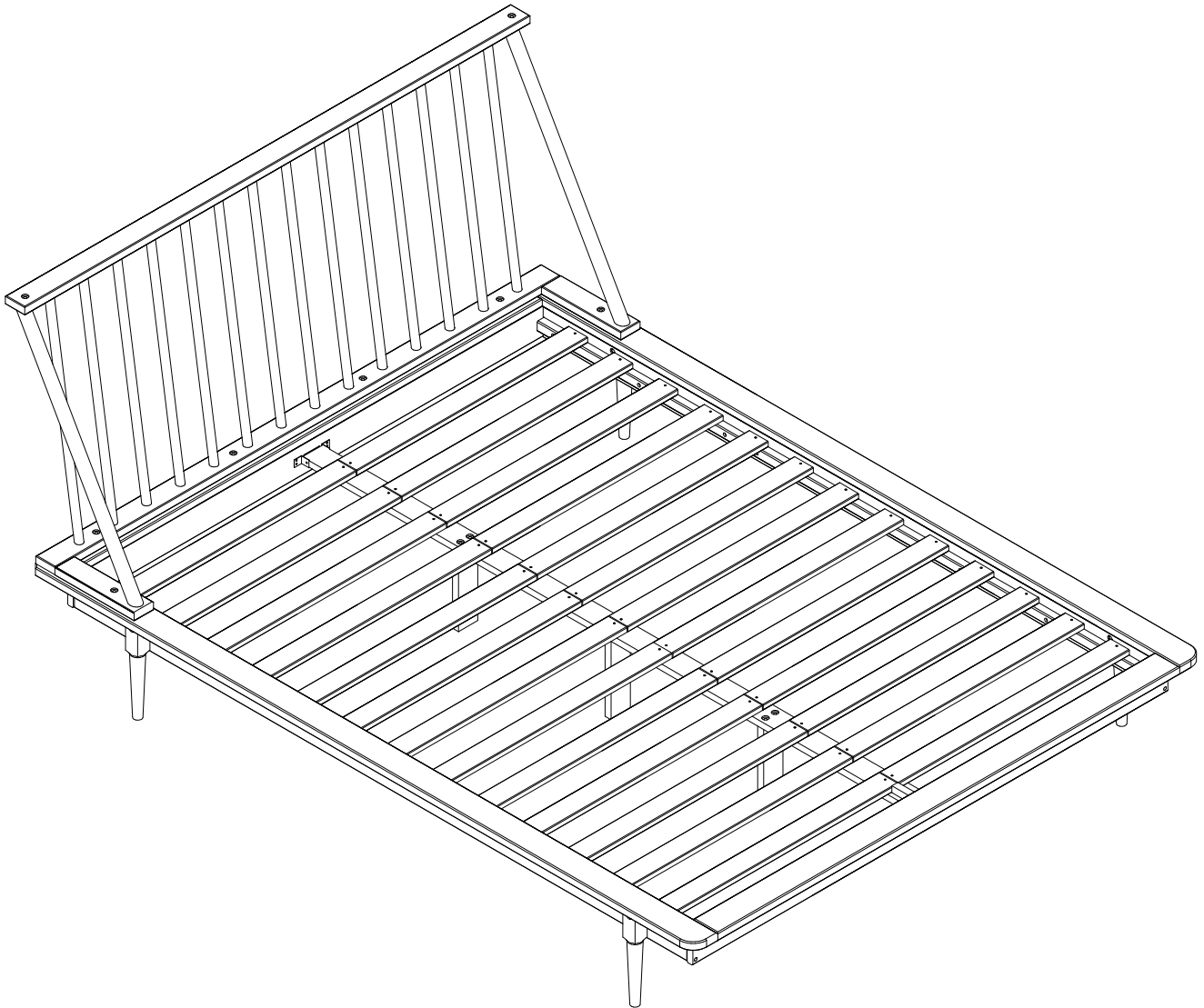


# Item #: BQSPIN

## Assembly Instructions

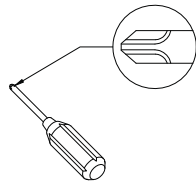


Please visit our website for the most current instructions, assembly tips, to report damage or request parts. [www.walkeredison.com](http://www.walkeredison.com)

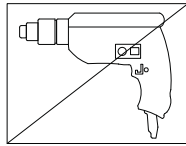
Revised 08/2023 - V6

# General Assembly Guidelines

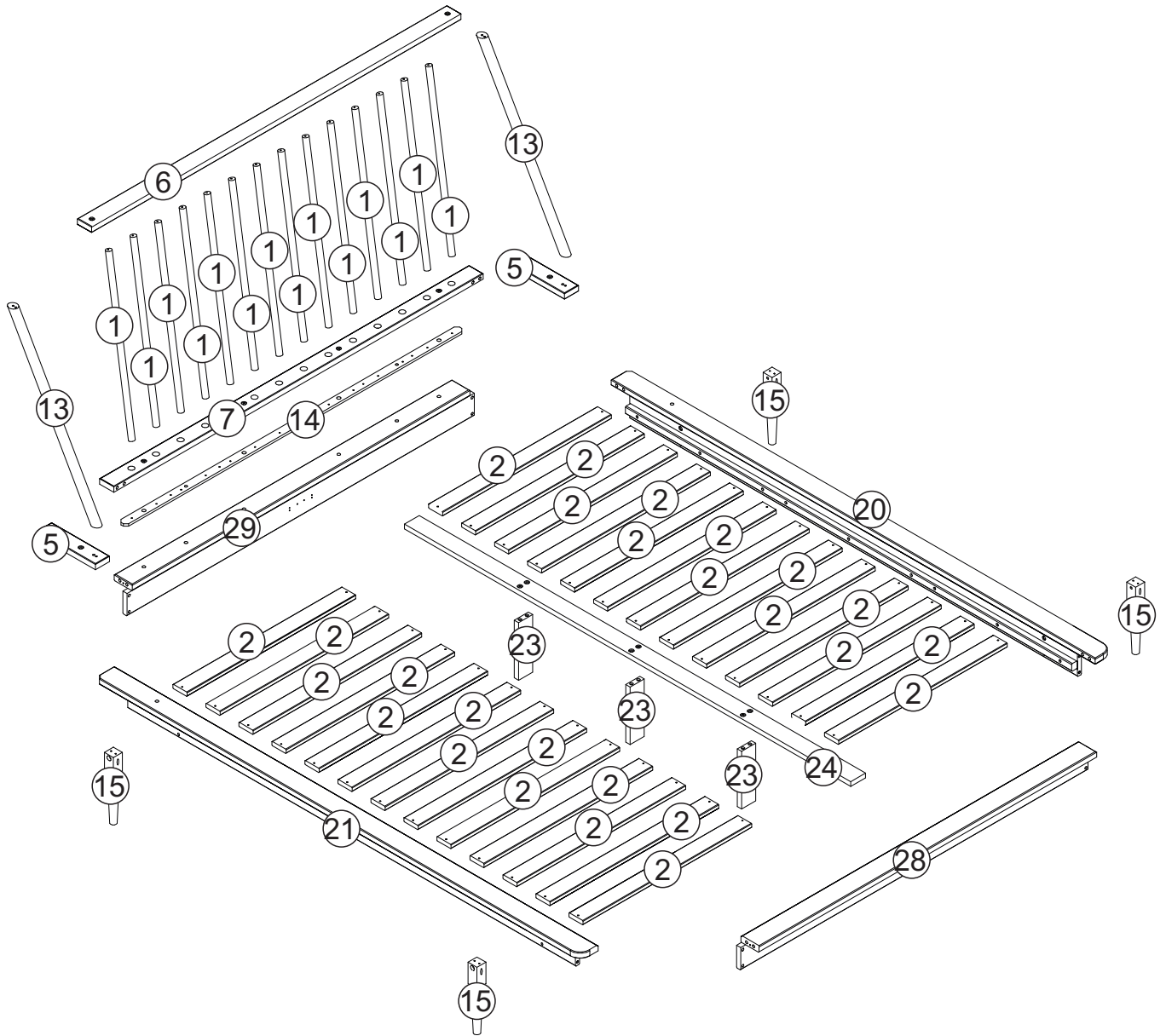
- I. Ensure that all parts and hardware are available before beginning assembly.
- II. Follow each step carefully to ensure the proper assembly of this product.
- III. Two people are recommended for ease in the assembly of this product.
- IV. The three main types of hardware used to assemble this product are wood dowels, screws and bolts.
- V. A Phillips head screwdriver is required for the assembly of this Product.



- VI. Power tools should not be used to assemble this product.



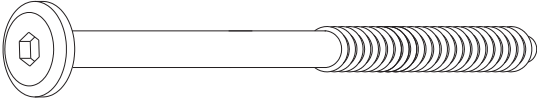

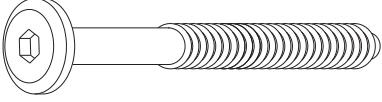
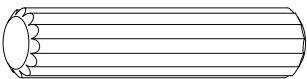
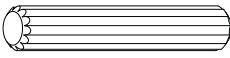

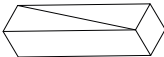
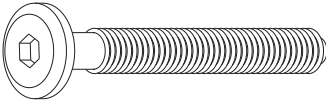
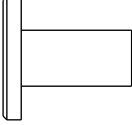

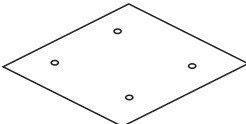
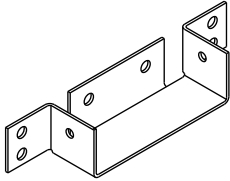
# Parts List



Part#	Description	Qty
1	Spindle	14 pcs
2	Slats	26 pcs
5	Bracket	02 pcs
6	Top rail	01 pcs
7	Bottom rail	01 pcs
13	Support beam	02 pcs
14	Spindle Support Rail Lower	01 pcs

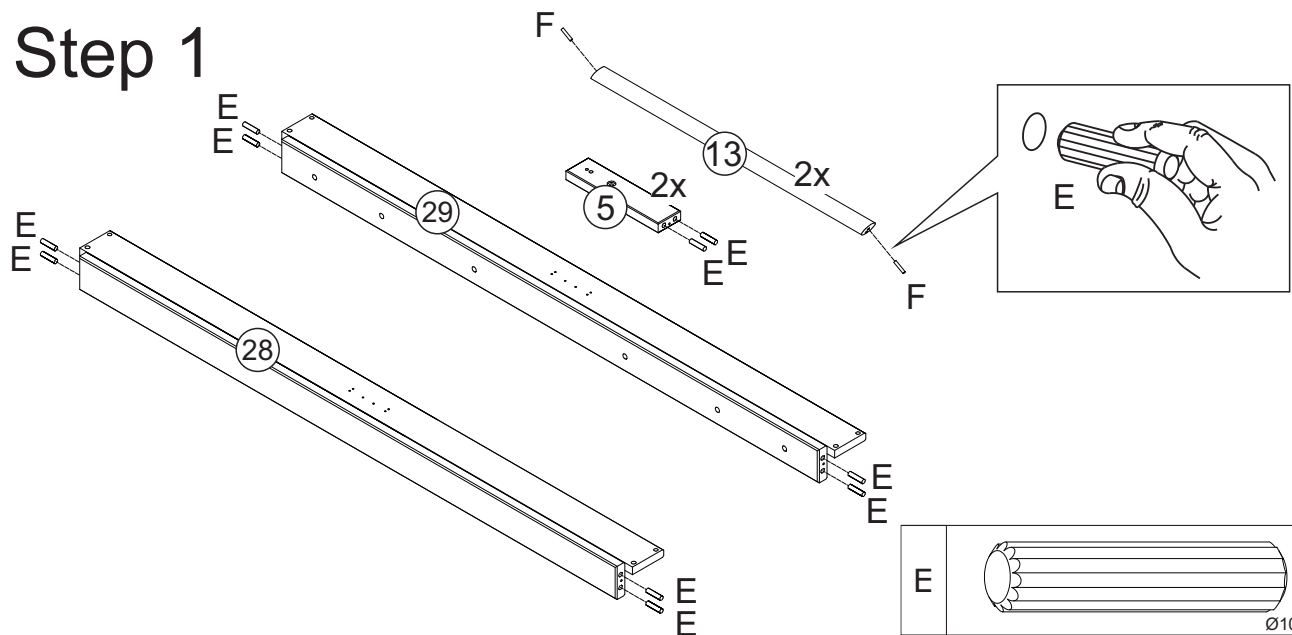
Part#	Description	Qty
15	Feet	04 pcs
20	Right side rail	01 pcs
21	Left side rail	01 pcs
23	Middle foot support	03 pcs
24	Cross bar	01 pcs
28	Front rail	01 pcs
29	Back rail	01 pcs

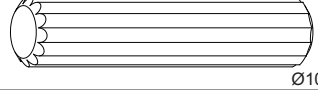
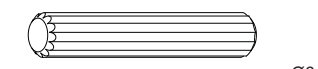
# Hardware List

A		ø7,0*70mm	Bolt	14 pcs
B		ø3.5*30mm	Screw	94 pcs
D		ø7,0*50mm	Bolt	08 pcs
E		ø10*40mm	Wood dowel	14 pc
F		ø6*30mm	Wood dowel	04 pc
J			Hex key	02 pc
L		82 mm	Spacer	02 pcs
M		ø1/4*40mm	Bolt	10 pcs
N		ø1/4	Union Screw	10 pcs
P		ø4.0*16mm	Screw	28 pcs
Q			Metal Plate Connector	02 pcs
R			Center bar support	02 pcs

*The hardware quantities listed above are required for proper assembly.  
Some extra hardware may also have been included.*

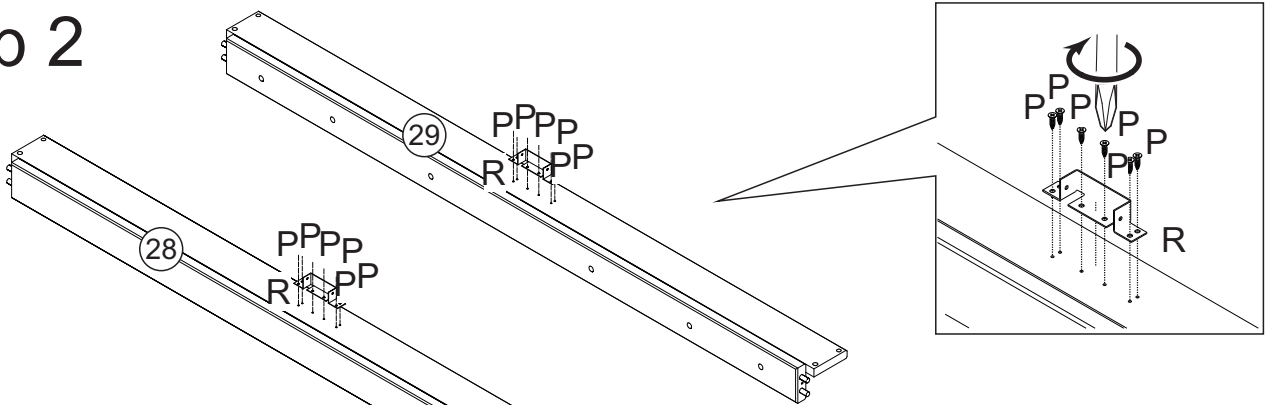
# Step 1

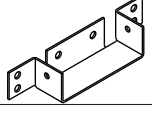



E	 Ø10x40mm	12
F	 Ø6x30mm	4

Insert wood dowels (E) into parts 5,28,29  
Insert wood dowels (F) into parts 13

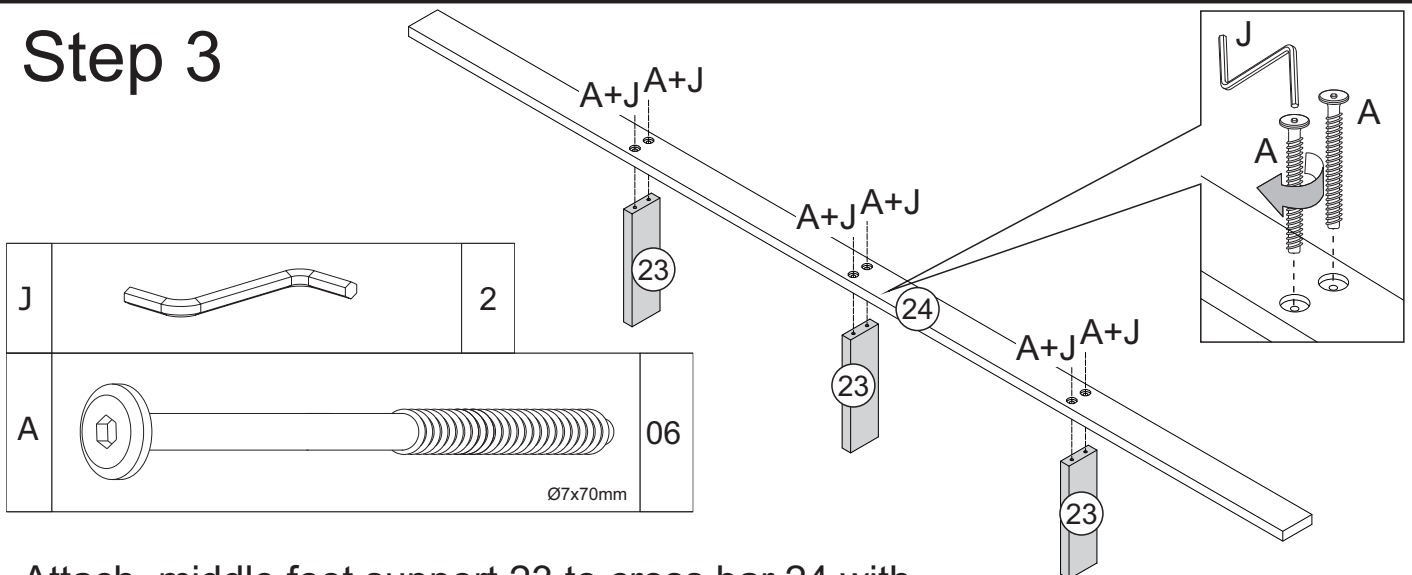
# Step 2


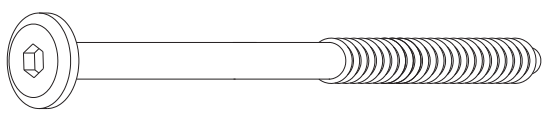


R		2
P	 Ø4x16mm	12

Attach center bar support (R) into parts 28,29 with screw (P) using a Phillips head screwdriver (not included).

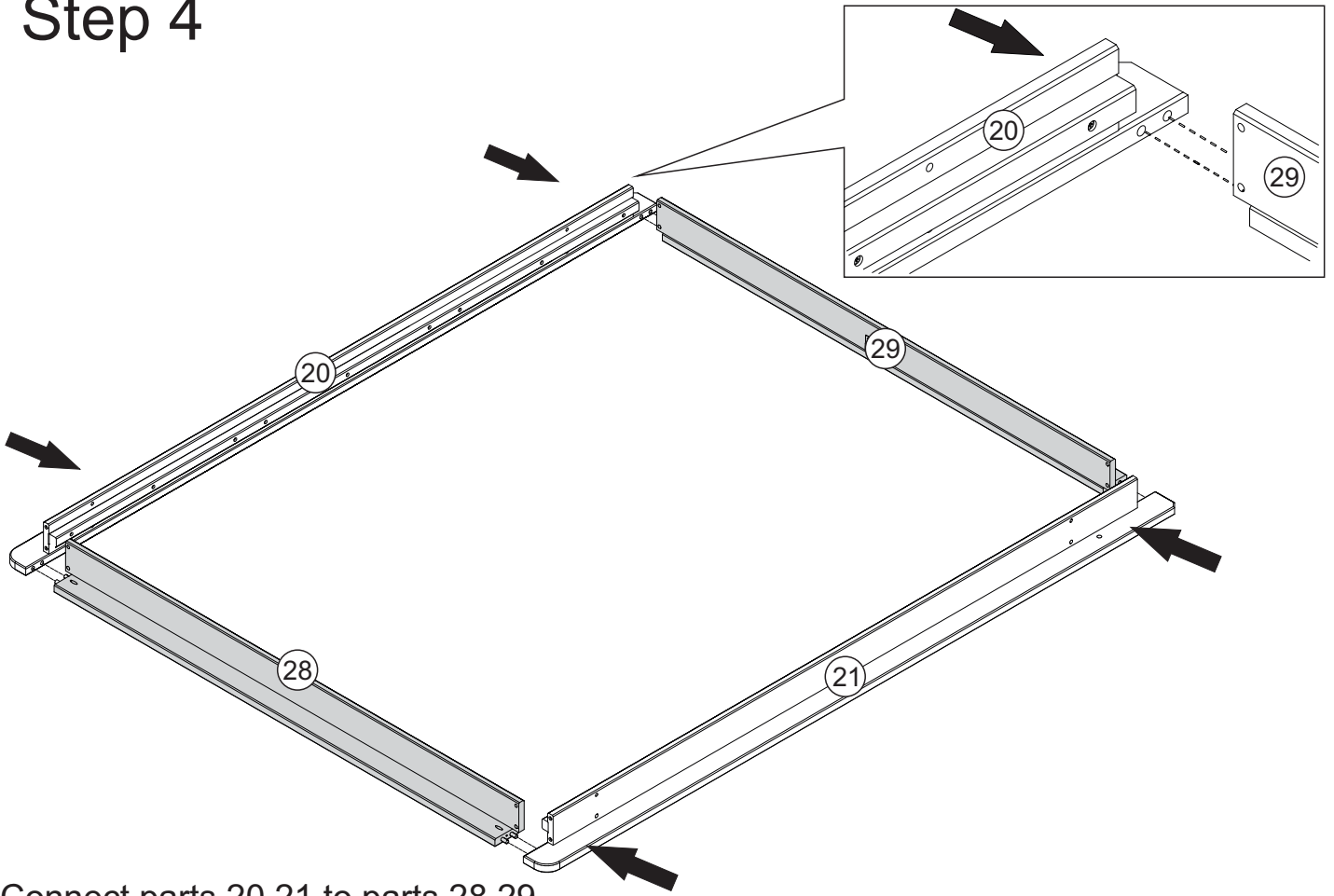
# Step 3



J		2
A	 Ø7x70mm	06

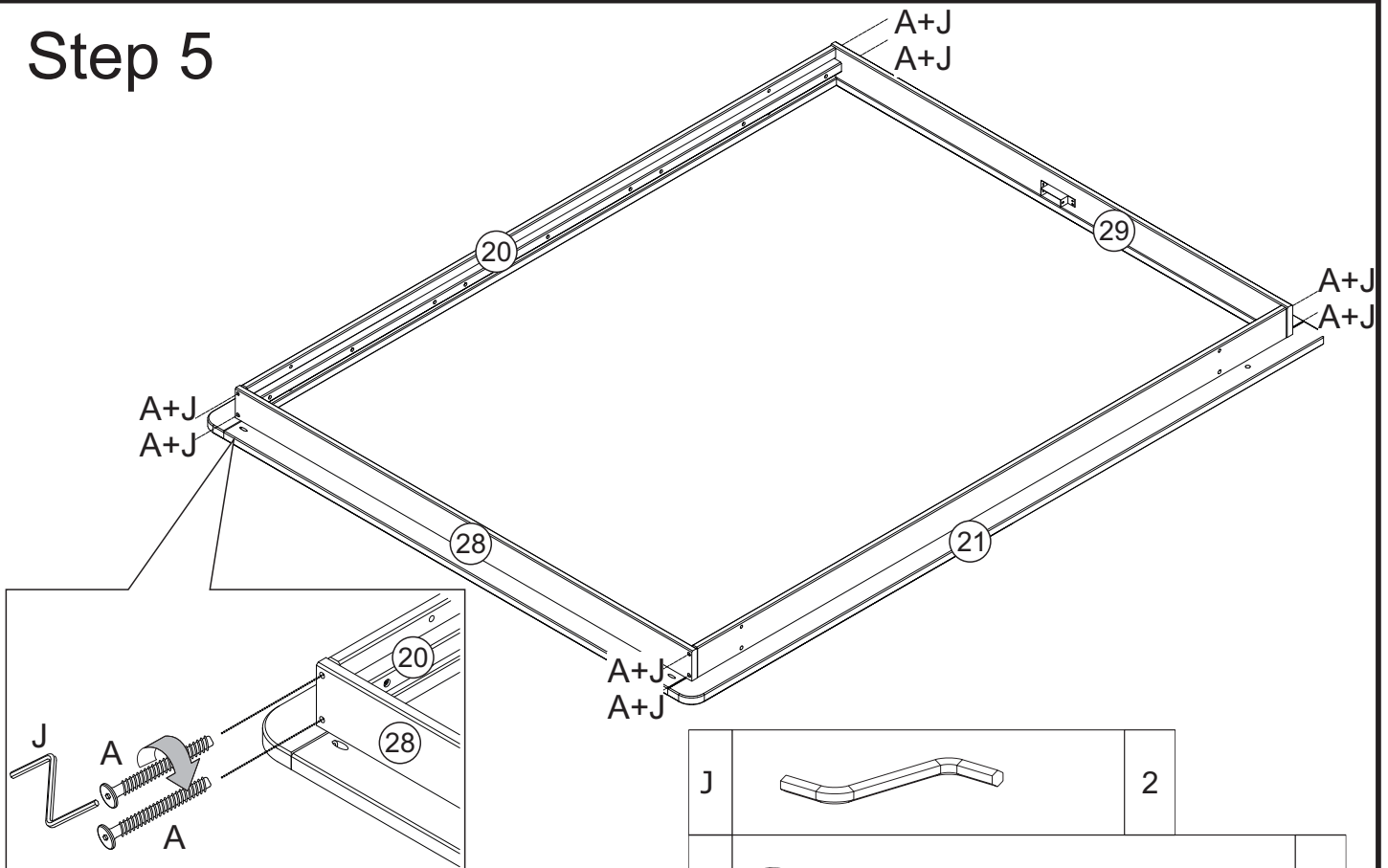
Attach middle foot support 23 to cross bar 24 with screw (A) using the hex key (J).

# Step 4



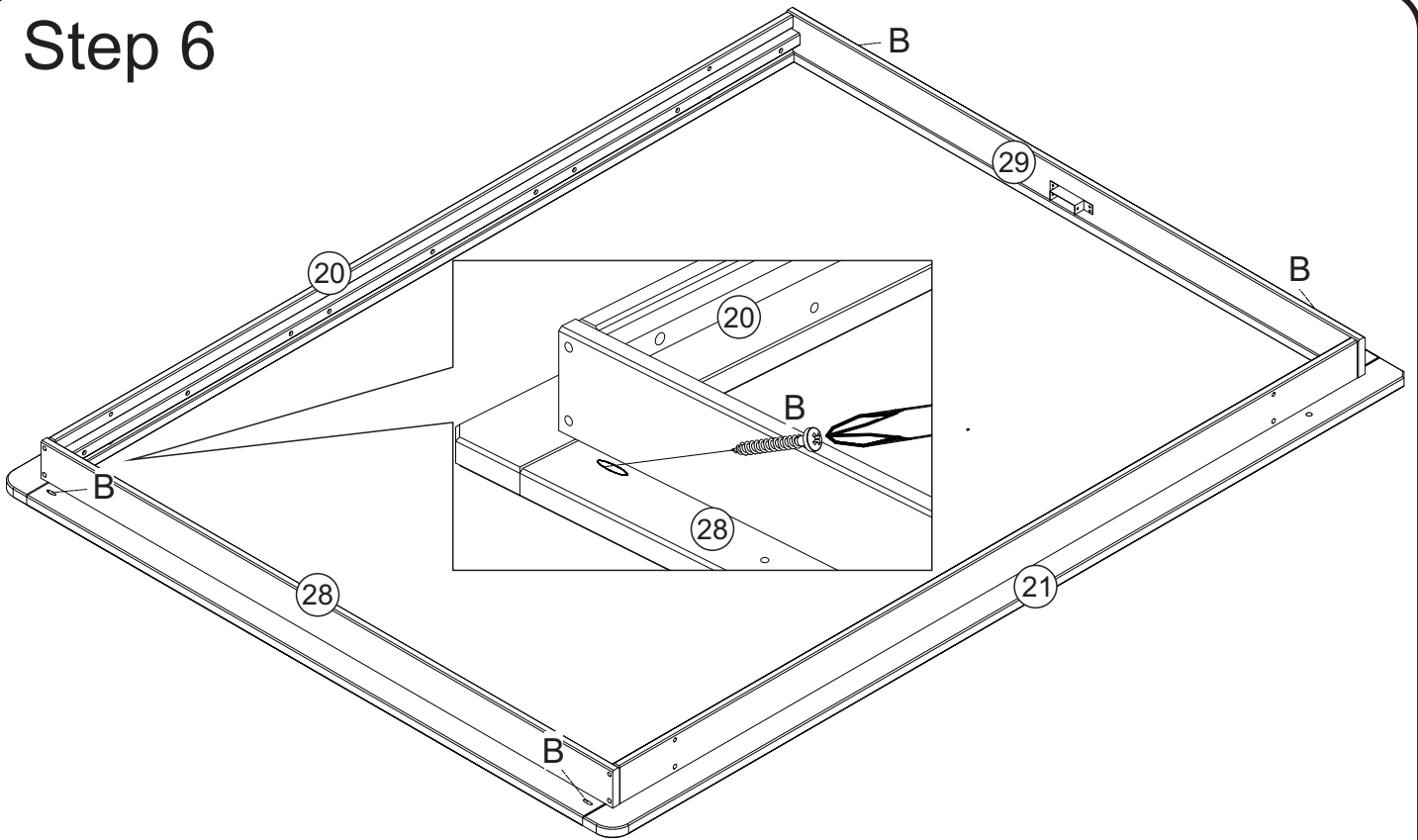
Connect parts 20,21 to parts 28,29.

# Step 5




Secure parts 20,21 to parts 28,29 with screws (A), using the hex key (J).

# Step 6

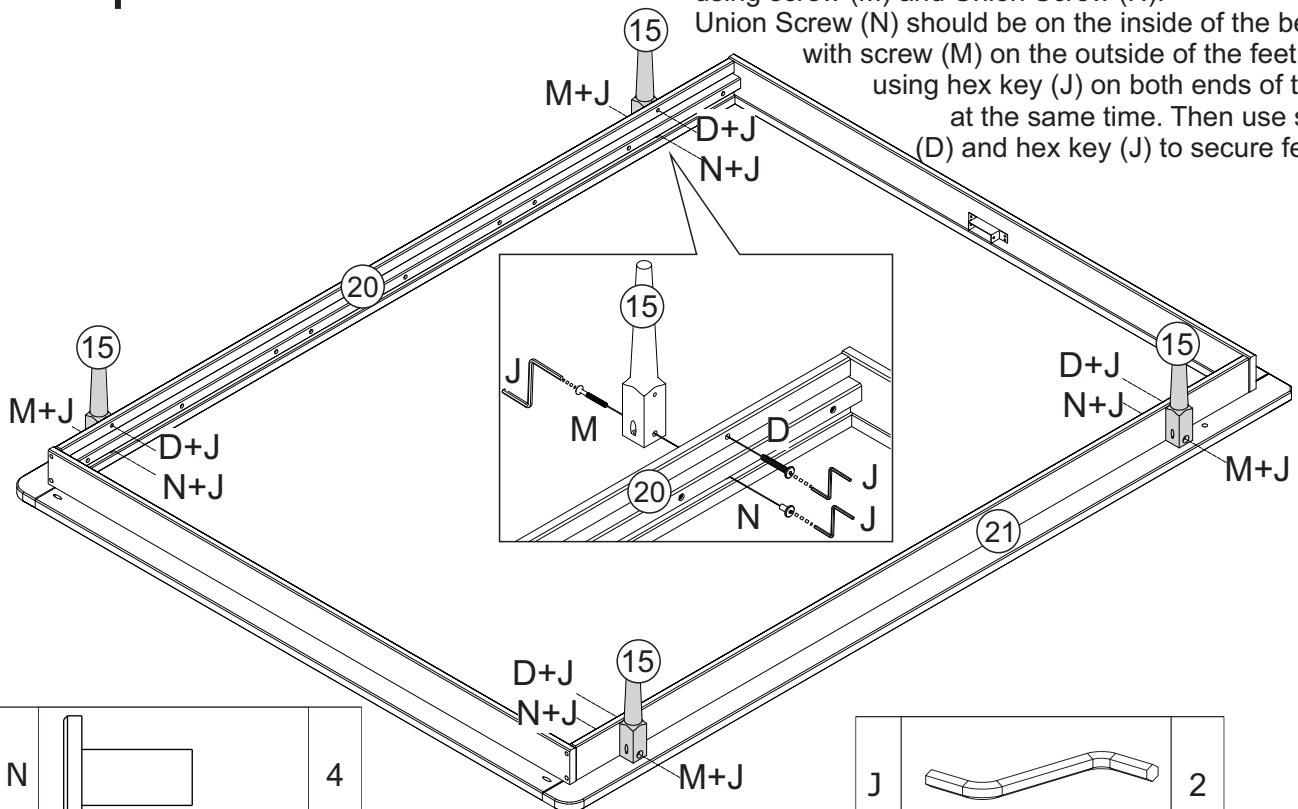


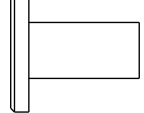
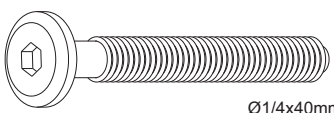
Connect parts 28,29 to parts 20,21 with screw B, using a Phillips head screwdriver (not included).


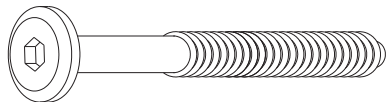
B		4
		Ø3,5x30mm

# Step 7

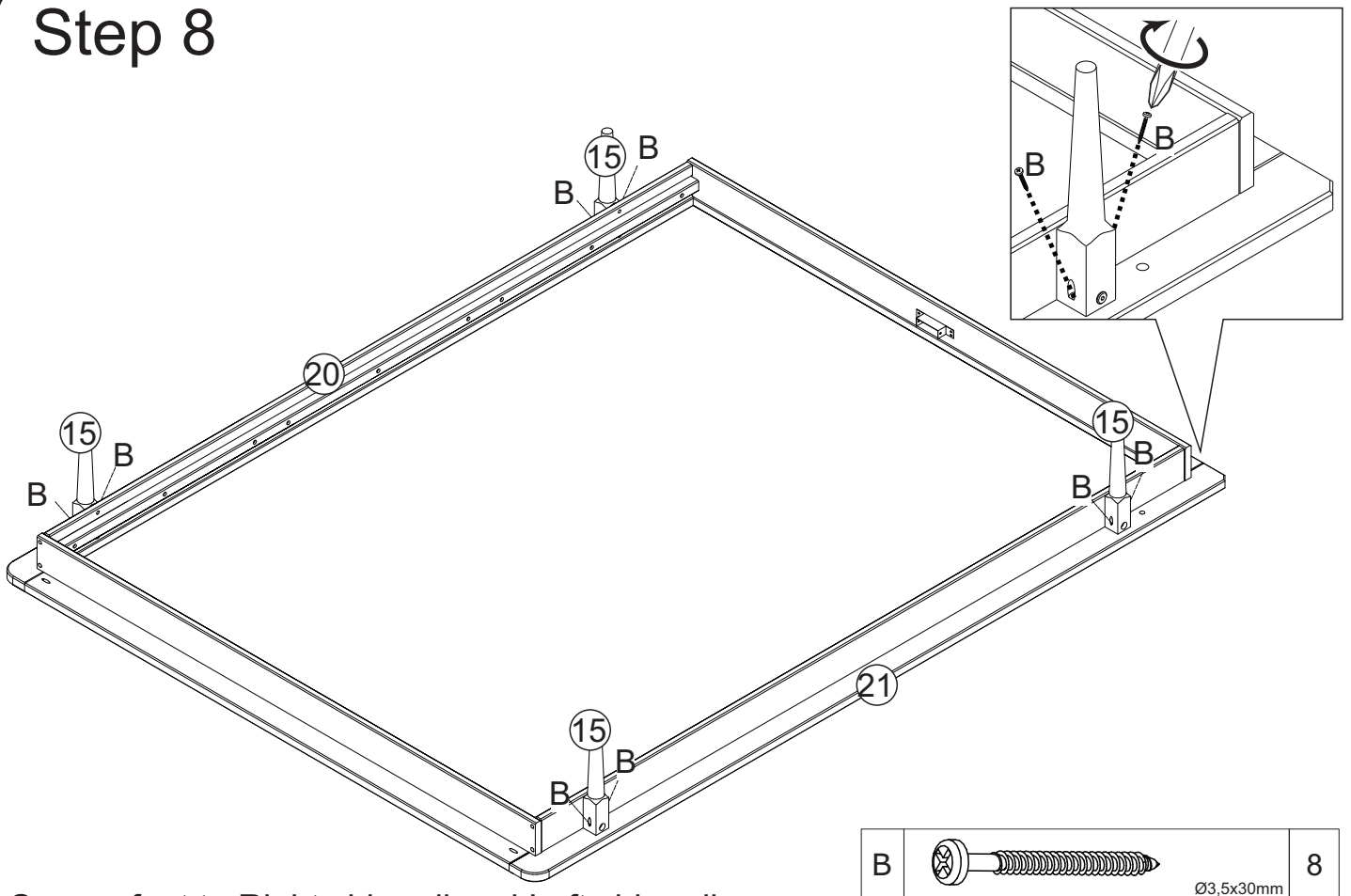
Attach feet 15 to Right side rail and Left side rail 20,21 using screw (M) and Union Screw (N). Union Screw (N) should be on the inside of the bed frame, with screw (M) on the outside of the feet. Tighten using hex key (J) on both ends of the screw, at the same time. Then use screw (D) and hex key (J) to secure feet 15



N		4
M		4
		Ø1/4x40mm

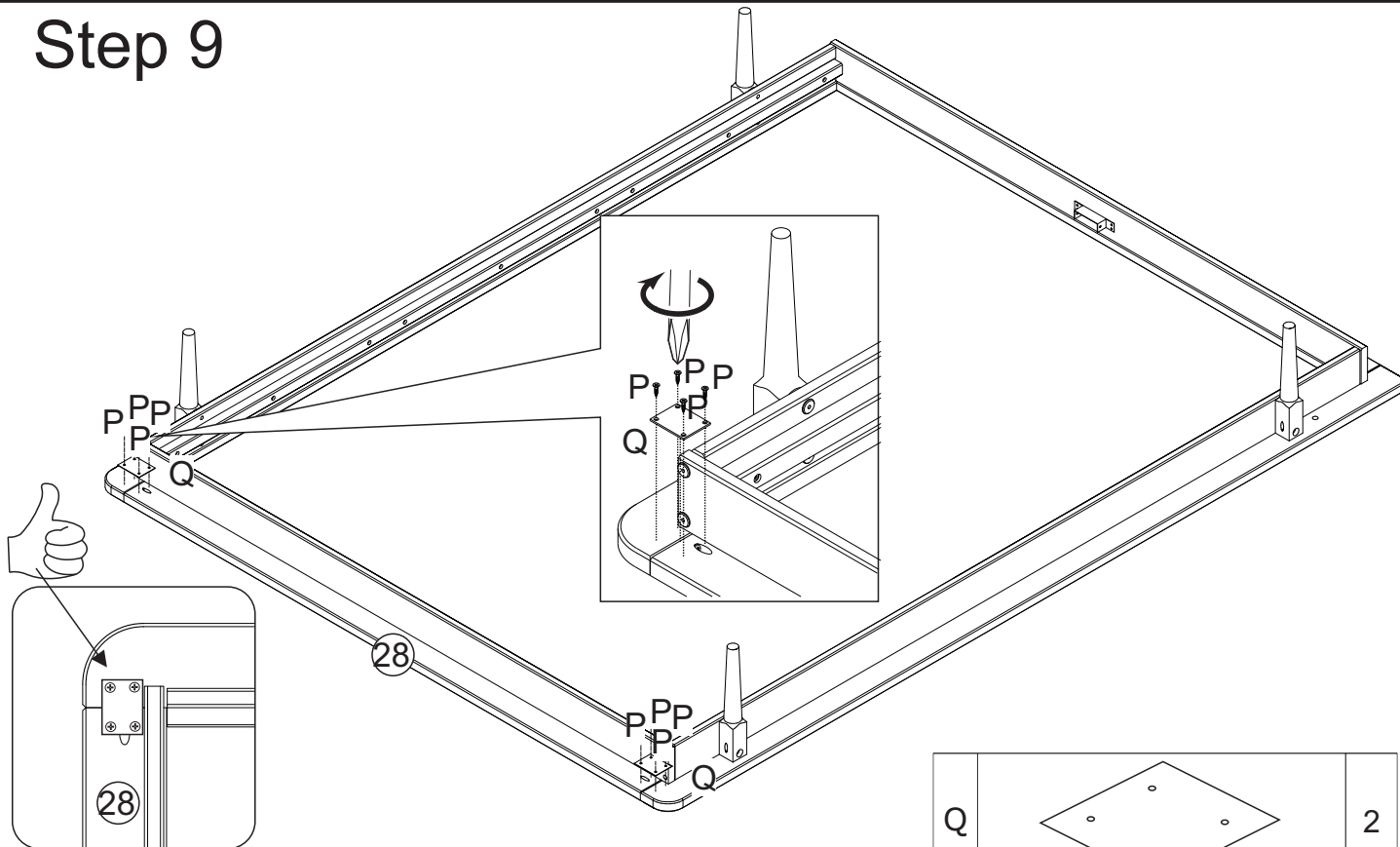
J		2
D		4
		Ø7x50mm

# Step 8



Secure feet to Right side rail and Left side rail, with screw (B) using a Phillips head screwdriver (not included).

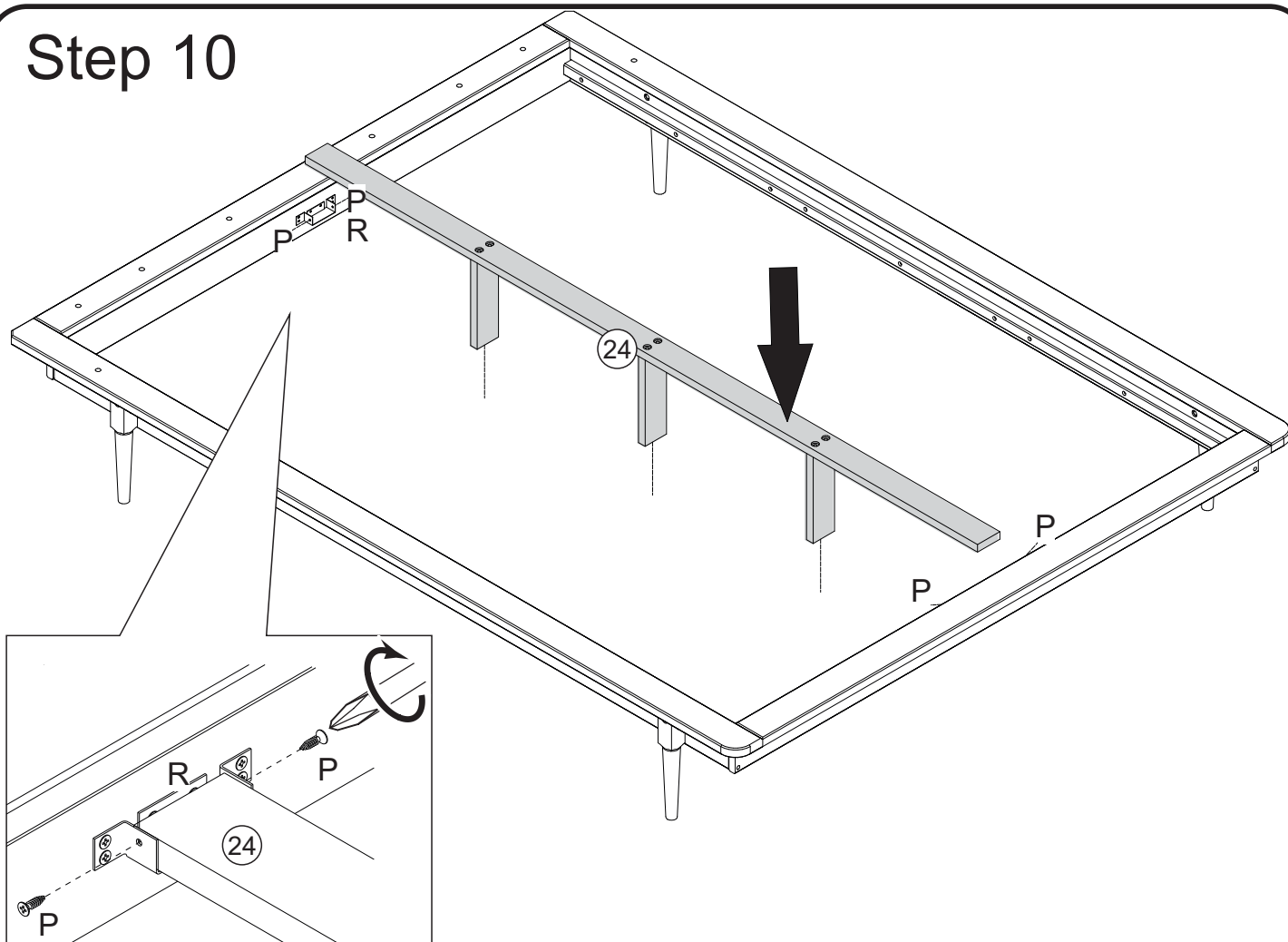
# Step 9




Attach the metal connector plate (Q) to the 2 corners of the bed with screw (P), using a Phillips head screwdriver (not included).



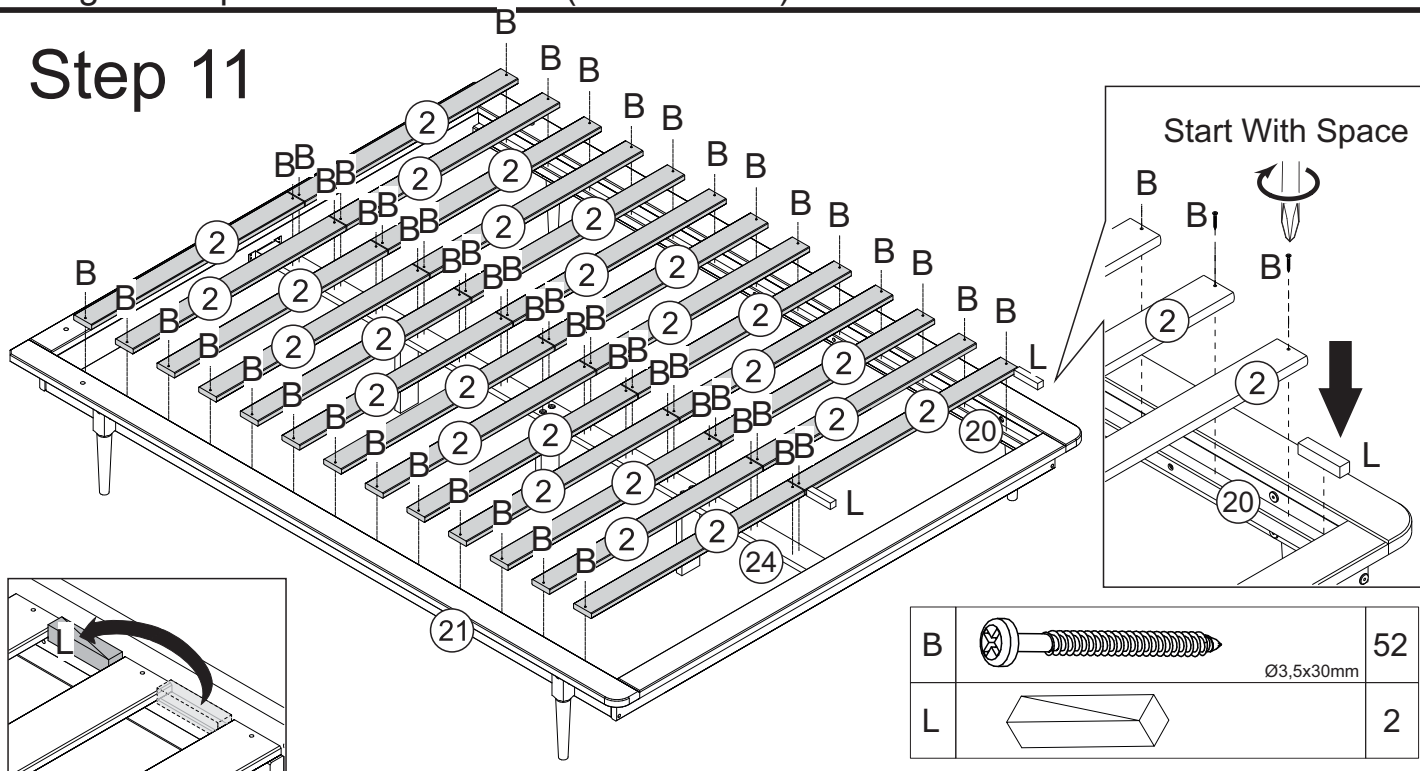
# Step 10




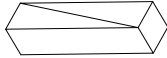
Secure part 24 to center bar support (R) with screw (P) using a Phillips head screwdriver (not included).

P		Ø4x16mm	4
---	---	---------	---

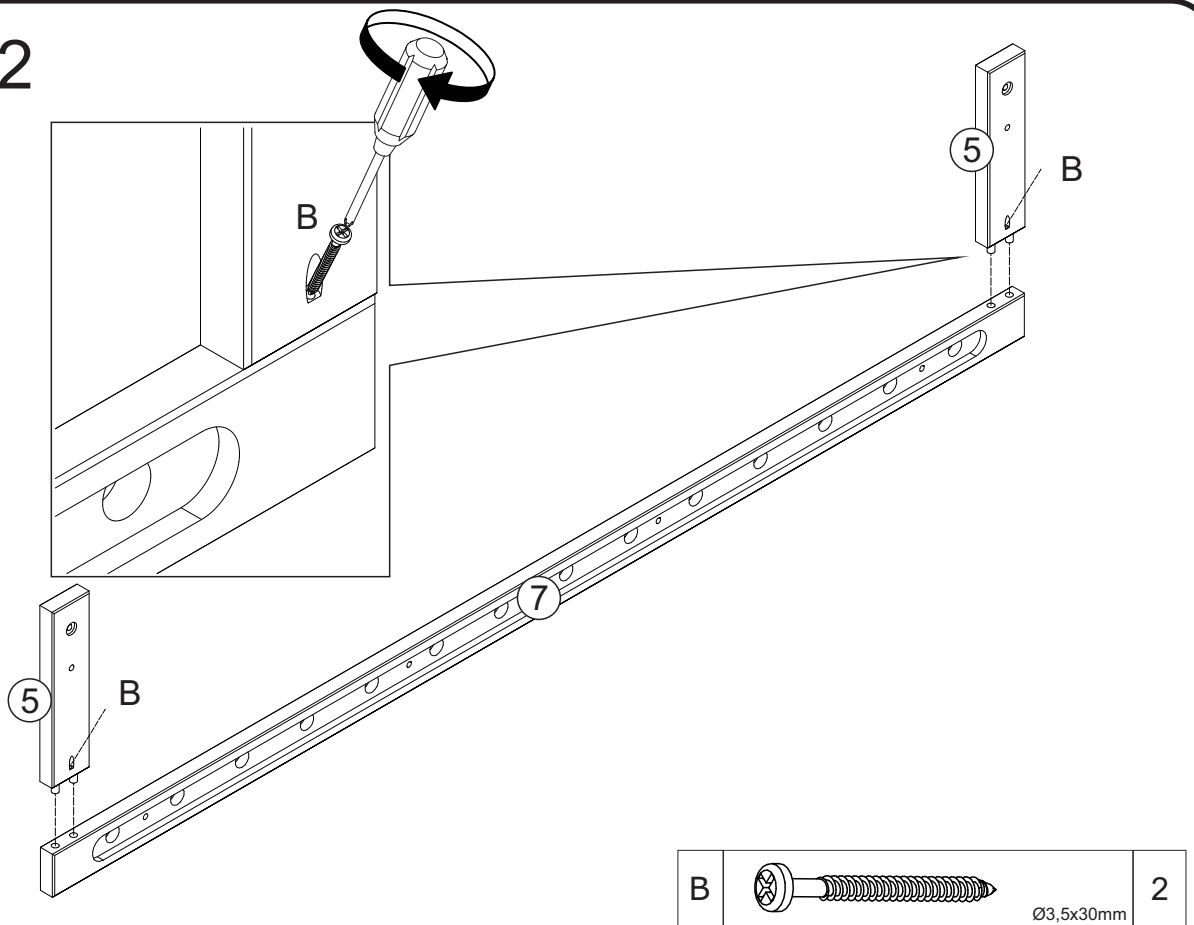
# Step 11



Place part 2 onto parts 20,24 and parts 21,24. Use part (L) to space part 2 from the end and secure with screw (B) using a Phillips head screwdriver. Move part (L) to space the next part 2, secure with screw (B), and repeat this process with the remaining parts 2.

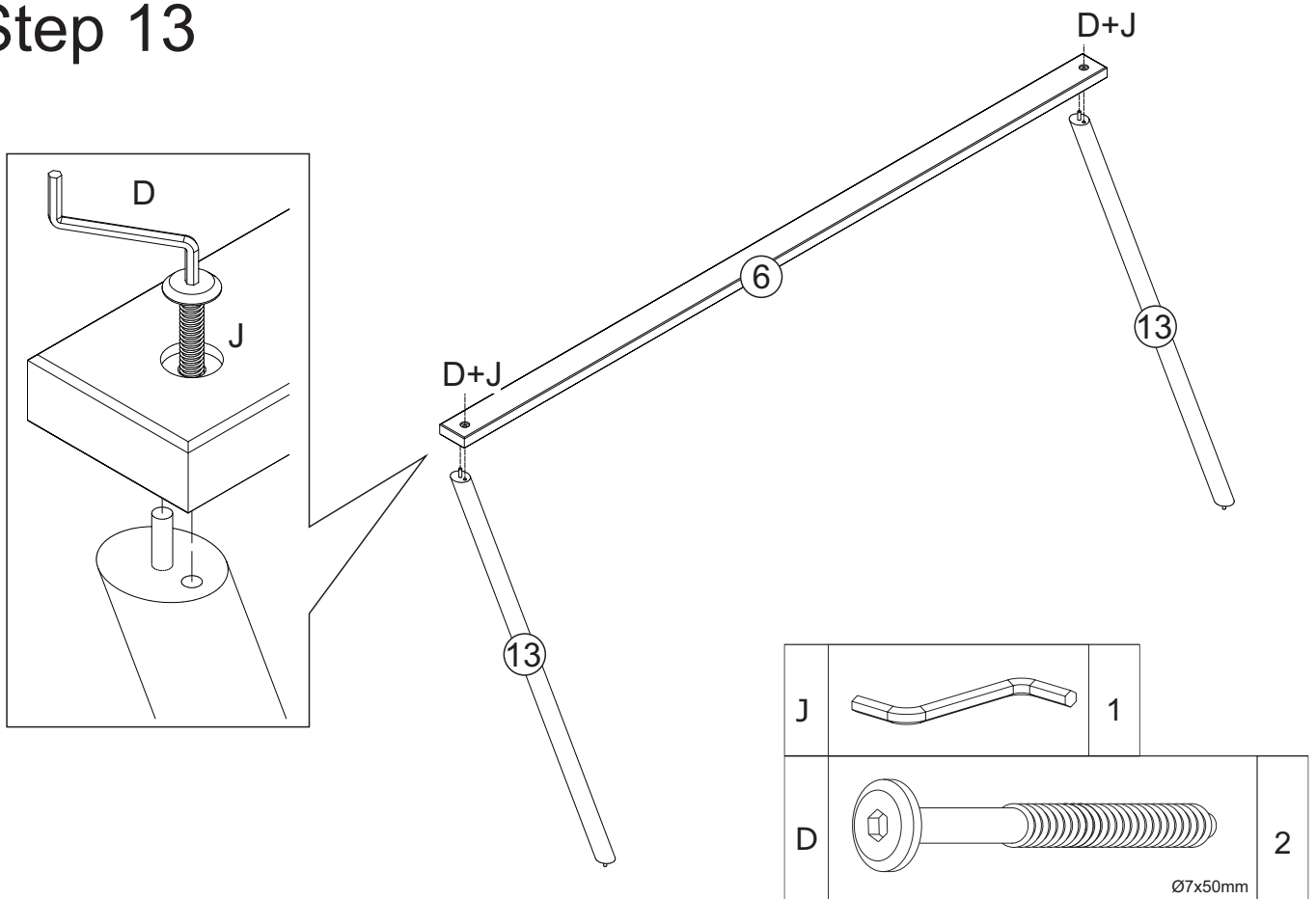
B		Ø3,5x30mm	52
L			2

# Step 12



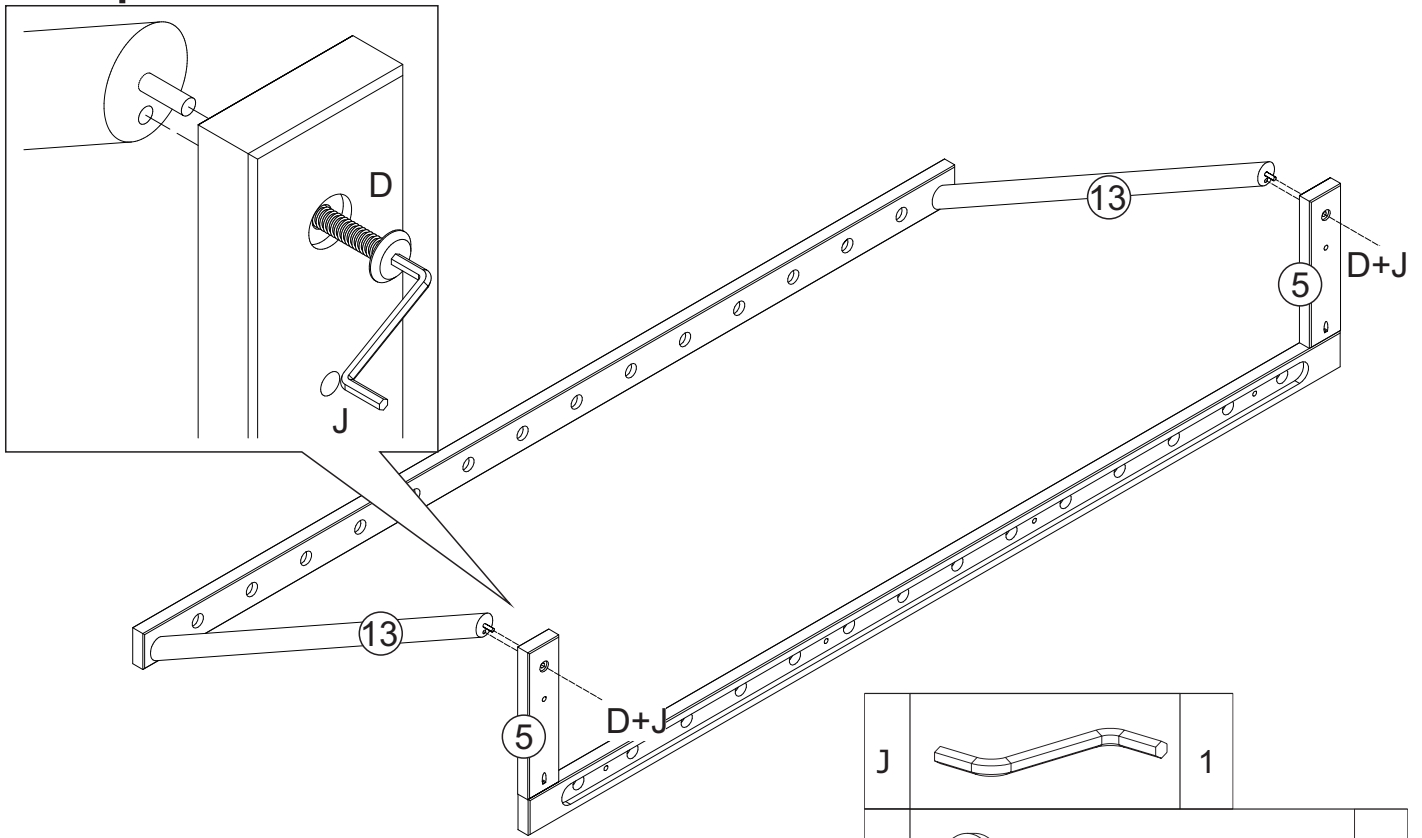
Connect parts 5 to part 7. Note the drawing for location of pocket hole. Secure parts 5 to part 7 with the screw (B) using a Phillips head screwdriver (not included).

# Step 13



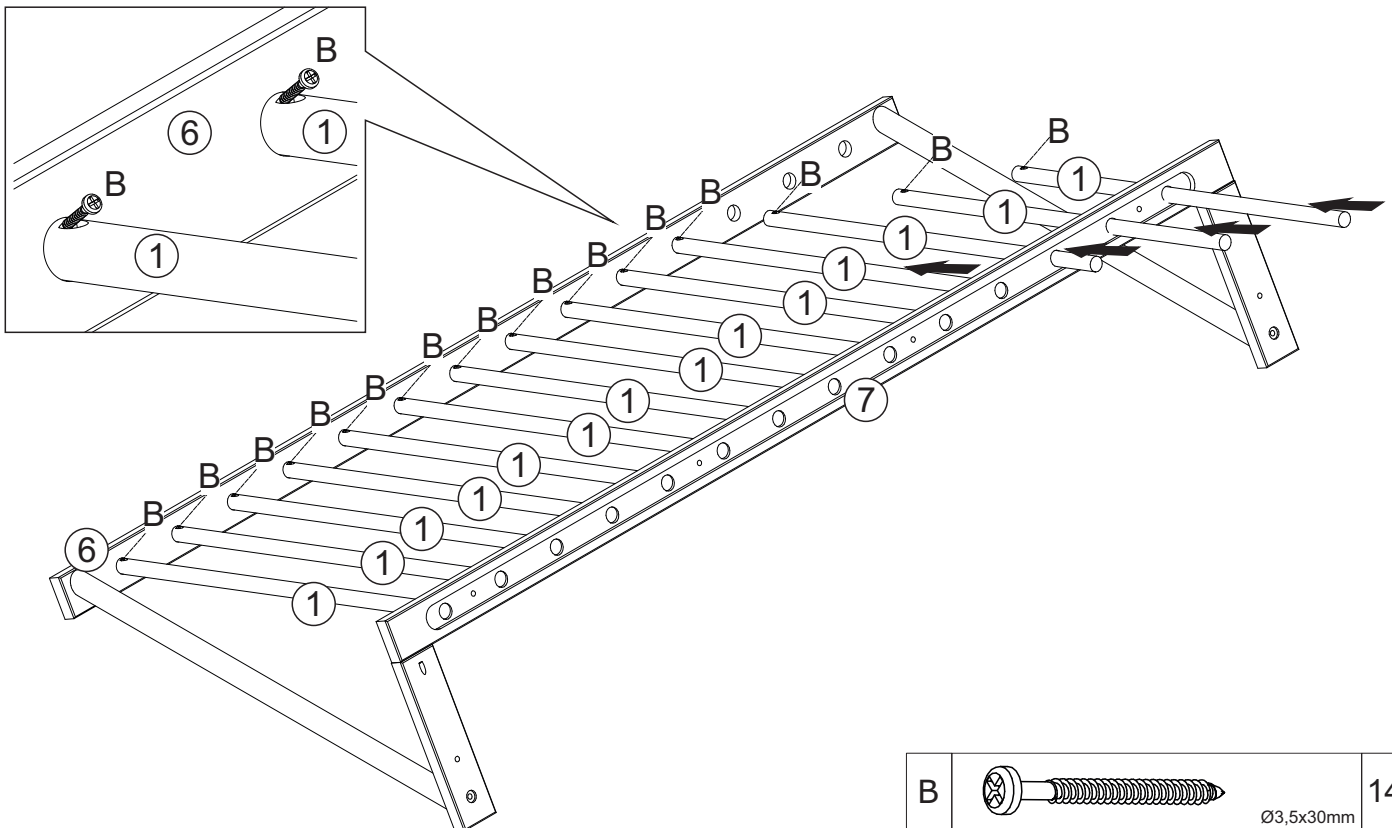
Attach parts 13 to part 6 with the bolt D using a hex key (J).

# Step 14



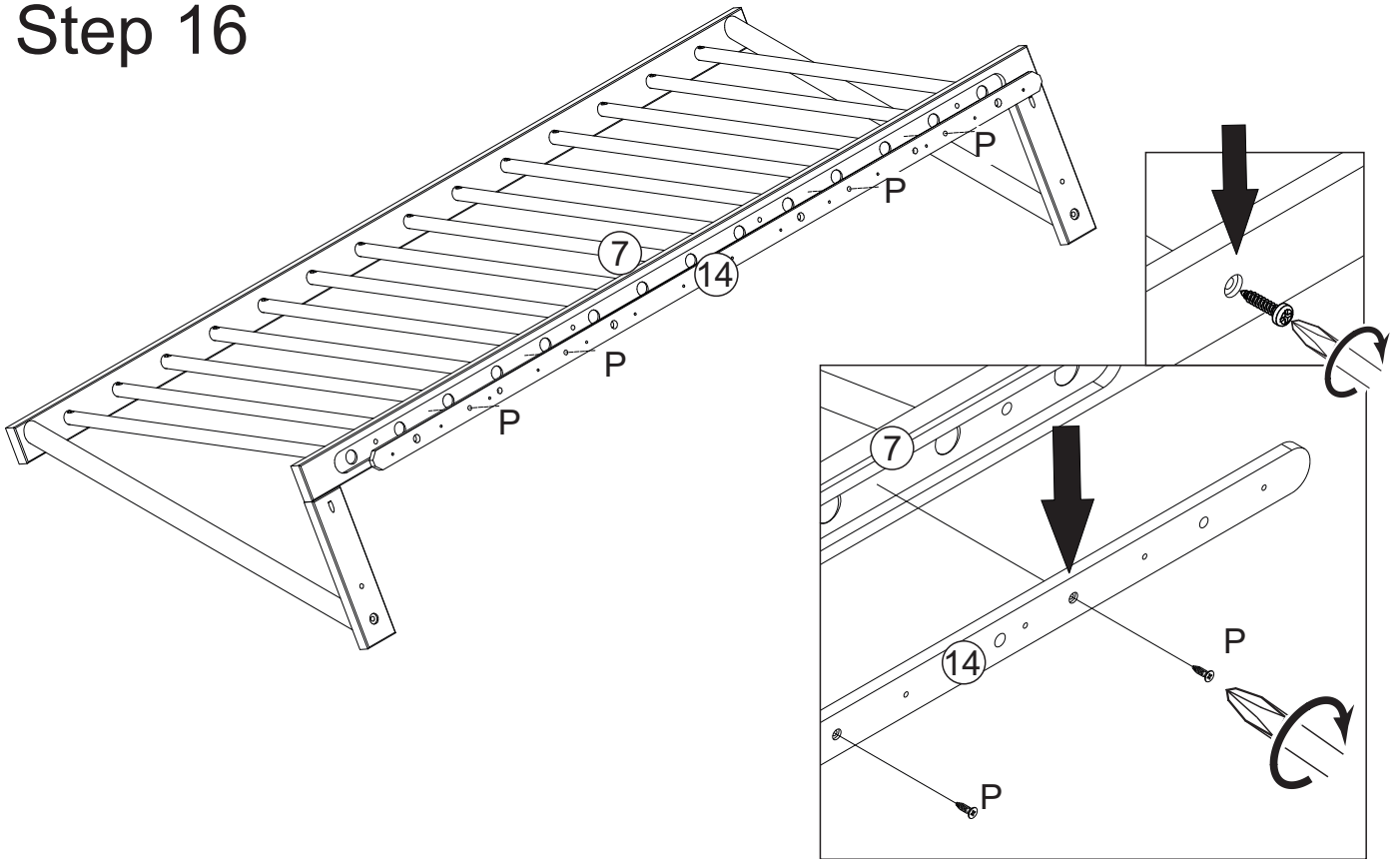
Start at one end of the headboard. Fit large spindle 13 into part 5 and secure with screw (D) using a hex key (J).

# Step 15




Insert the Spindle 1 underneath and the Screw (B) to connect to Part 6 using a Phillips head screwdriver (not included).

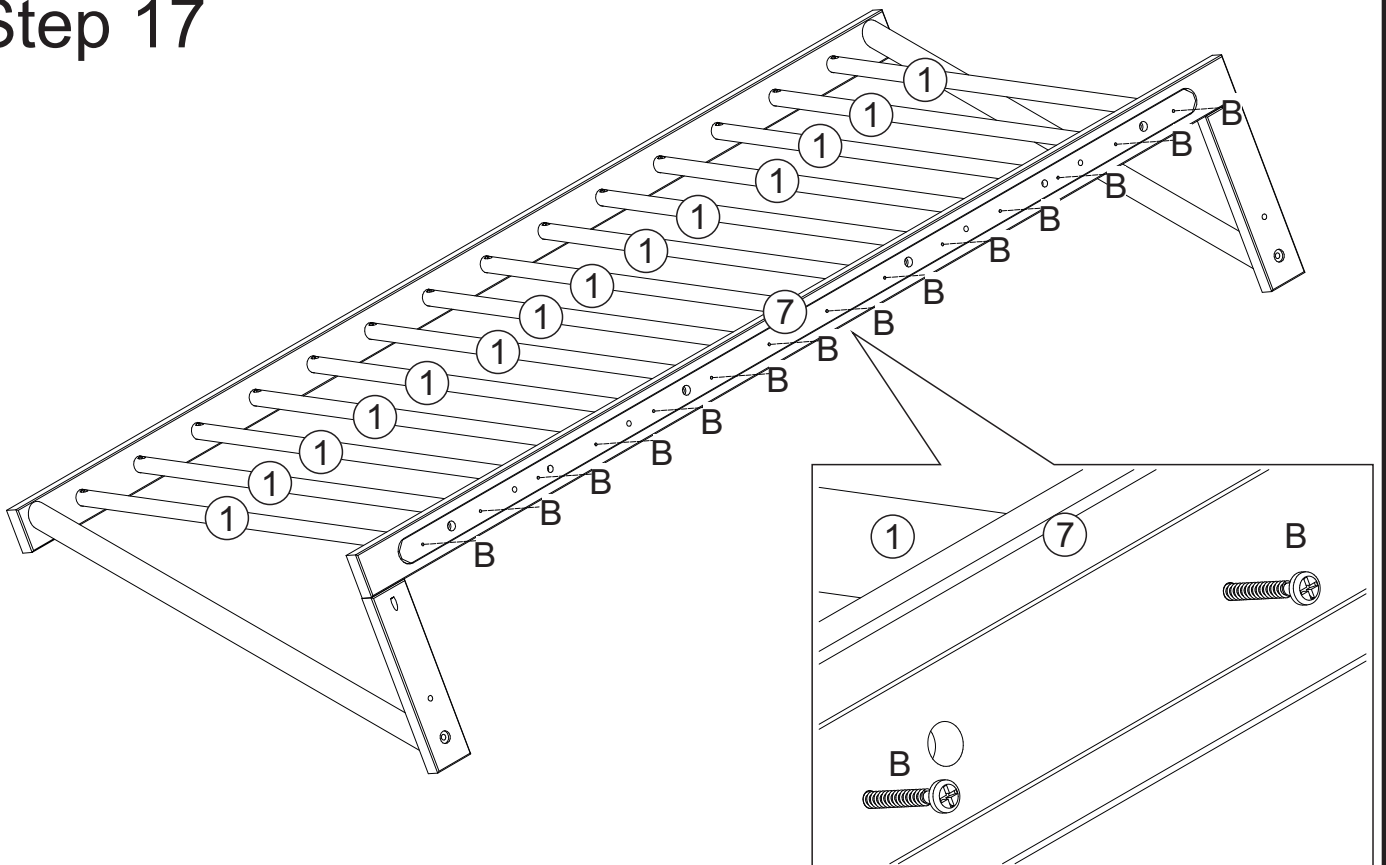
# Step 16




Insert Headboard slat 14 on part 7, with screws (P), using a Phillips head screwdriver (not included).

P		Ø4x16mm	4
---	---	---------	---

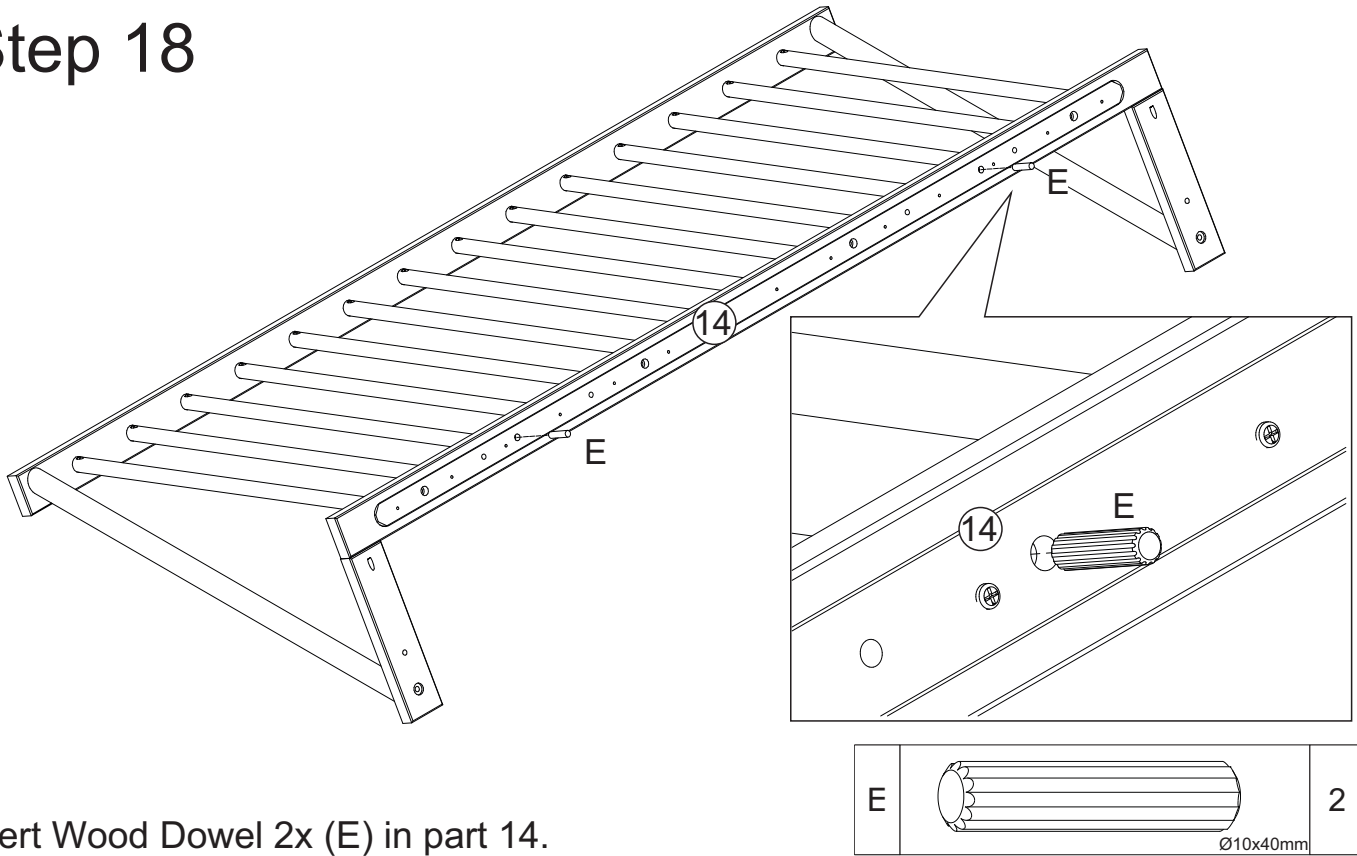
# Step 17



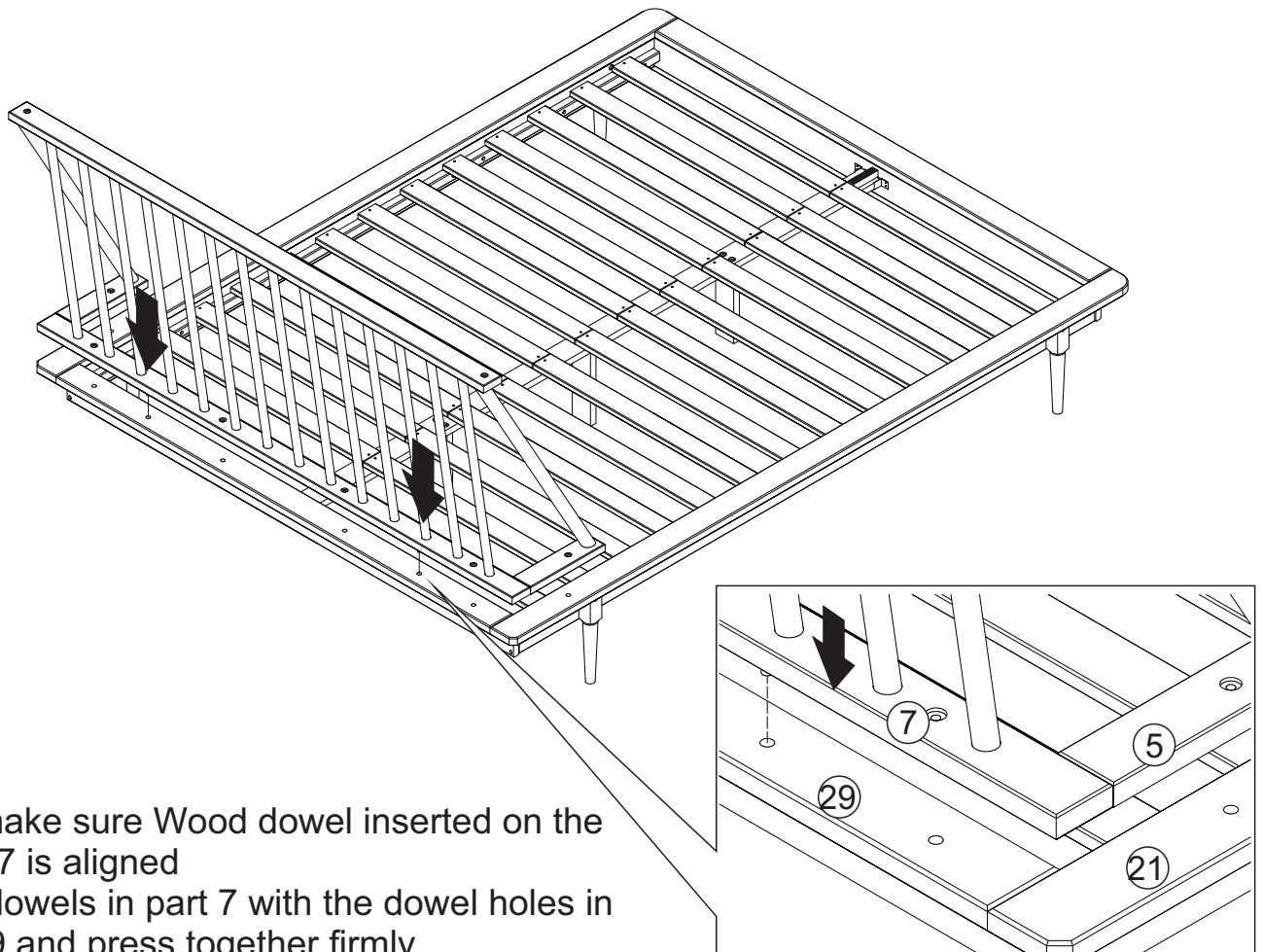
Insert screws (B) in the spindles 1 using a Phillips head screwdriver (not included).

B		Ø3,5x30mm	14
---	---	-----------	----

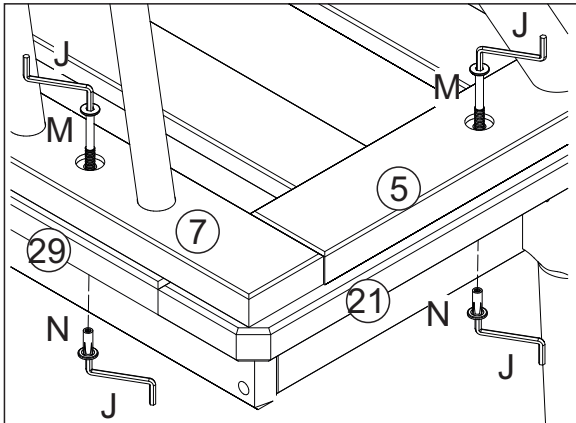
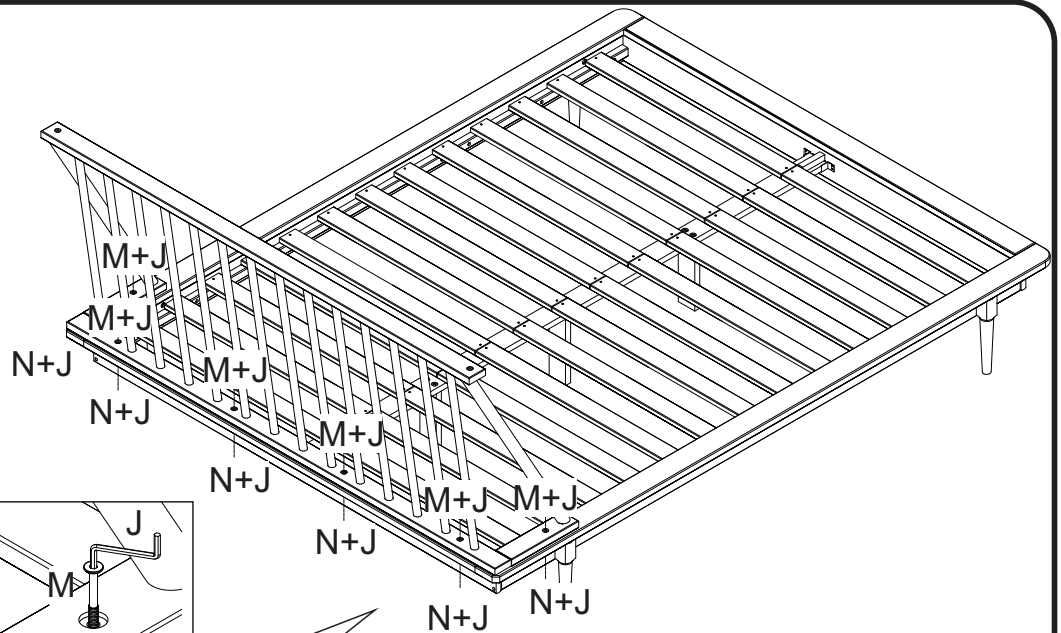
## Step 18



## Step 19



# Step 20

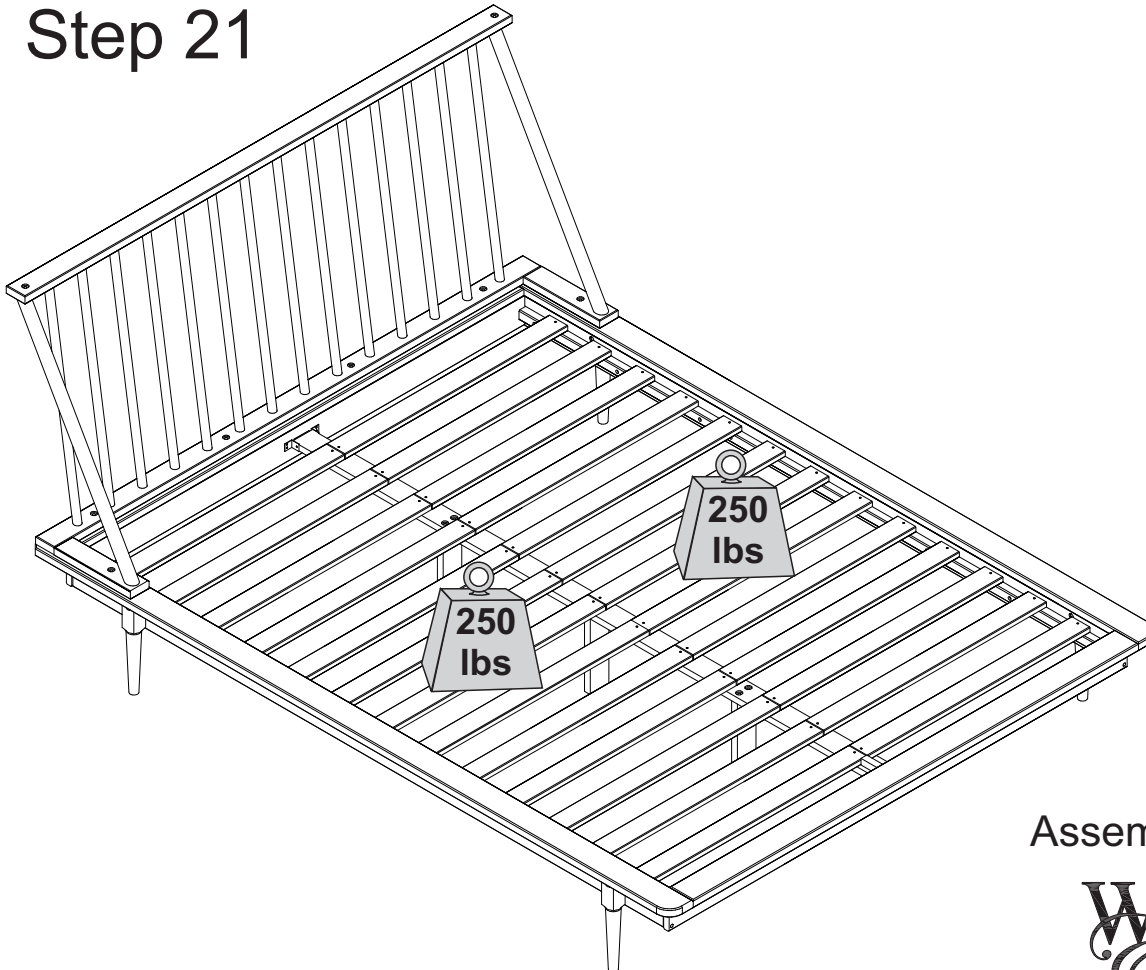


N		6
M		6

Ø1/4x40mm

Join the part 7 to parts 29 and 5 with screw (M) and union screw (N) using hex key (J)

# Step 21



Assembly Complete!

