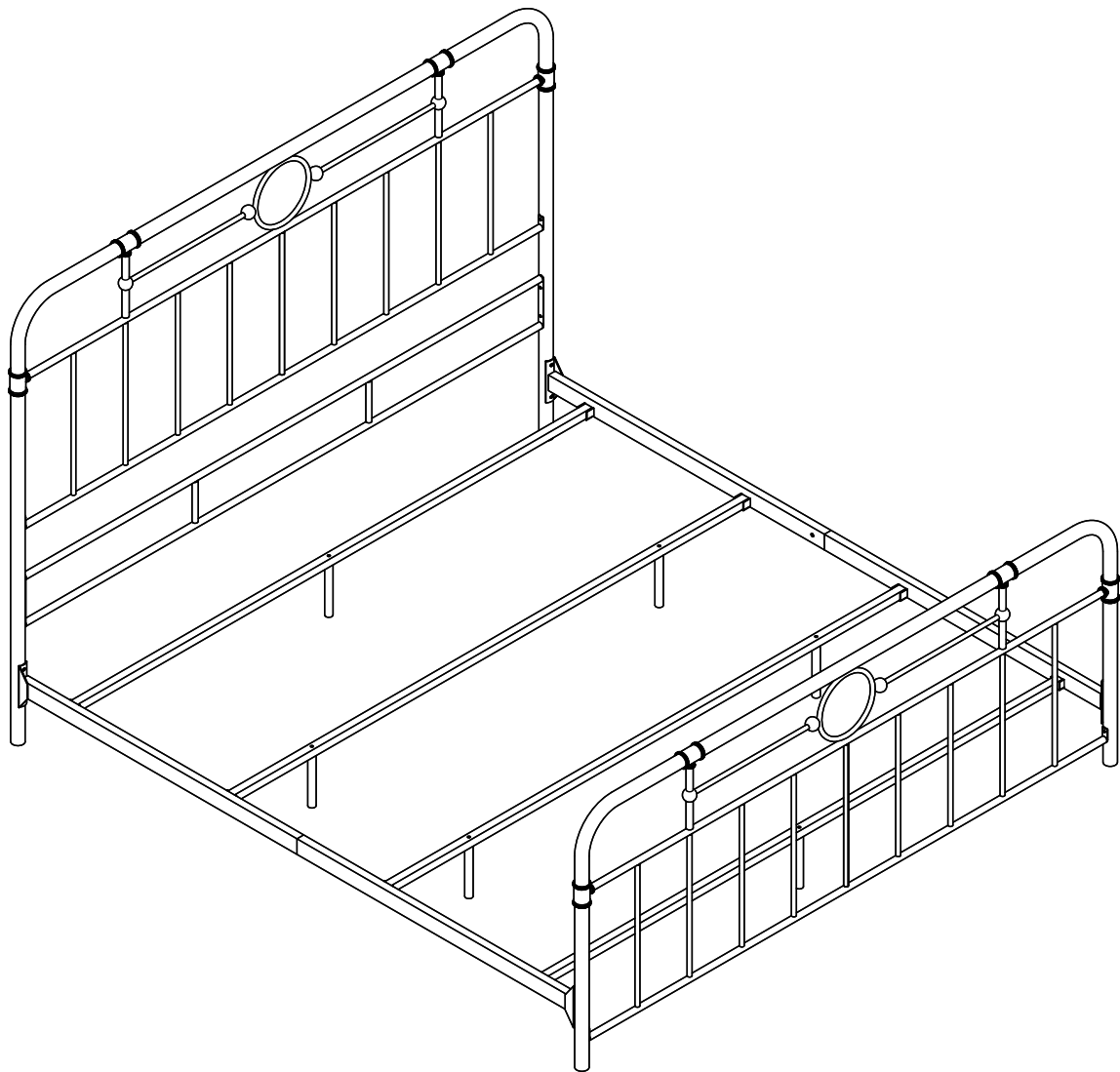


Item # : BKMP

Assembly Instructions



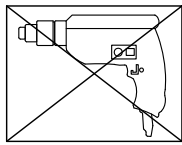
Walker Edison®

Please visit our website for the most current instructions, assembly tips, report damage,
or request parts. www.walkerediton.com

Revised 21/02/2019(L)

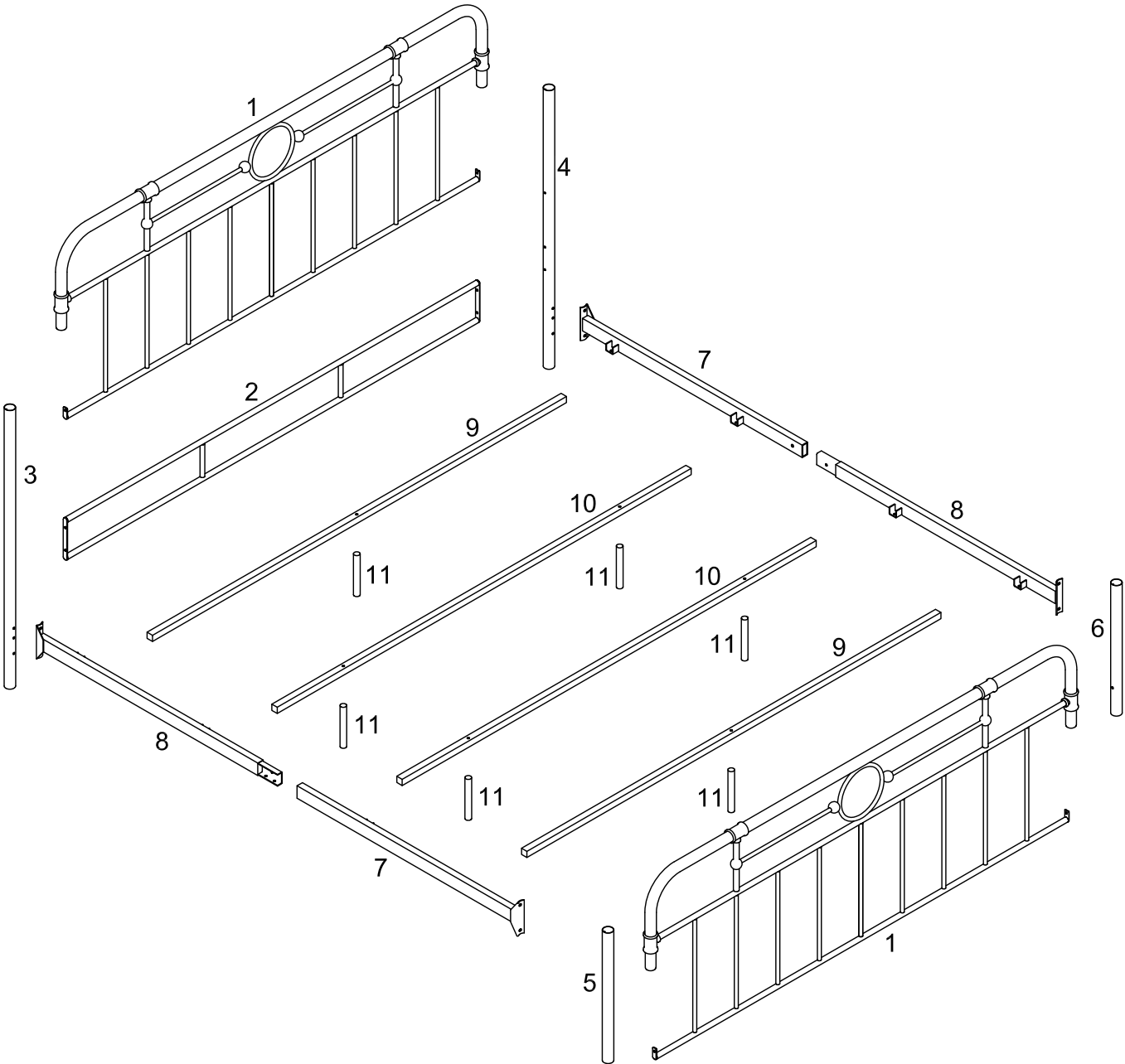
General Assembly Guidelines

- I. Ensure that all parts and hardware are available before beginning assembly.
- II. Follow each step carefully to ensure the proper assembly of this product.
- III. Two people are recommended for ease in the assembly of this product.
- IV. The main type of hardware used to assemble this product are: bolts and screws.
- V. Power tools should not be used to assemble this product.






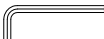




- VI. Drill may be needed for securing product to wall.

Parts List

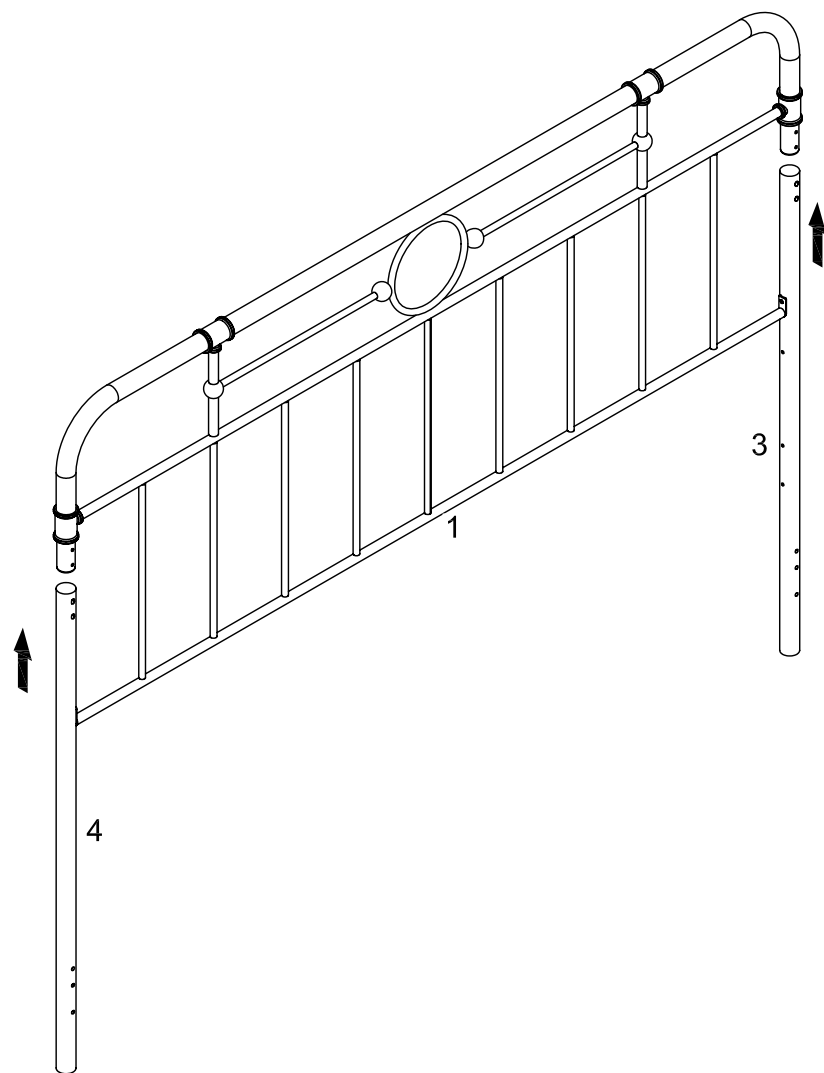


Hardware List

A		Ø1/4"X1/2"	Bolt	16 pcs
B		Ø1/4"X3/4"	Bolt	18 pcs
C		Ø1/4"X1-3/4"	Bolt	6 pcs
D		Ø1/4"X2-1/4"	Bolt	4 pcs
E		5/8"	Washer	28 pcs
F		1/8"	Hex Key	1 pc
G			Nut	4 pcs
H			Wrench	1 pc

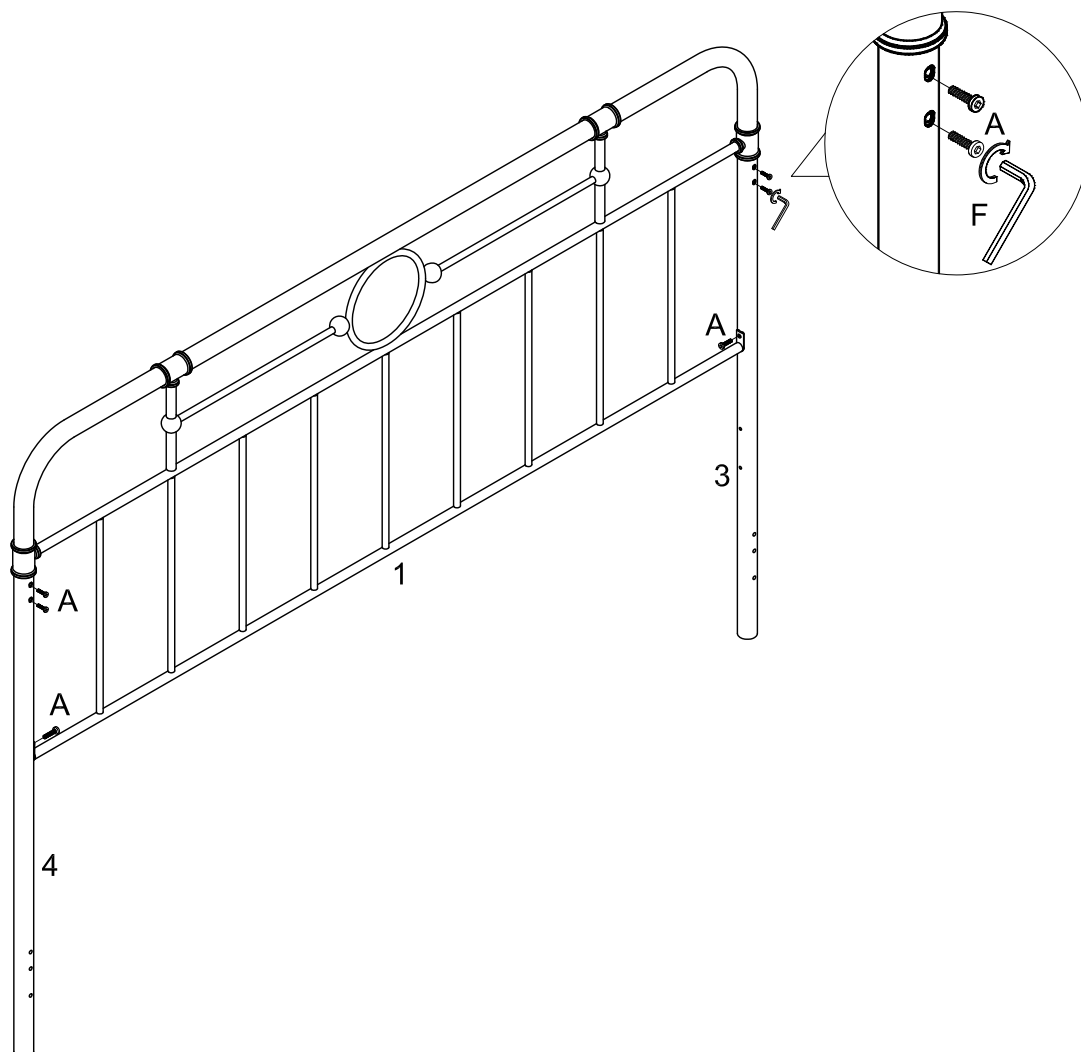
*The hardware quantities listed above are required for proper assembly.
Some extra hardware may also have been included.*

Step 1



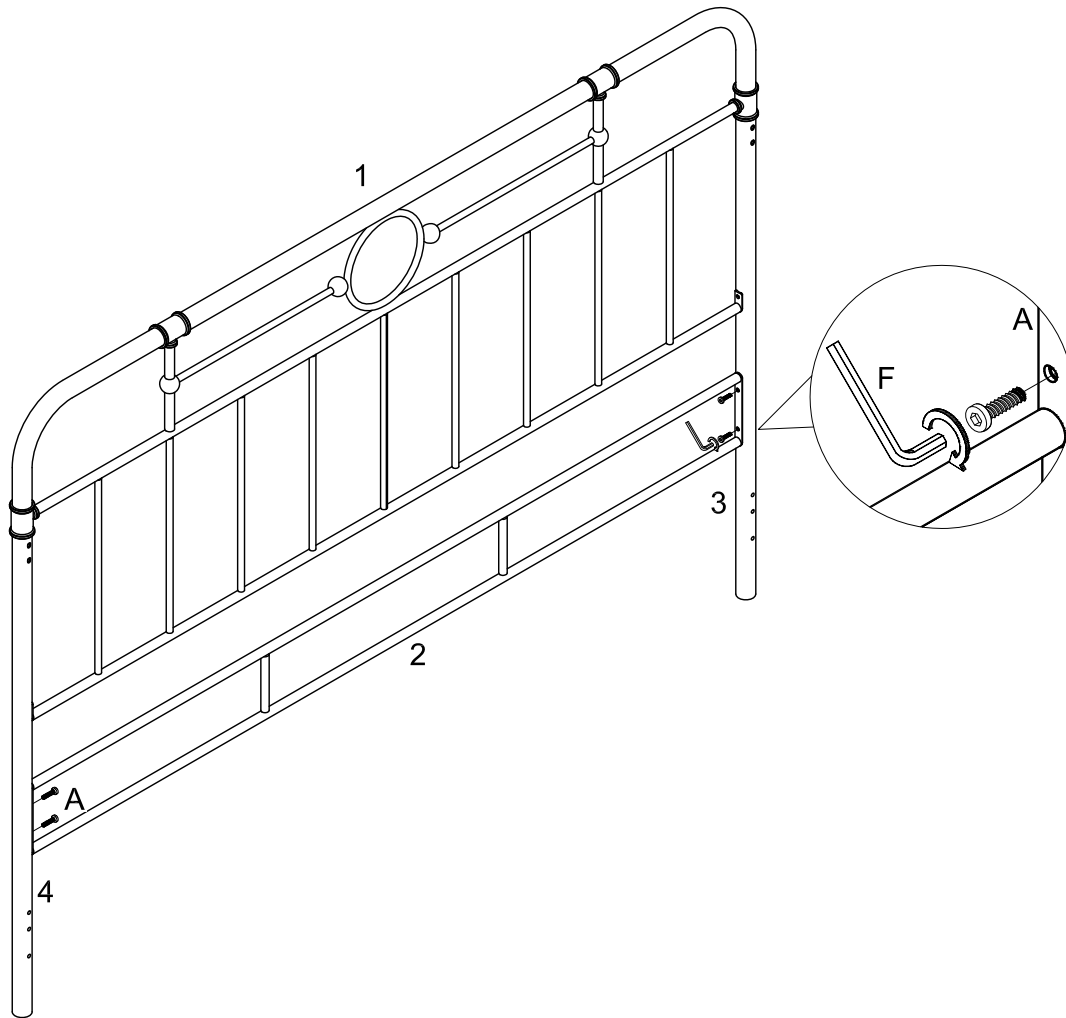
Insert part (3, 4) into part (1) as per diagram.

Step 2



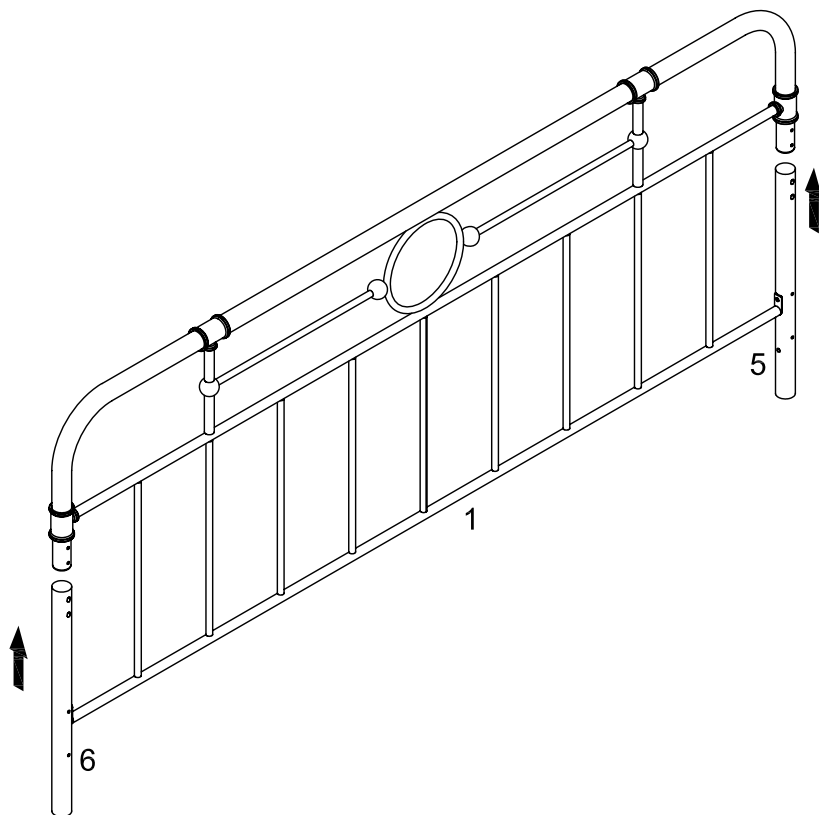
Secure part (1, 3, 4) using bolt (A) with hex key (F) as per diagram.

Step 3



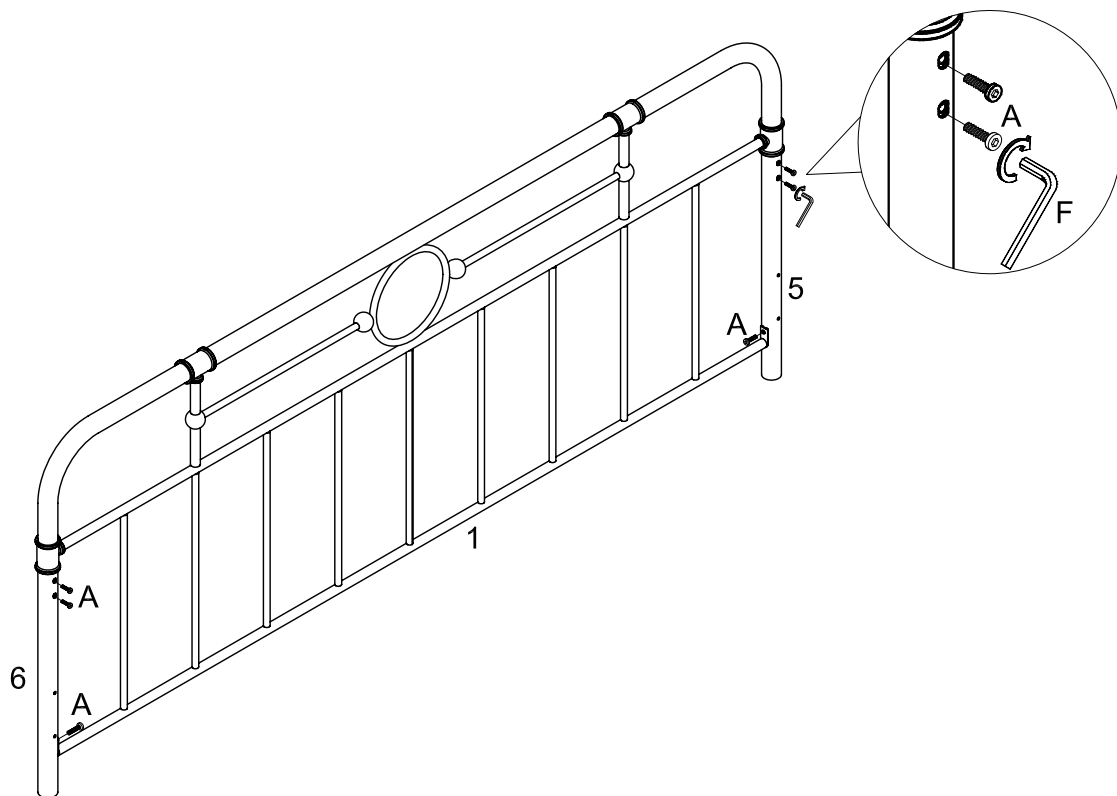
Attach part (2) to part (3, 4) using bolt (A) with hex key (F) as per diagram.

Step 4



Insert part (5, 6) into part (1) as per diagram.

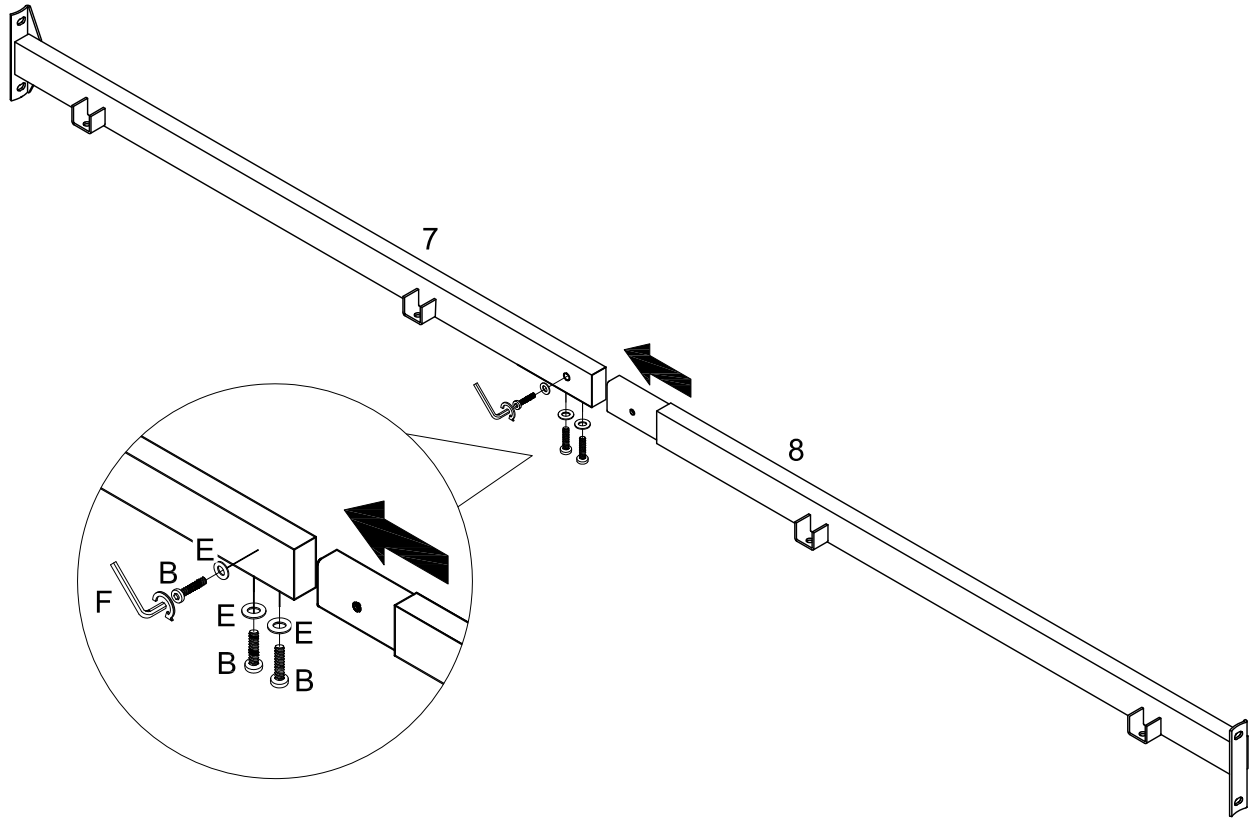
Step 5



Secure part (1, 5, 6) using bolt (A) with hex key (F) as per diagram.

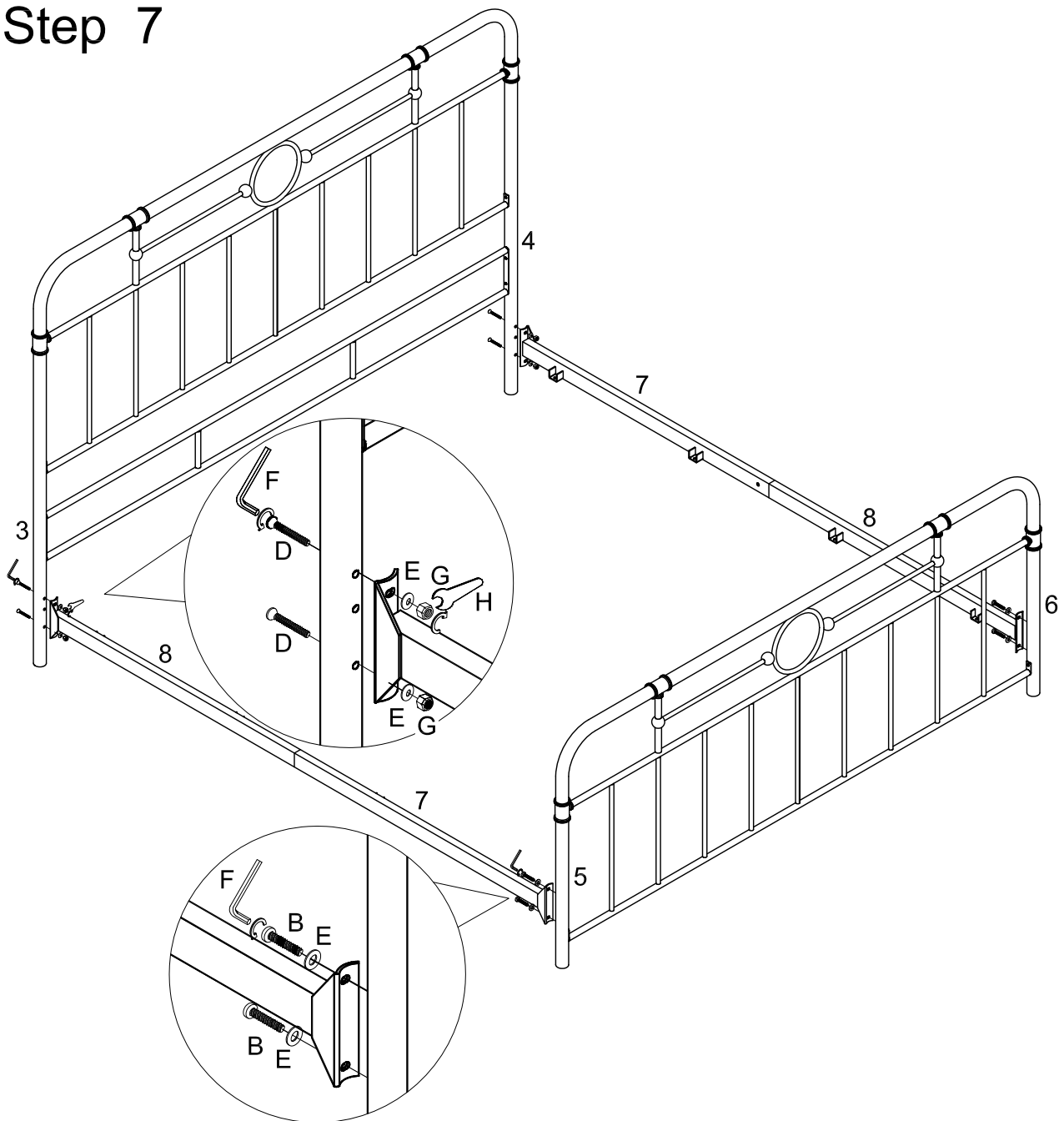
Step 6

x 2



Insert parts (8) into parts (7), then secure them using bolt (B) and washer (E) with hex key (F) as per diagram.

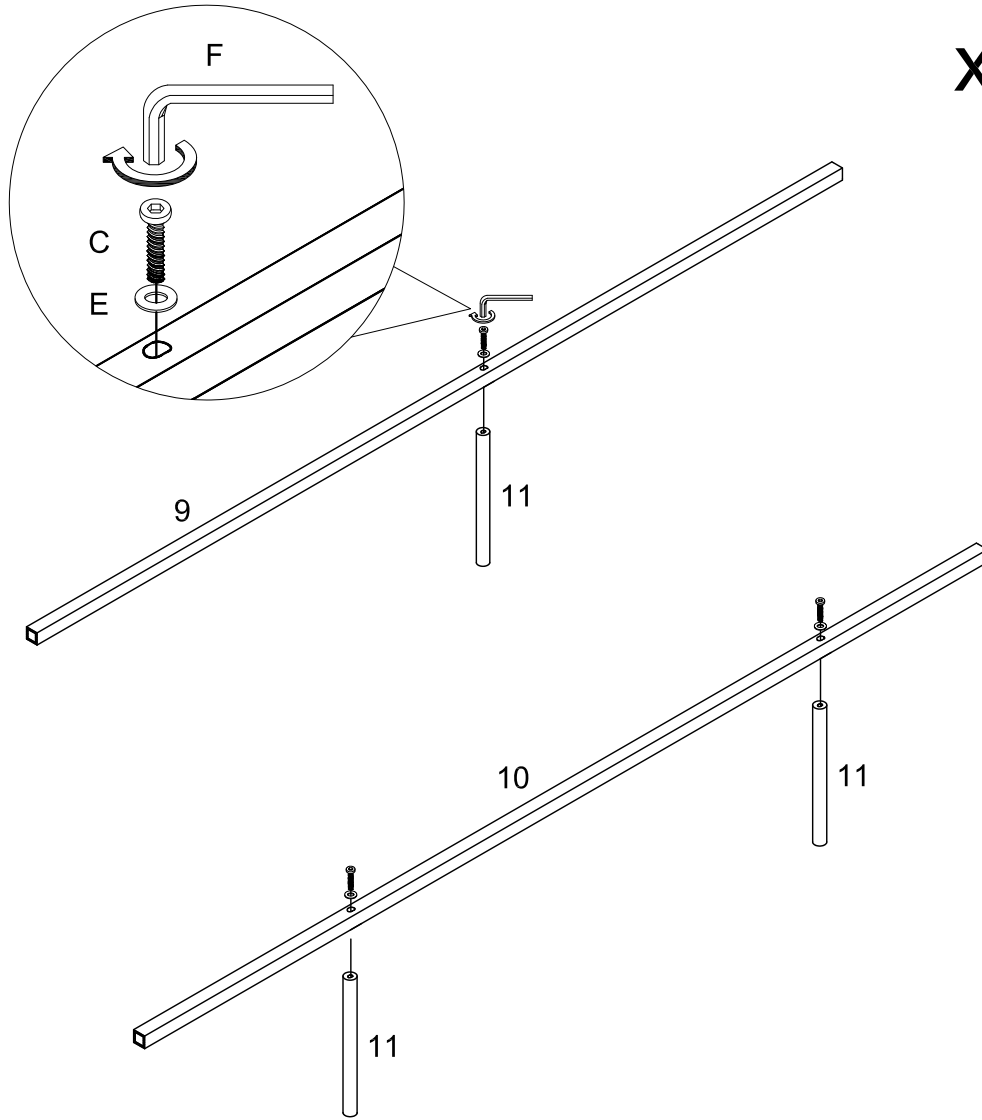
Step 7



Attach part (7, 8) to part (3, 4, 5, 6) using bolt (B, D), washer (E) and nut (G) with hex key (F) and wrench (H) as per diagram.

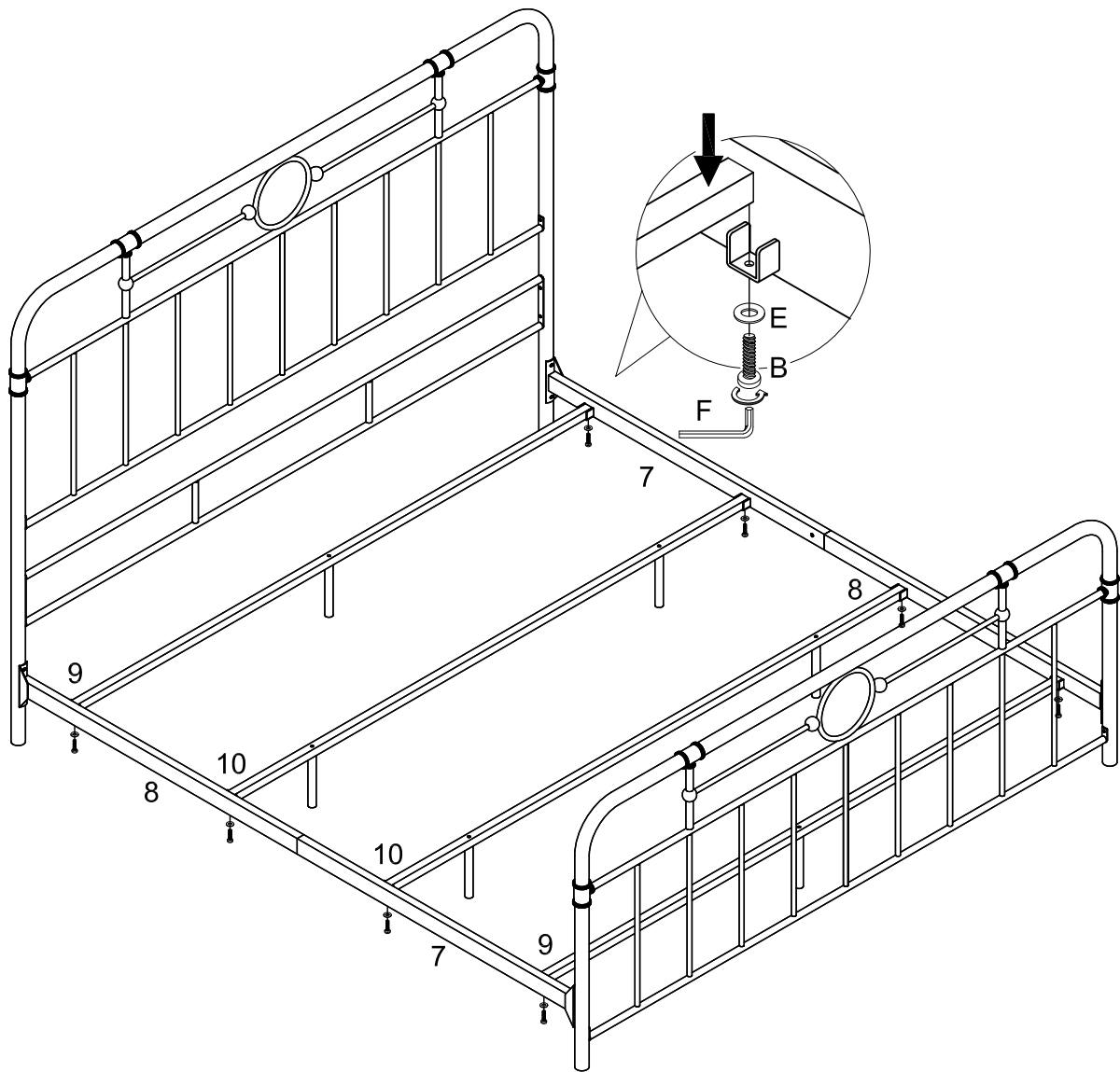
Step 8

x 2



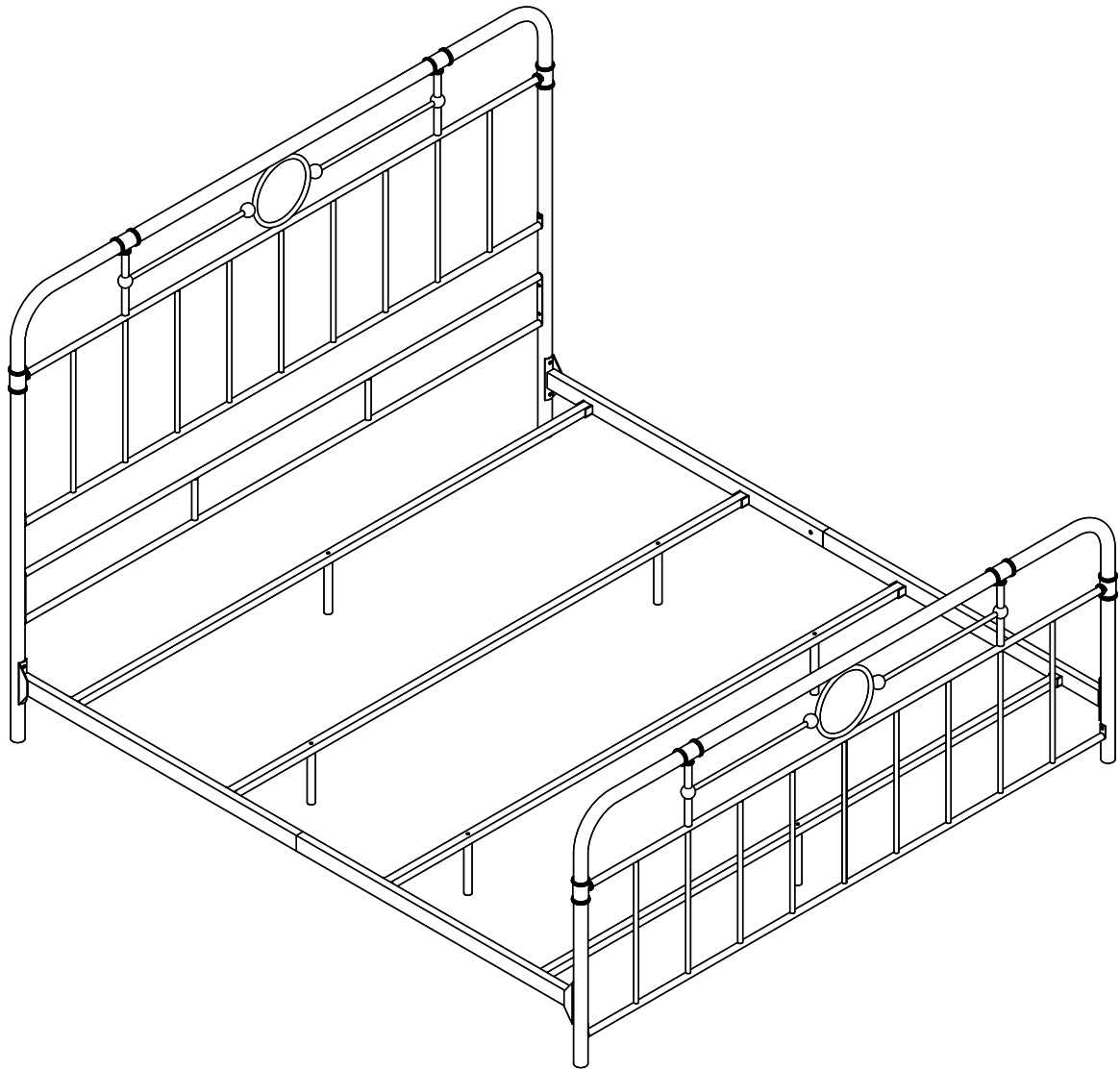
Attach parts (11) to parts (9, 10) using bolt (C) and washer (E) with hex key (F) as per diagram.

Step 9



Attach part (9, 10) to part (7, 8) using bolt (B) and washer (E) with hex key (F) as per diagram.

Step 10



Final Assembly