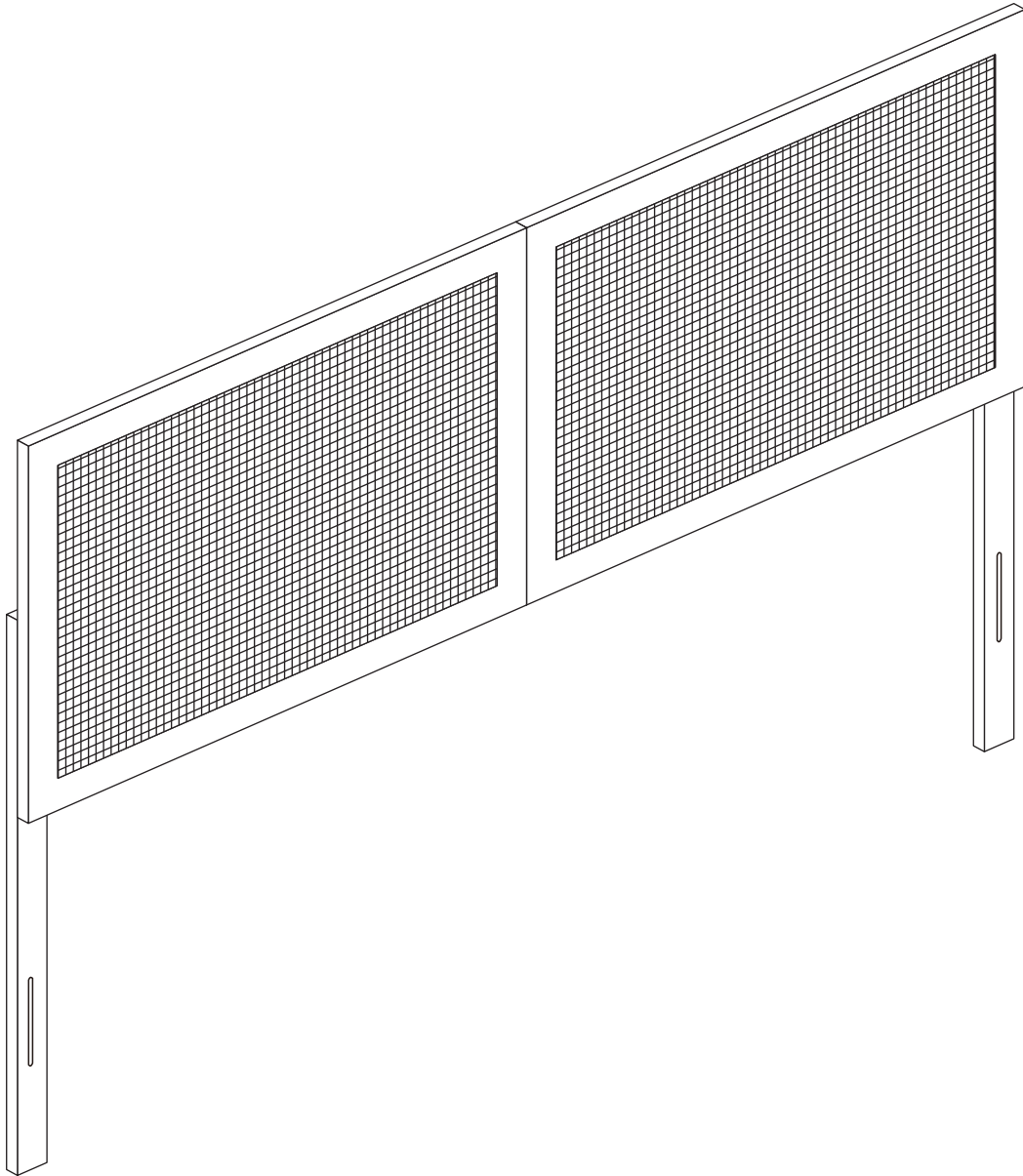
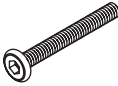
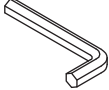
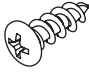

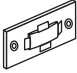

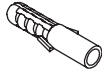



# Rattan Board

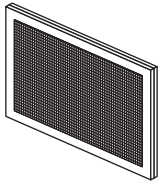


## ASSEMBLY INSTRUCTION

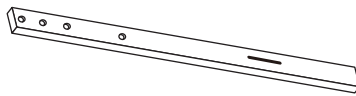
## HARDWARE LIST

<p><b>a</b></p> <p>18 PCS</p>		<p><b>b</b></p> <p>1 PC</p>		<p><b>c</b></p> <p>10 PCS</p>		<p><b>d</b></p> <p>2 PCS</p>	
<p><b>e</b></p> <p>2 PCS</p>		<p><b>f</b></p> <p>1 PC</p>		<p><b>g</b></p> <p>2 PCS</p>		<p><b>h</b></p> <p>2 PCS</p>	

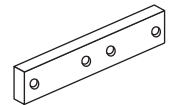
## PARTS LIST



1 - 1 PC



2 - 1 PC



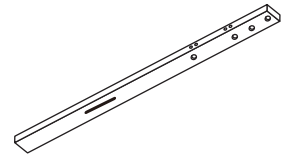
3 - 2 PCS



4 - 2 PCS



5 - 2 PCS

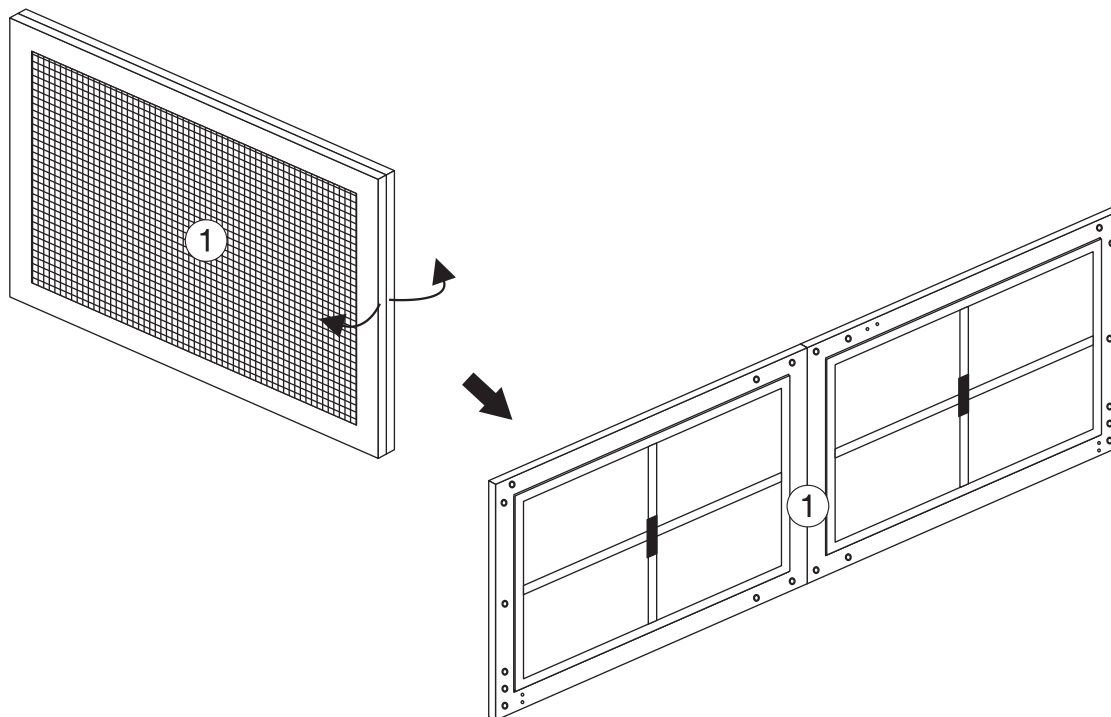


6 - 1 PC

# ASSEMBLY STEPS

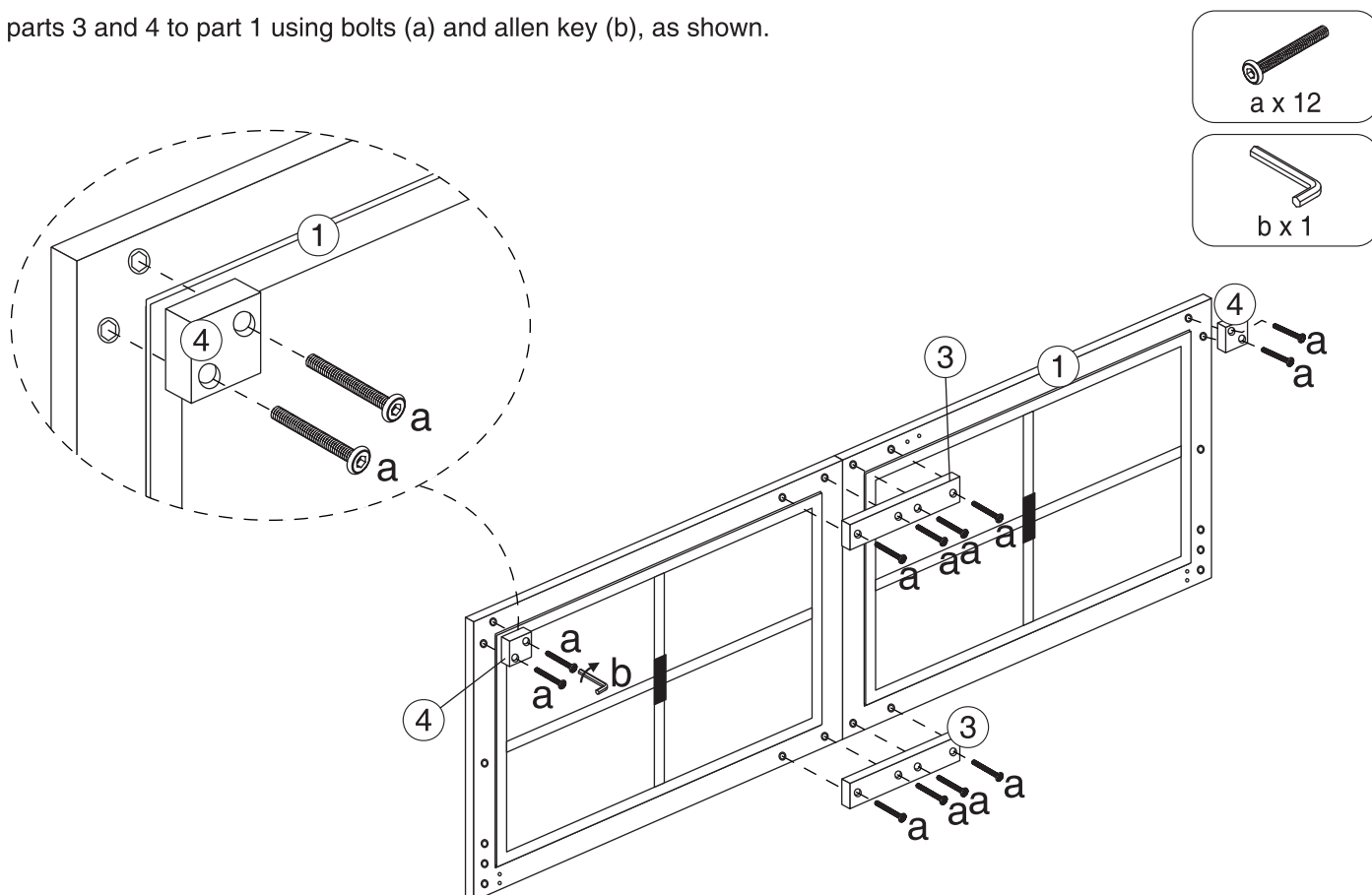
## STEP 1.

Unfold part 1, as shown.



## STEP 2.

Fix parts 3 and 4 to part 1 using bolts (a) and allen key (b), as shown.

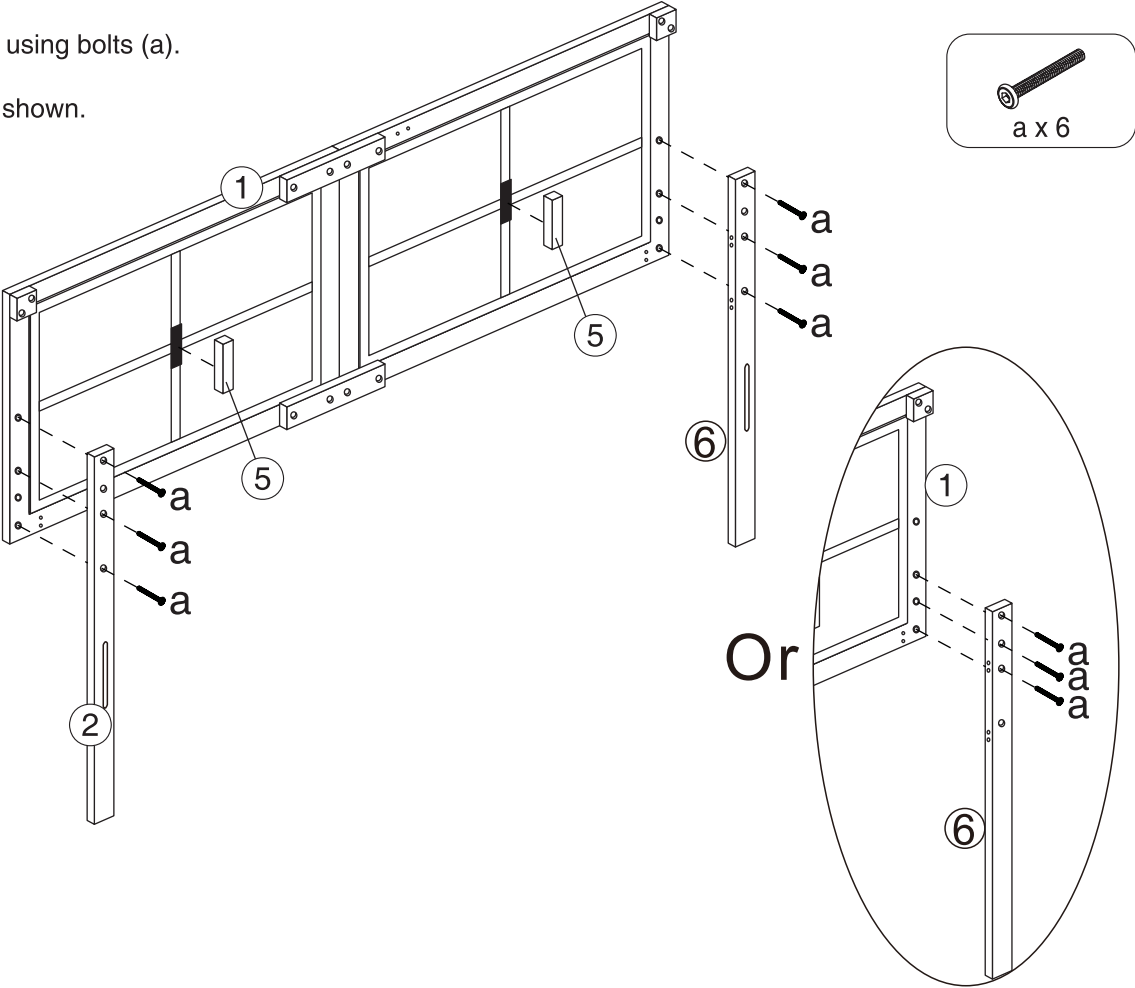


# ASSEMBLY STEPS

## STEP 3.

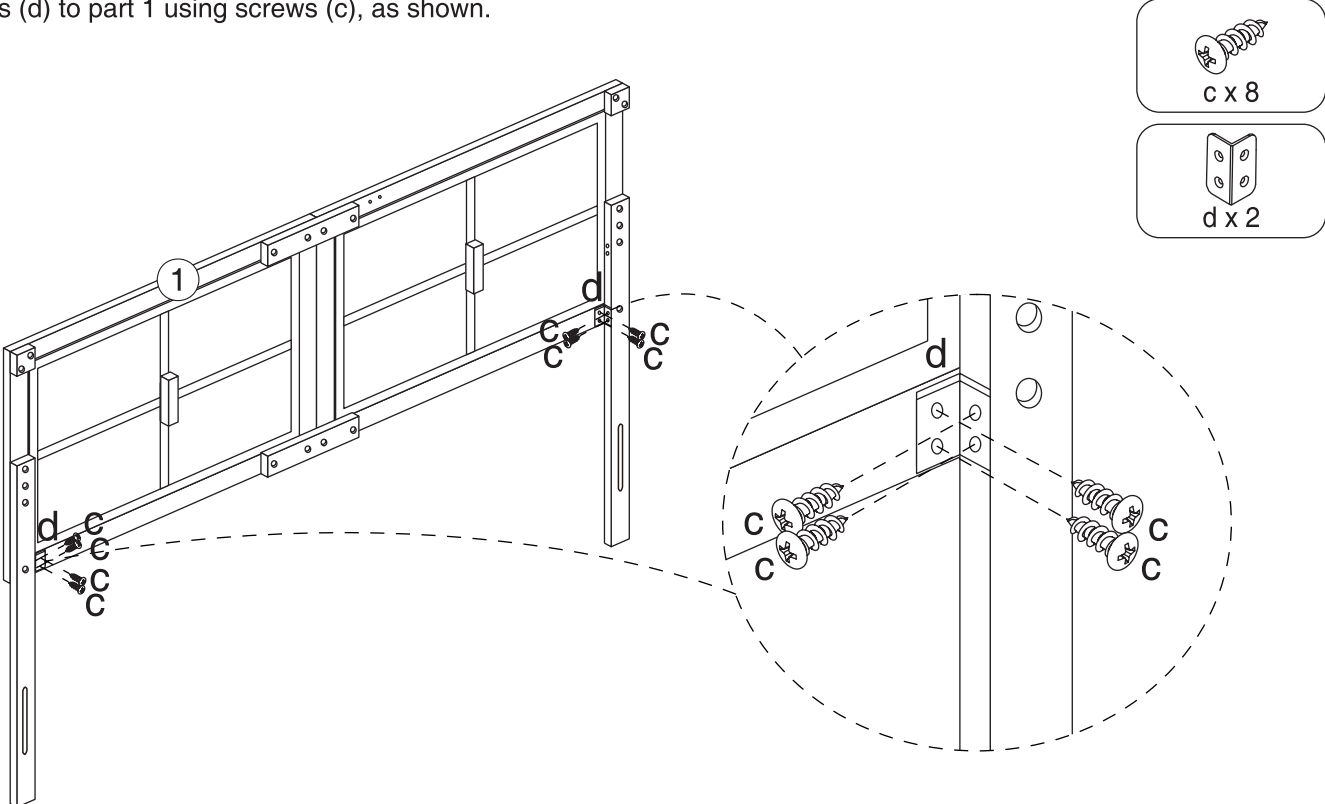
Fix parts 2 and 6 to part 1 using bolts (a).

Stick parts 5 to part 1, as shown.



## STEP 4.

Fix hinges (d) to part 1 using screws (c), as shown.

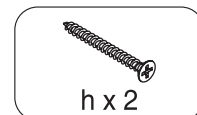
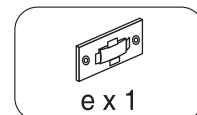
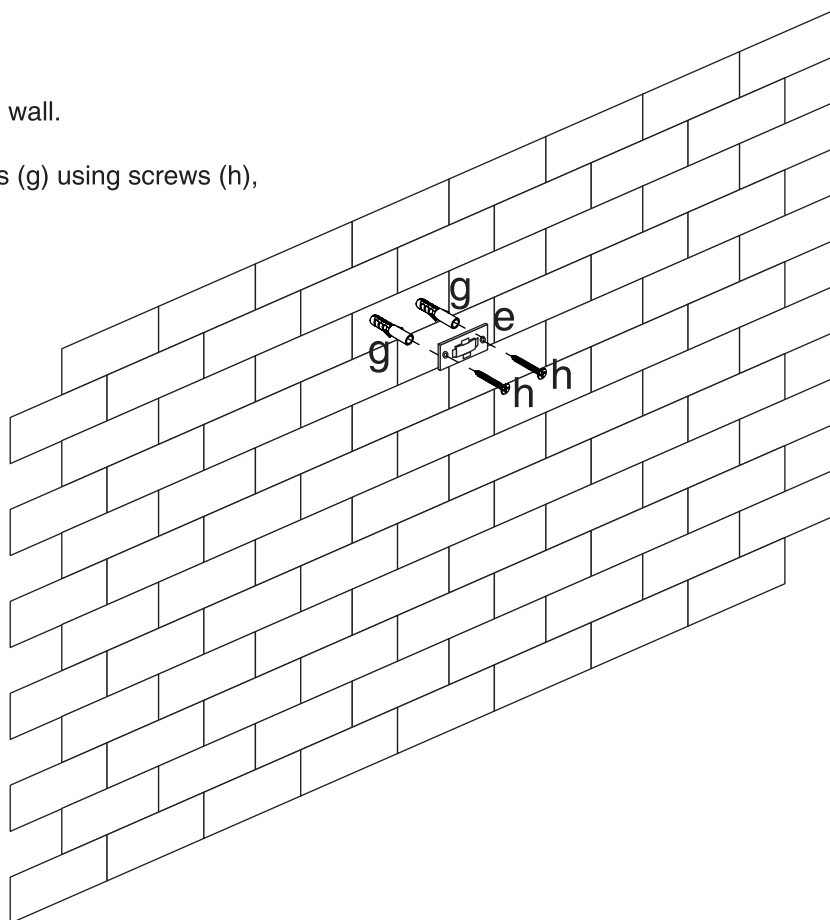


# ASSEMBLY STEPS

## STEP 5.

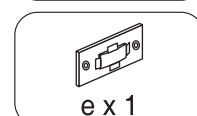
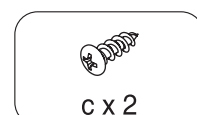
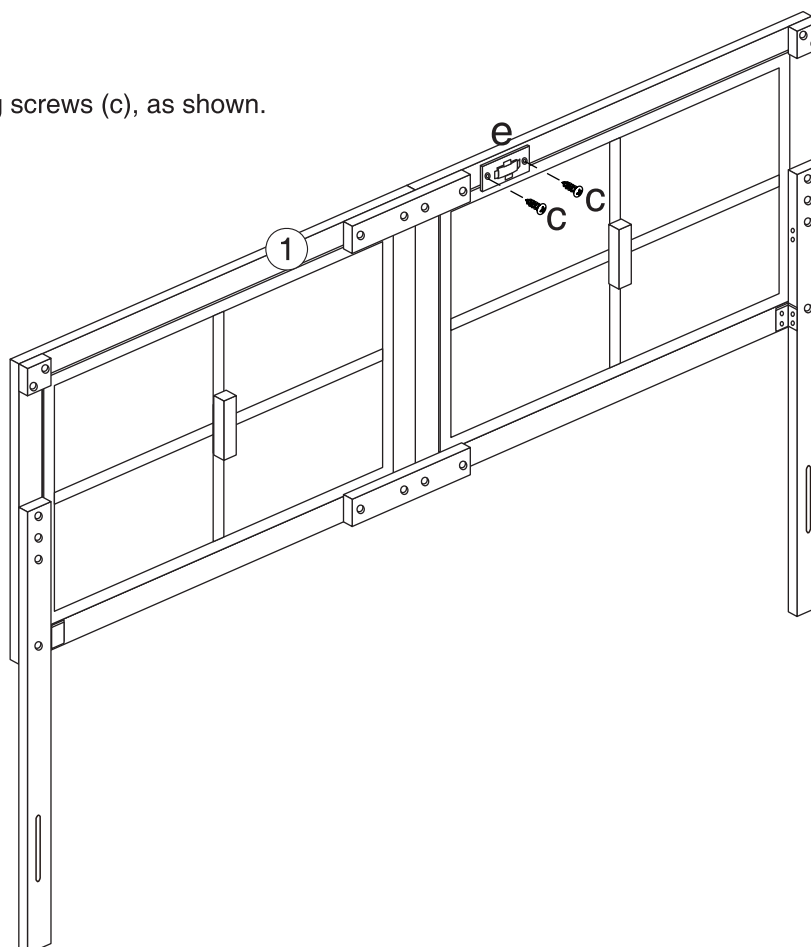
Fix wall plugs (g) into the wall.

Fix part (e) into wall plugs (g) using screws (h), as shown.



## STEP 6.

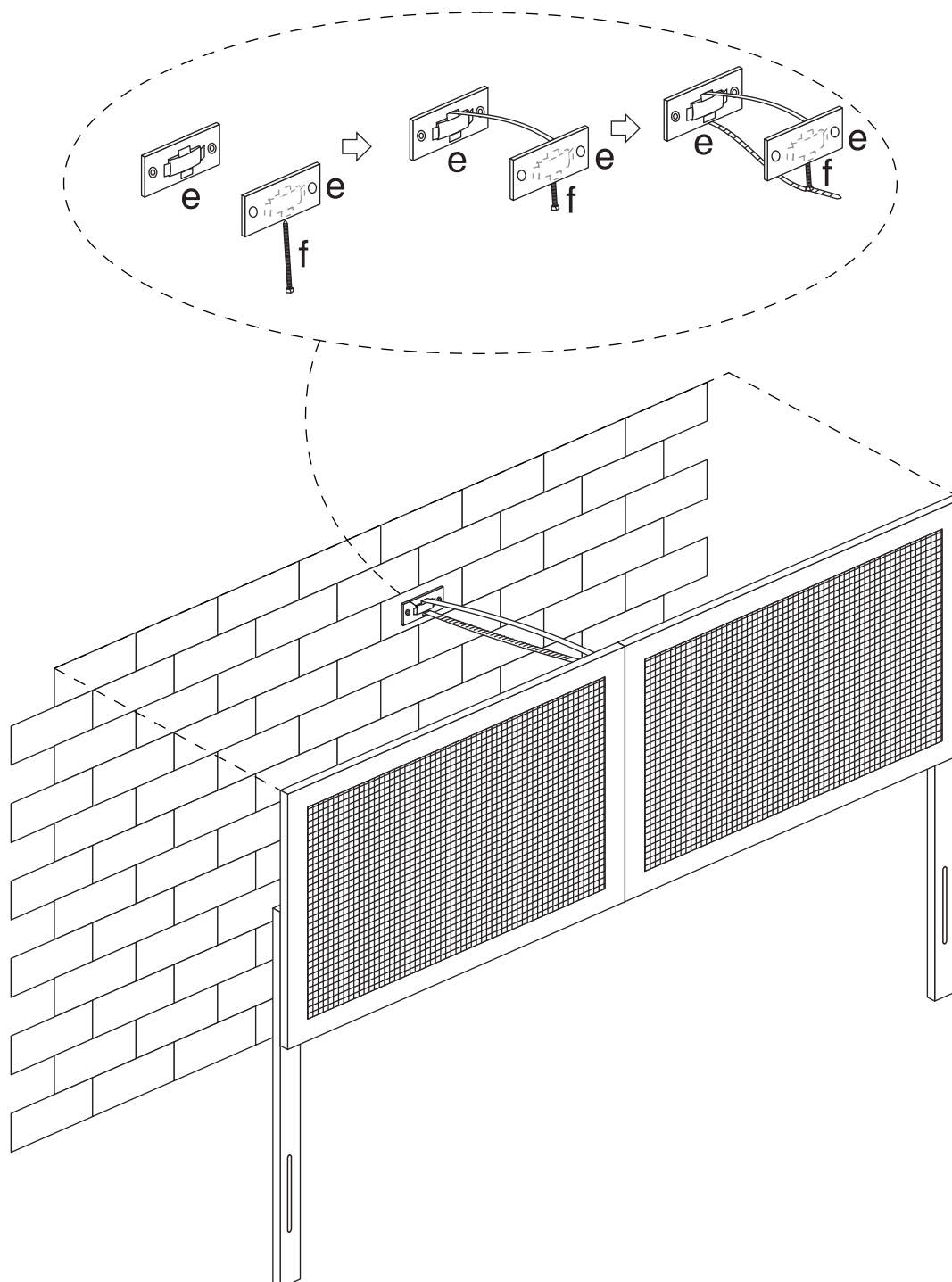
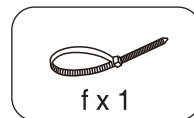
Fix part (e) to part 1 using screws (c), as shown.



# ASSEMBLY STEPS

## STEP 7.

Insert bolt (f) to part (e), as shown.



Your board is ready for use