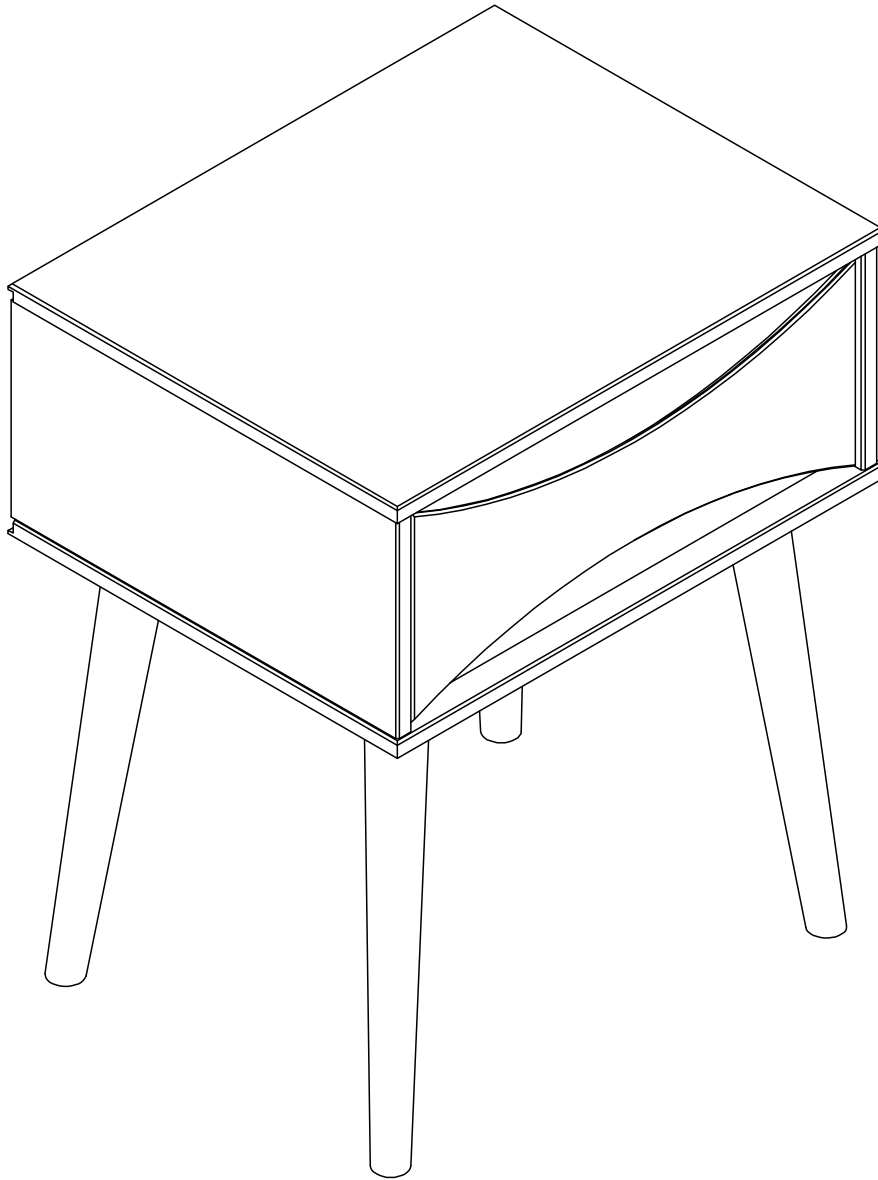


# Item: BR1DATTNS

## Assembly Instructions

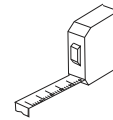
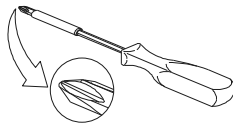
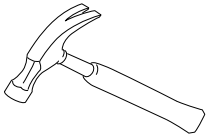


Please visit our website for the most current instructions, assembly tips, to report damage or request parts. [www.walkeredison.com](http://www.walkeredison.com)

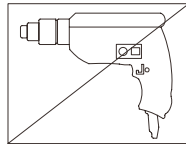
Revised 04/2024-V4

# General assembly guidelines

- I. Ensure that all parts and hardware are available before beginning assembly.
- II. Follow each step carefully to ensure the proper assembly of this product.
- III. Two people are recommended for ease in the assembly of this product.
- IV. The three main types of hardware used to assemble this product are wood dowels, screws and bolts.
- V. A phillips head screwdriver, hammer and tape measure is required for the assembly of this product.



- V I. Power tools should not be used to assemble this product.

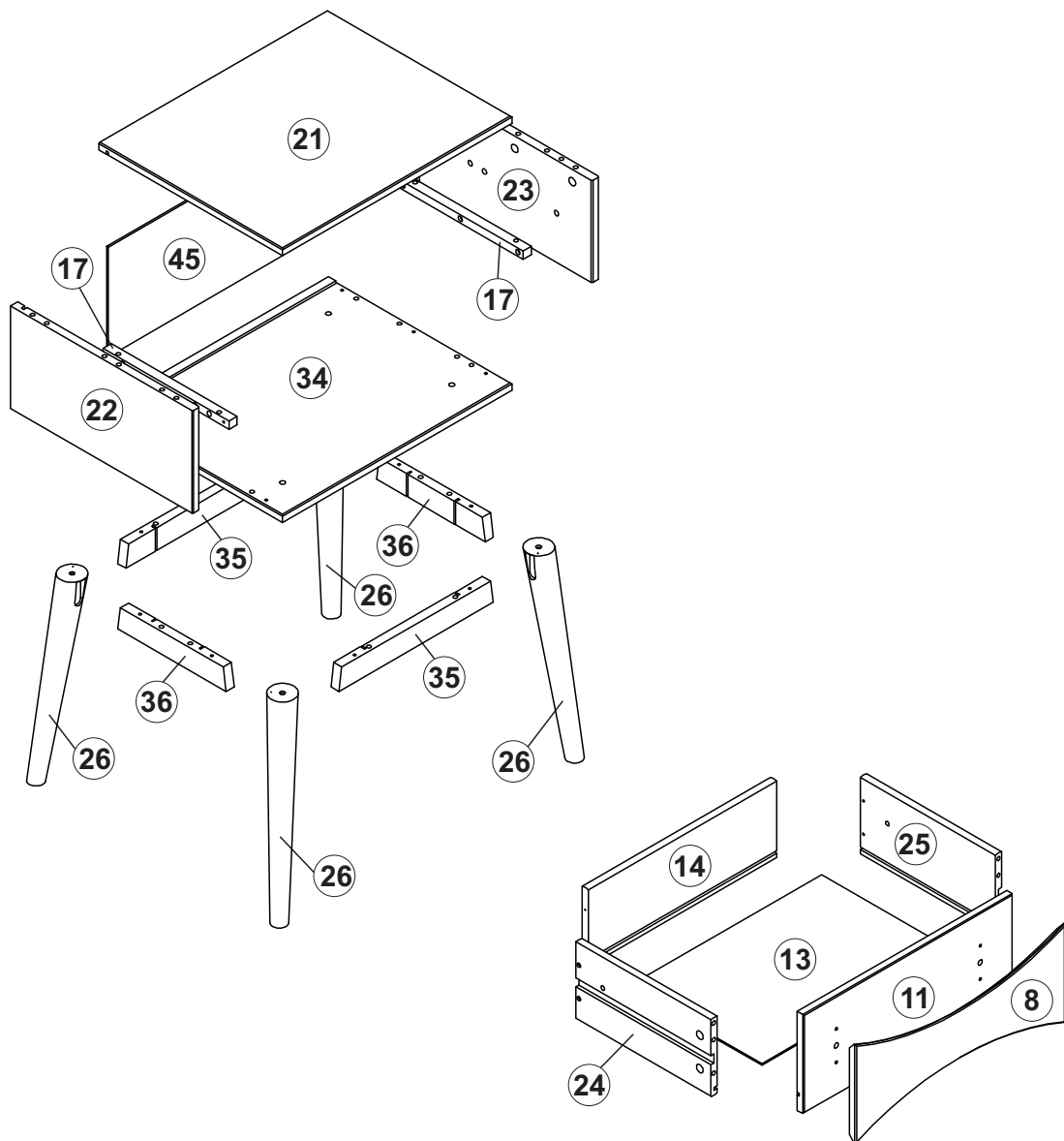


## VII. Maintenance Guide

To maintain long term performance and easy gliding of your solid wood drawers, we recommend applying wax to the wooden guide rails.

1. Bee's wax is recommended or Paraffin wax from a standard candle can be used.
2. Apply the wax by rubbing it on the wooden guide rails where there is wood-on-wood contact when opening and closing the drawer. (Wax should be room temperature, do not melt the wax onto the wood)
3. Wax should be applied every few months for the first year and then only when needed after that to keep the drawers sliding smoothly.

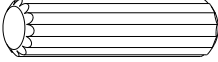
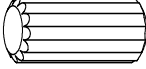



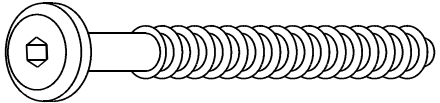


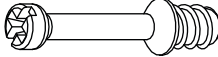





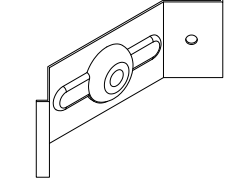
# Parts List

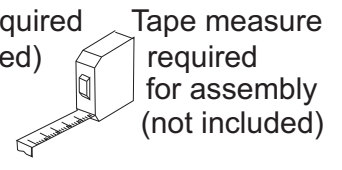
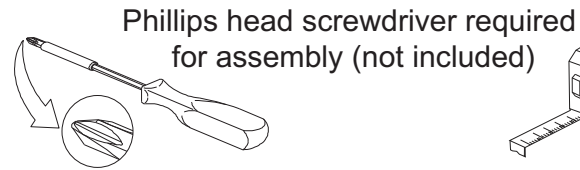
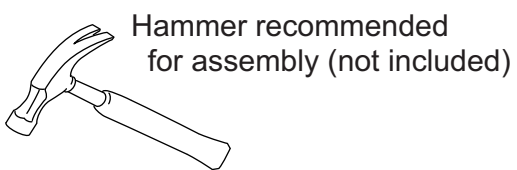


Part #	Description	Qty
8	Drawer handle	01 pc
11	Drawer front	01 pc
13	Drawer bottom	01 pc
14	Drawer back	01 pc
17	Wood slider	02 pcs
21	Top panel	01 pc
22	Left side panel	01 pc
23	Right side panel	01 pc

Part #	Description	Qty
24	Left drawer side	01 pc
25	Right drawer side	01 pc
26	Foot	04 pcs
34	Base	01 pc
35	Front foot rail	02 pcs
36	Side foot rail	02 pcs
45	Back panel	01 pc

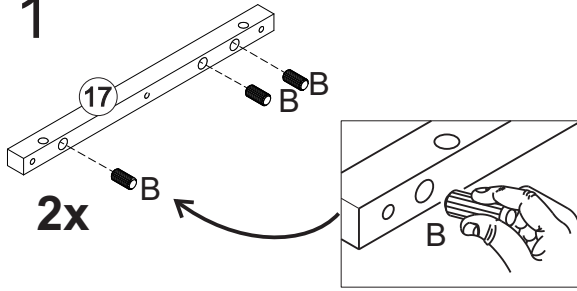
# Hardware List

A		Ø8*30mm	Wooden dowel	26 pcs
B		Ø10*20mm	Wooden dowel	08 pcs
C		Ø4,0*25mm	Screw	10 pcs
D		Ø3,5*30mm	Screw	04 pcs
E		Ø4,0*40mm	Screw	15 pcs
G		Ø7,0*50mm	Screw	08 pcs
H		4mm	Hex Key	01 pc
I		Ø8*40mm	Wooden dowel	02 pcs
J		ø15*30mm	Cam bolt	10 pcs
K		ø15*10mm	Cam lock	10 pcs
L			Wall anchor	01 pc
M			Washer	02 pcs
N		Ø6*35mm		01 pc
O		Ø4*16mm	Screw	09 pcs
P			Angle bracket	04 pcs

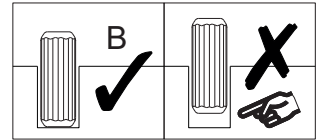


*The hardware quantities listed above are required for proper assembly. Some extra hardware may also have been included.*

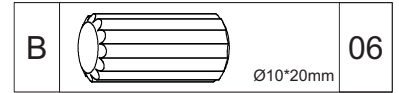
# Step 1



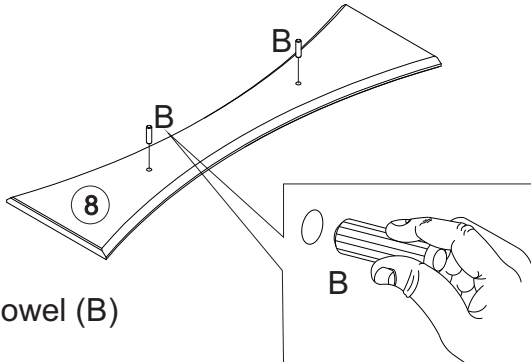
Attention to the  
dowel size:  
Ø10\*20mm



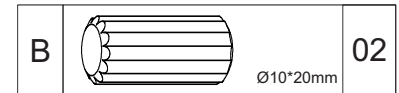
Insert wood dowel (B) into part 17.



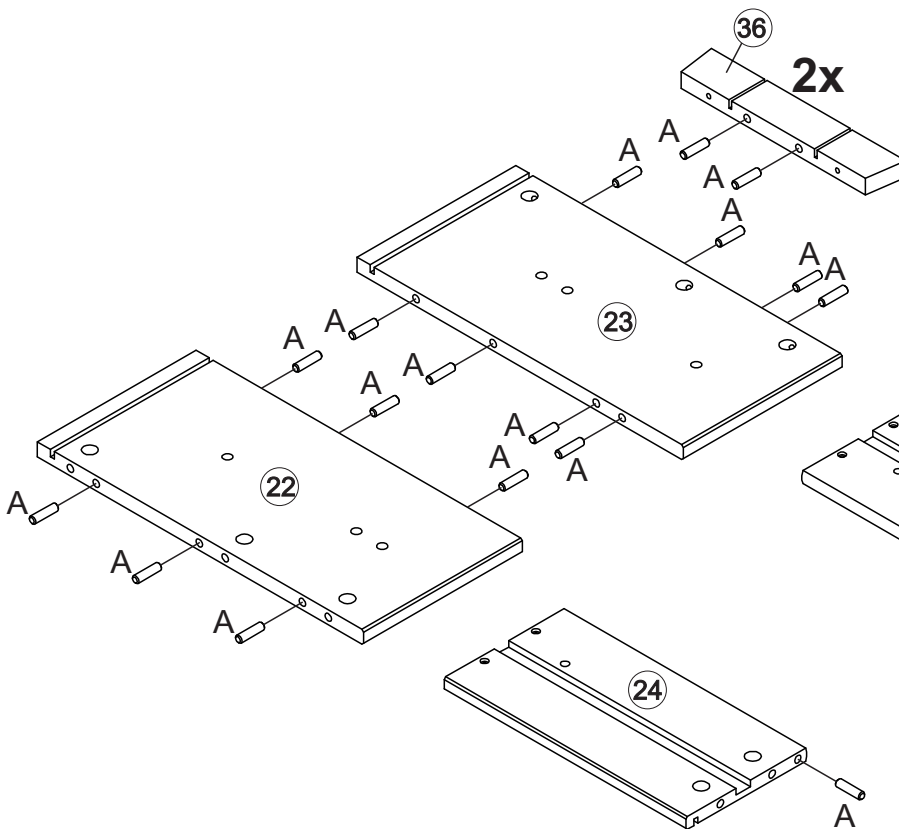
# Step 2



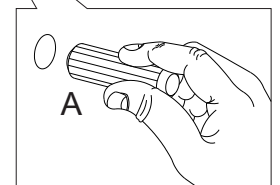
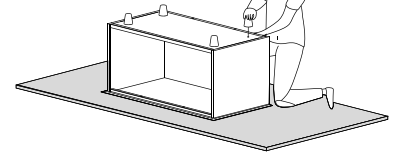
Insert wood dowel (B)  
into part 8.



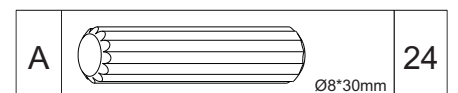
# Step 3



Please assemble on  
a clean soft surface  
to avoid damage.

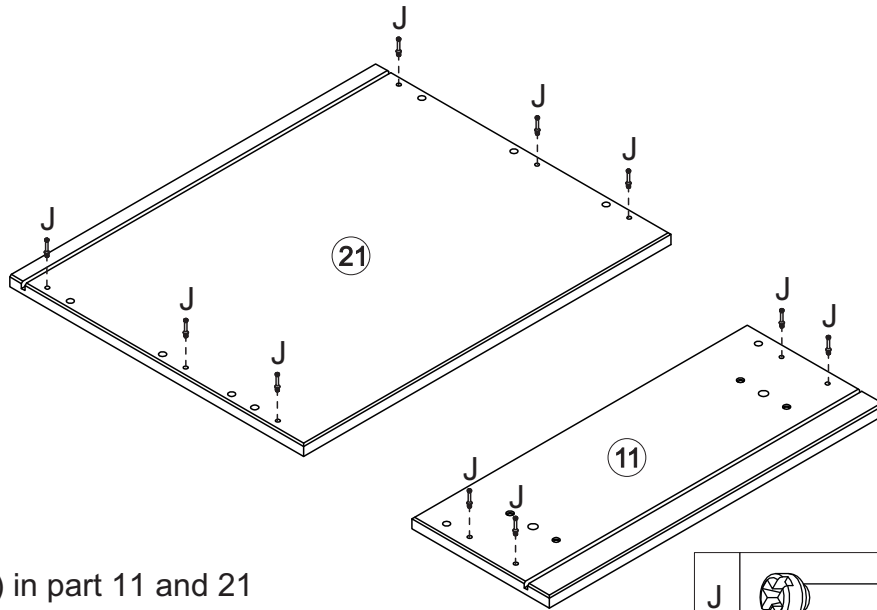
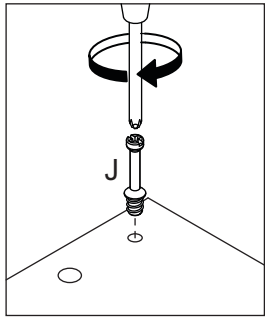
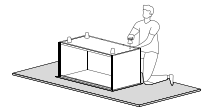
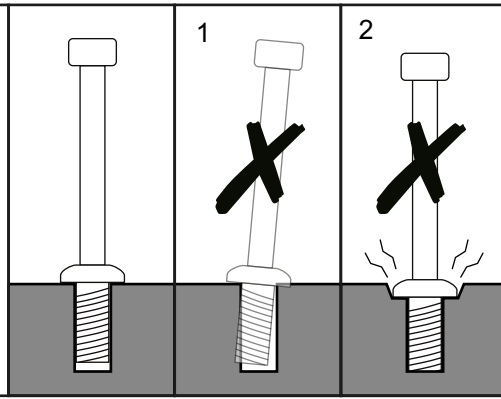


Insert wood dowel (A) into parts 22, 23, 24, 25, 35 and 36.

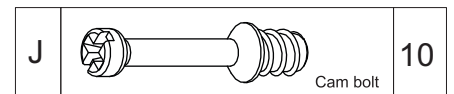


# Step 4

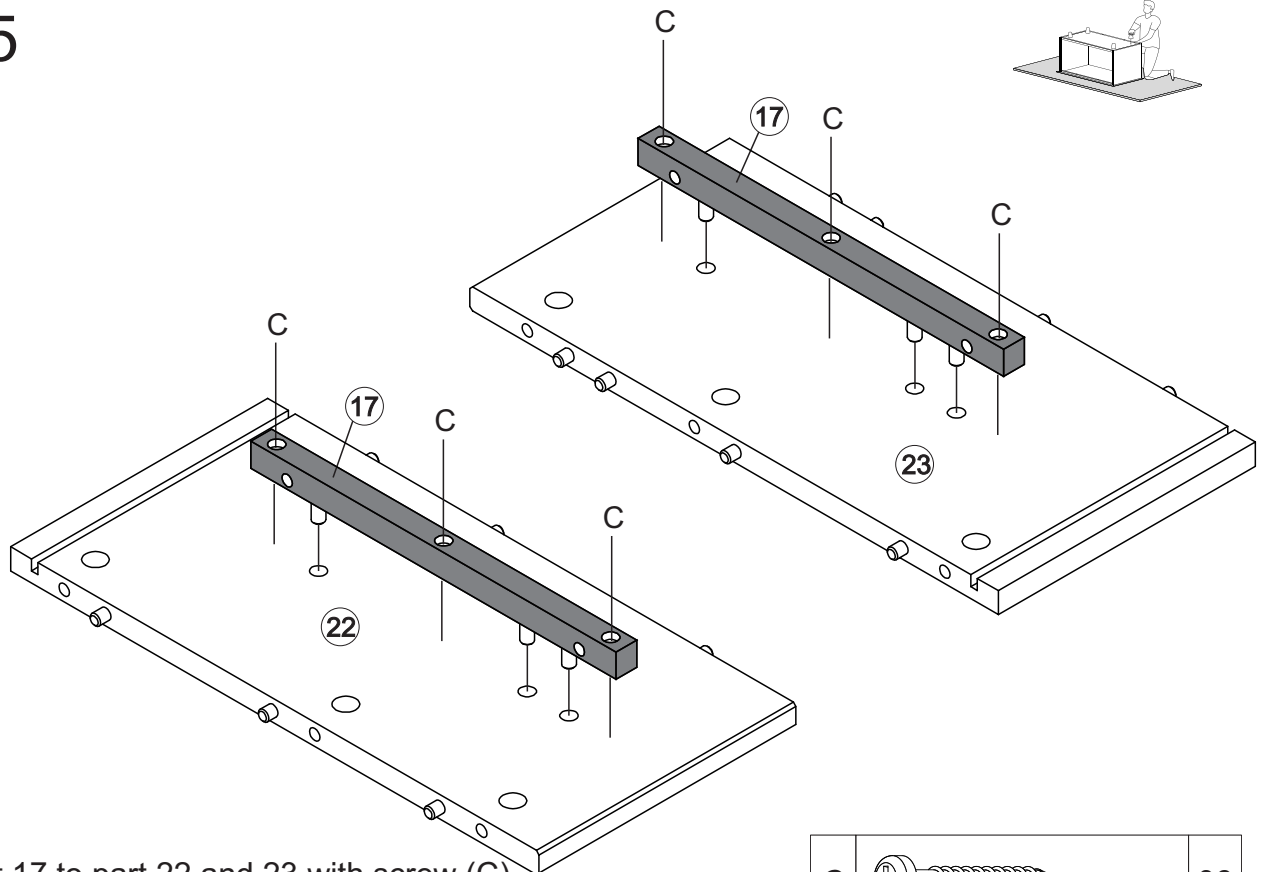
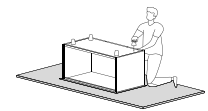
1 - Ensure cam bolt is installed straight and not at an angle.  
 2 - Tighten cam bolt until shoulder on cam bolt is flush. Do not over-tighten.



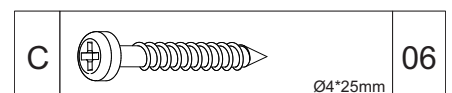
Fix the Cam bolt (J) in part 11 and 21 using a Phillips head screwdriver.



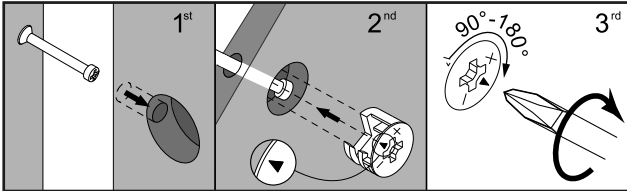
# Step 5



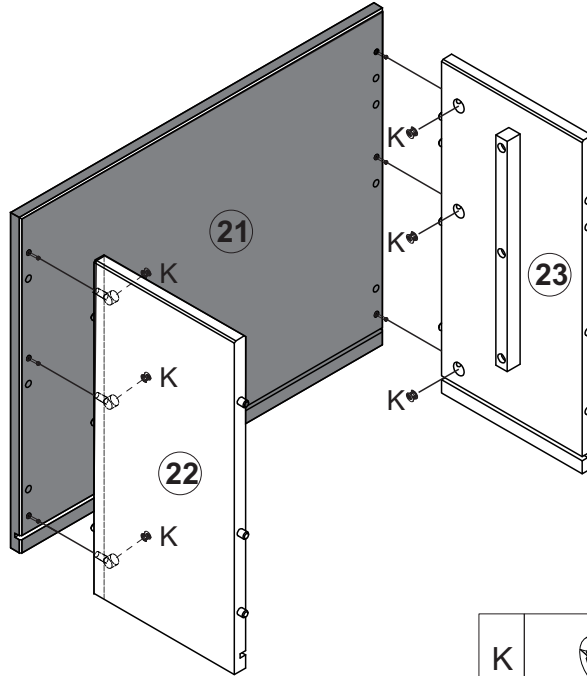
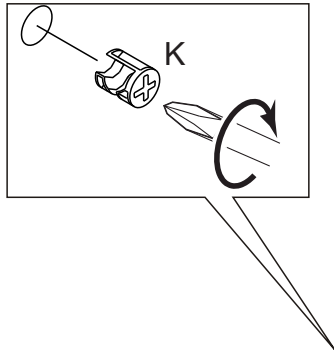
Secure part 17 to part 22 and 23 with screw (C) and Phillips head screwdriver.




# Step 6



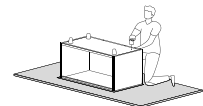
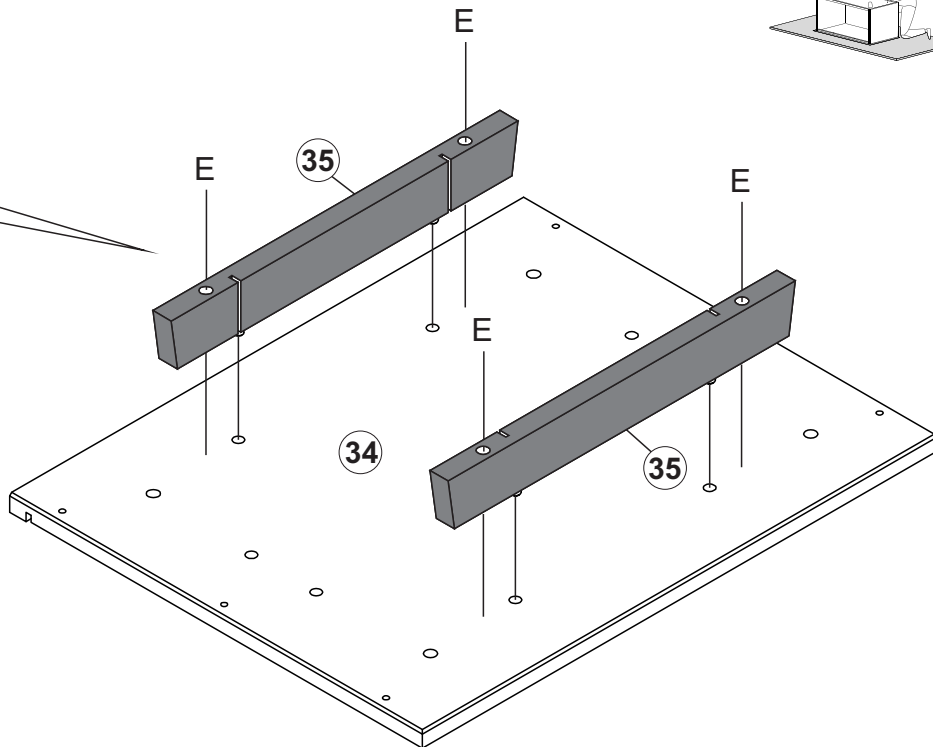
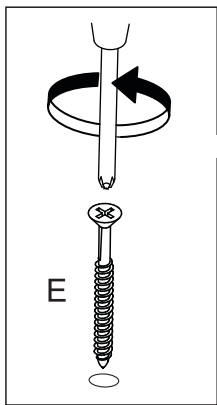
Align the opening in cam lock to the cam bolt and press into opening. Using a screwdriver, rotate the cam lock until it engages with the cam bolt and locks in place (anywhere between 90-180 degrees). Do not over-tighten the cam lock. Doing so may result in damaged or broken parts.




Secure part 21 to part 22 and 23 with Cam lock (K) using Phillips head screwdriver.

K		Cam lock	06
---	---	----------	----

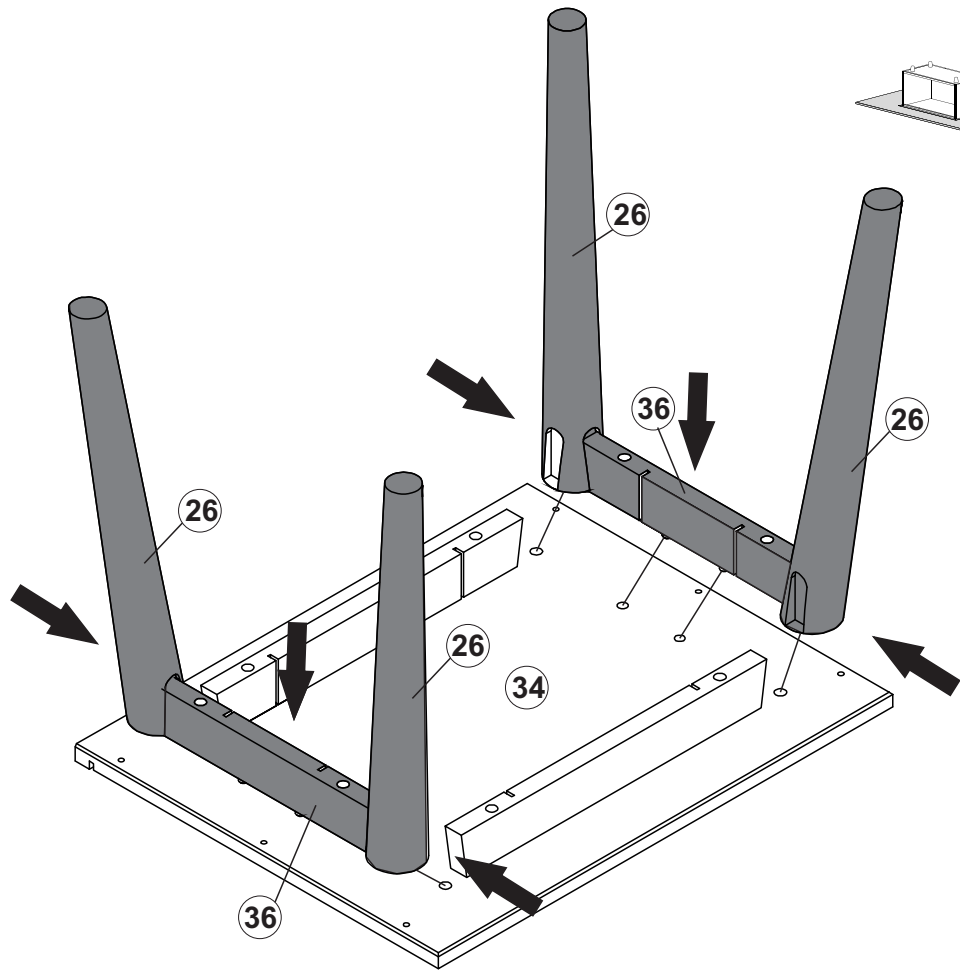
# Step 7



Attach part 35 to part 34 using screw (E) and Phillips head screwdriver.

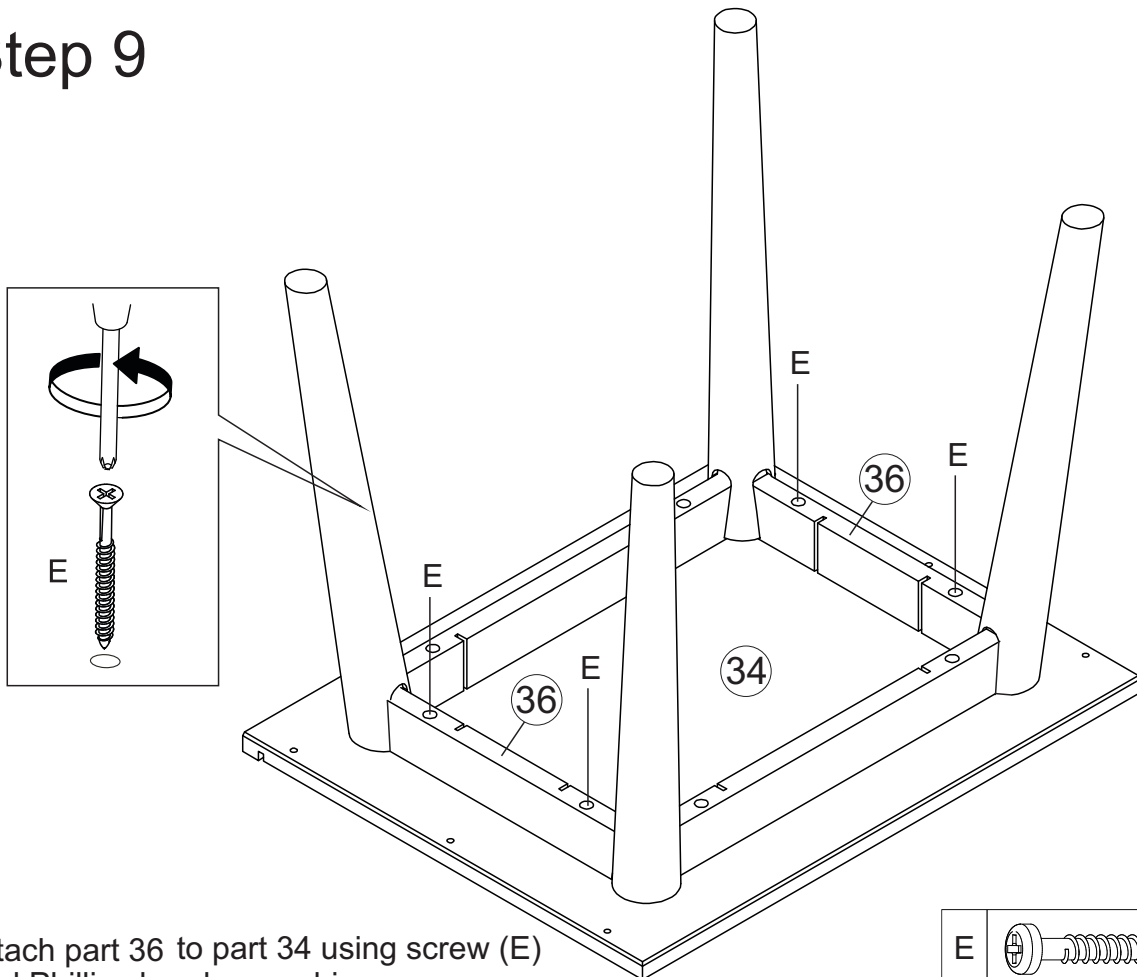
E		Ø4*40mm	04
---	---	---------	----

# Step 8

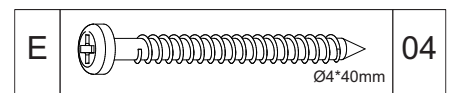


Insert part 26 to part 36, and insert on part 34.

# Step 9

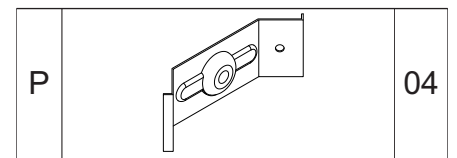
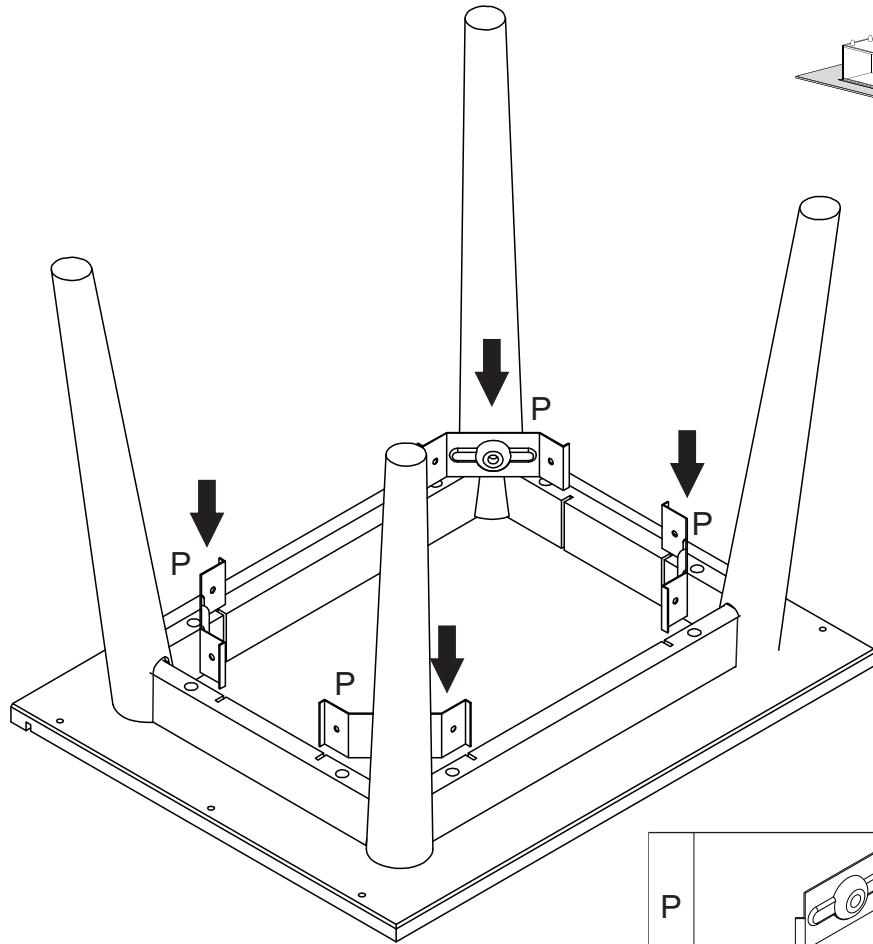
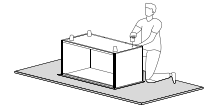


Attach part 36 to part 34 using screw (E) and Phillips head screwdriver.



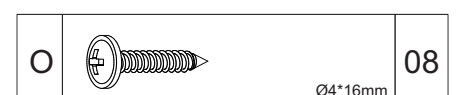
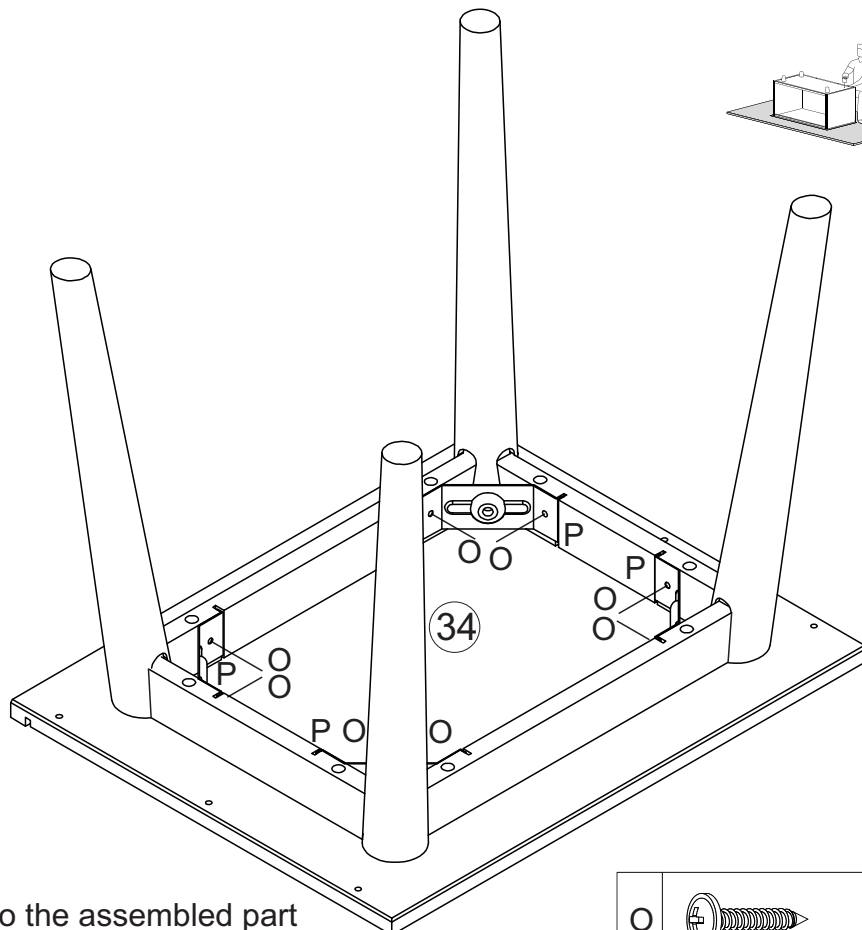
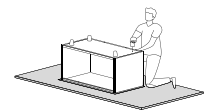


# Step 10



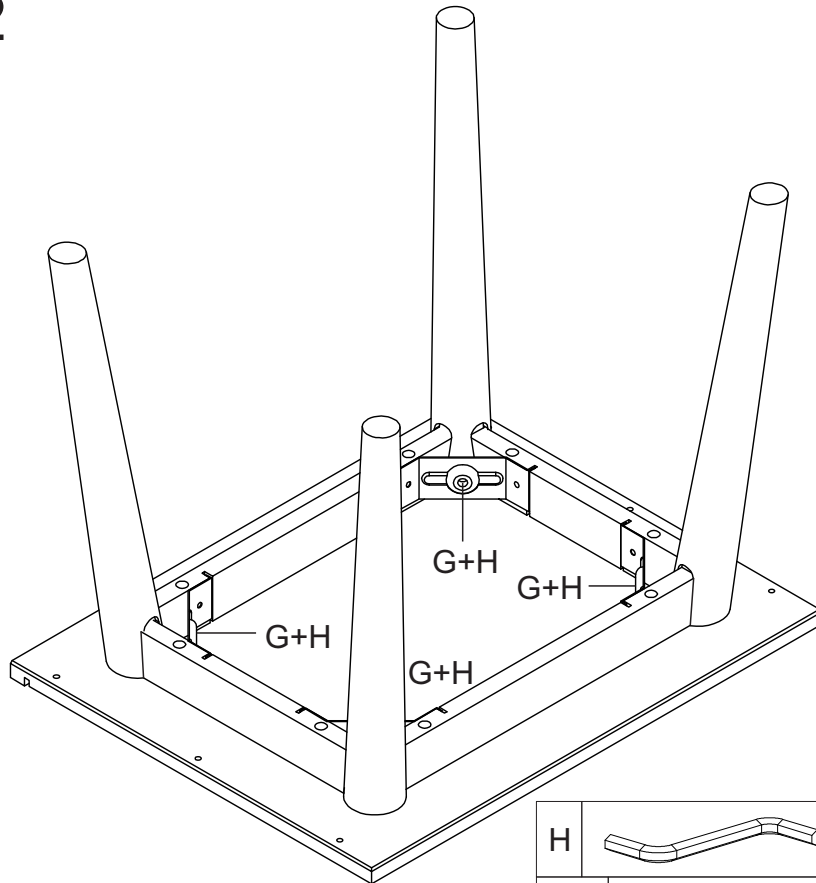
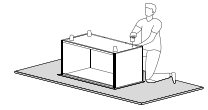
Attach angle bracket (P) to base.

# Step 11



Attach angle bracket (P) to the assembled part using screw (O) and Phillips head screwdriver.

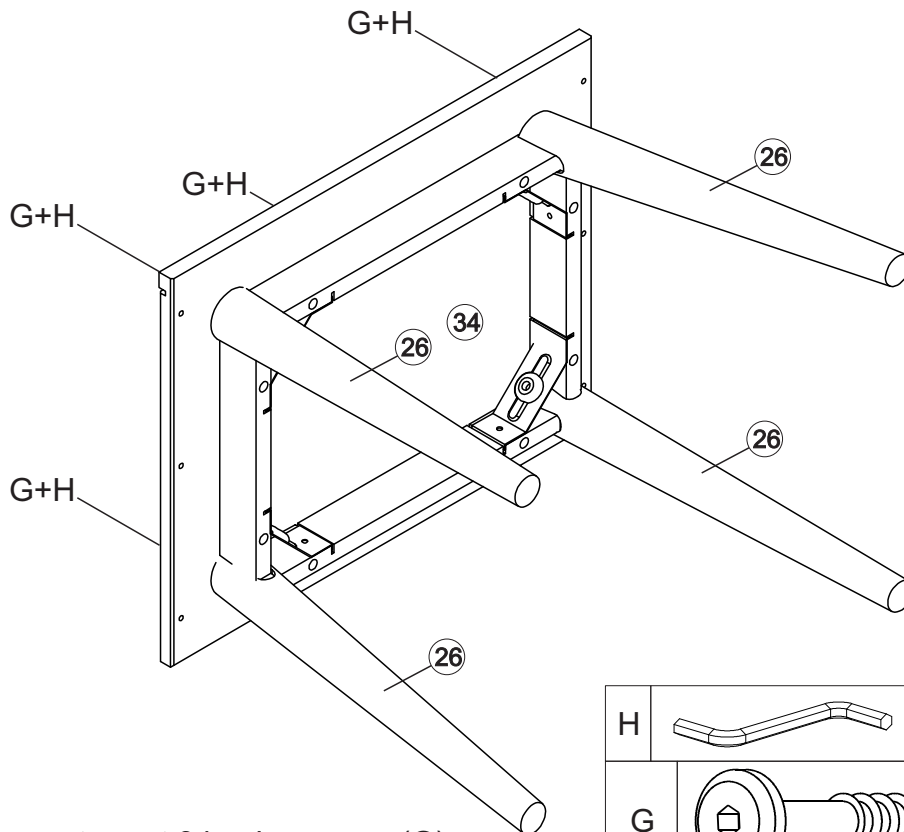
# Step 12



H		01
G		04

Insert screw (G) into angle bracket (P).  
using a Hex Key (H).

# Step 13

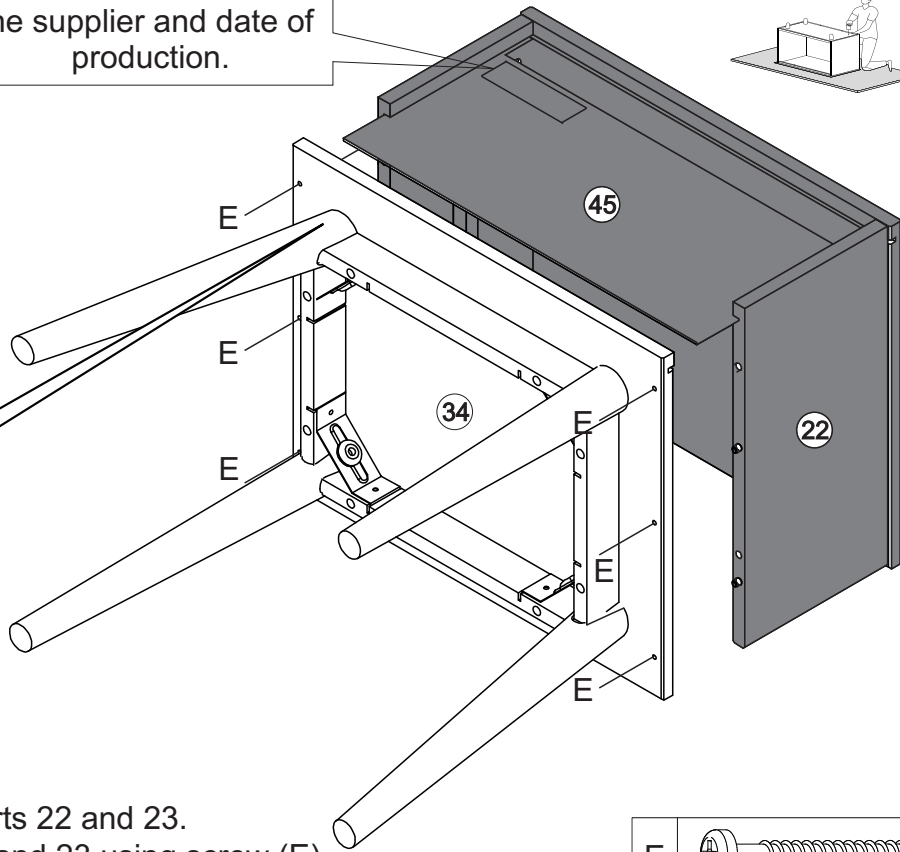
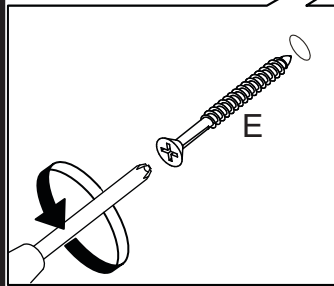
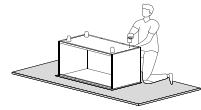


H		01
G		04

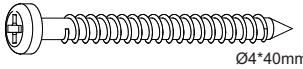
Attach part 26 to part 34 using screw (G)  
and Hex Key (H).

# Step 14

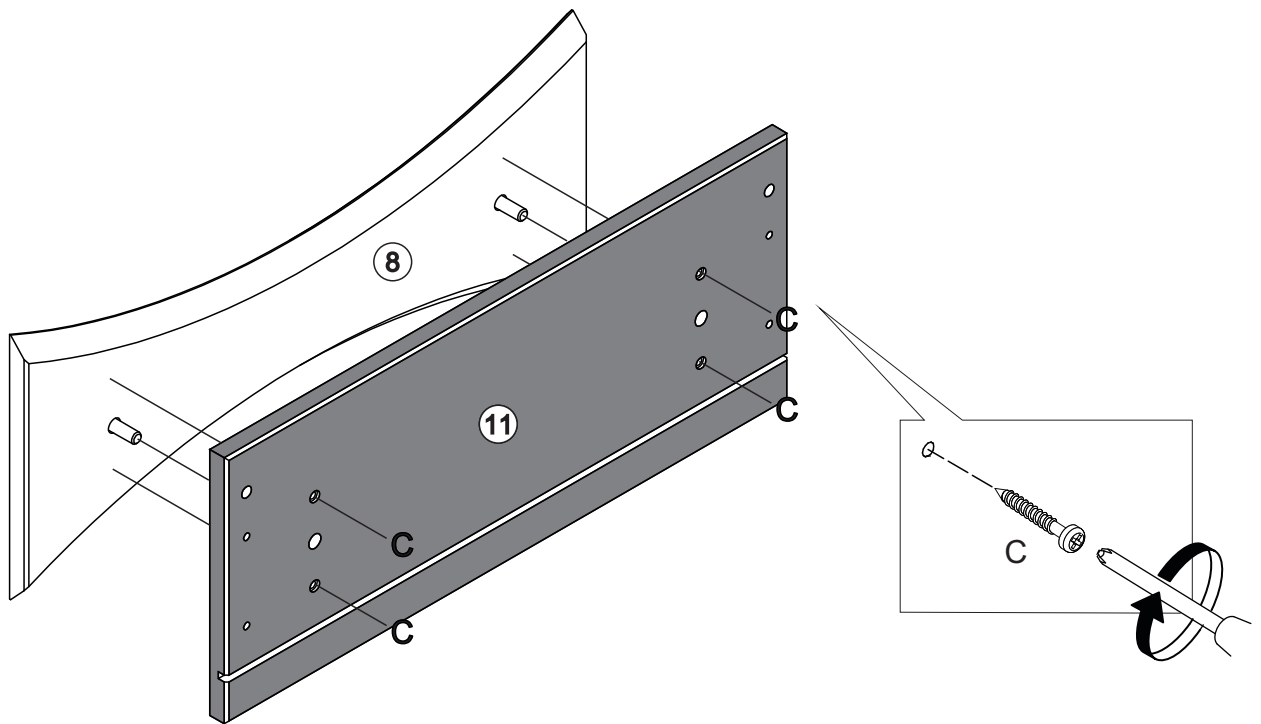
Name and address of the supplier and date of production.




Insert part 45 between parts 22 and 23.  
Attach base 34 to part 22 and 23 using screw (E)  
and Phillips head screwdriver.

E		06
		Ø4*40mm

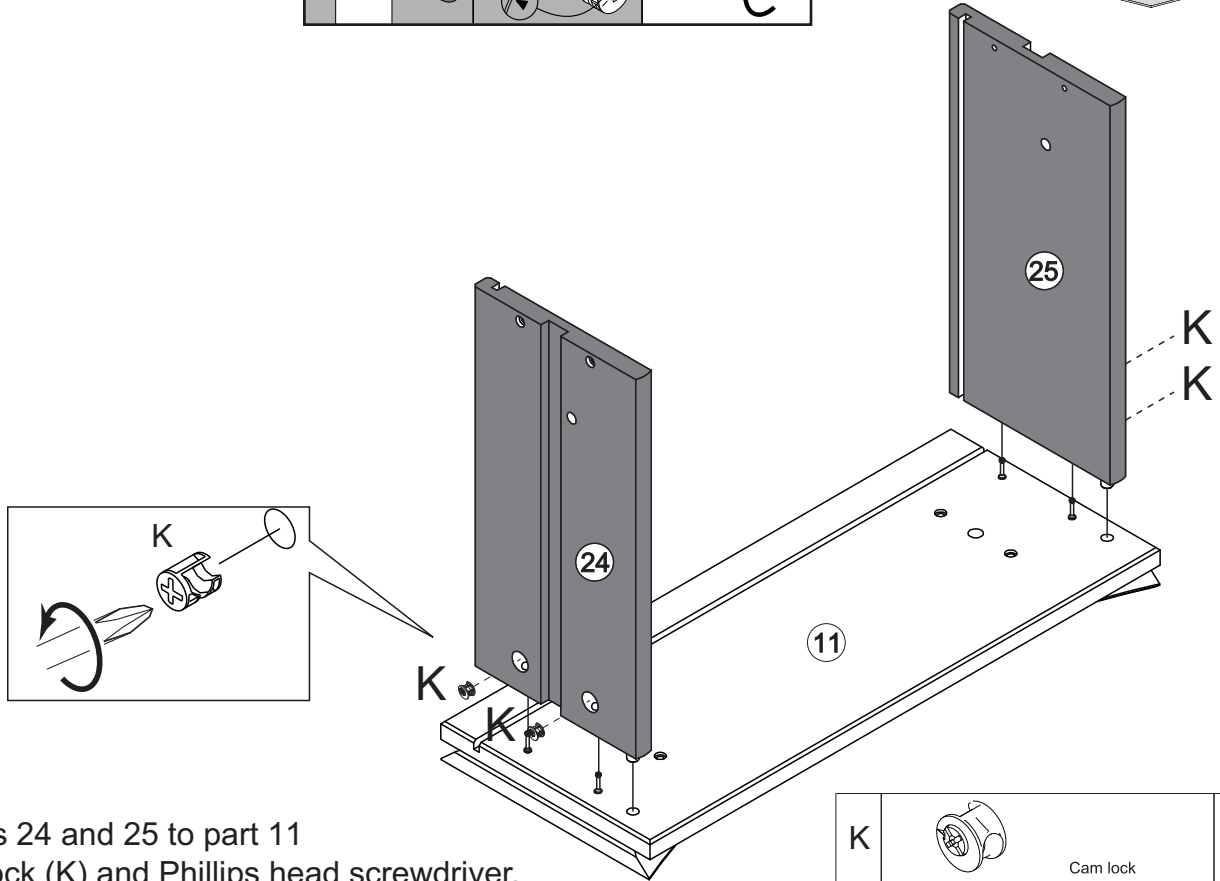
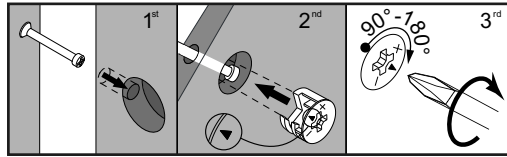
# Step 15



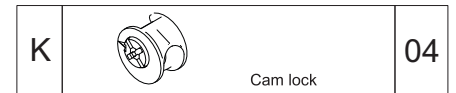
Attach part 8 to part 11, with screws (C)  
and Phillips head screwdriver.

C		04
		Ø4*25mm

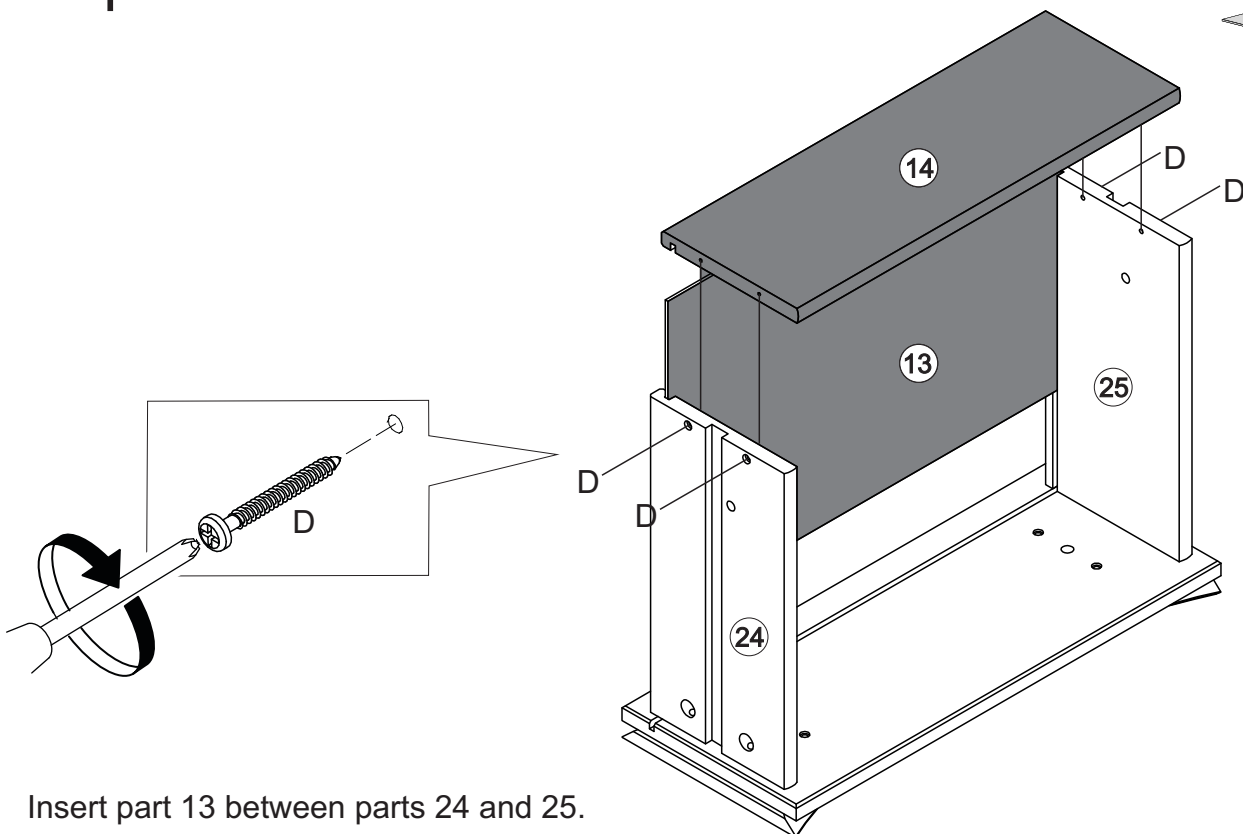
# Step 16



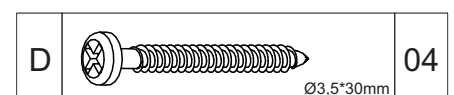
Attach parts 24 and 25 to part 11 with Cam lock (K) and Phillips head screwdriver.



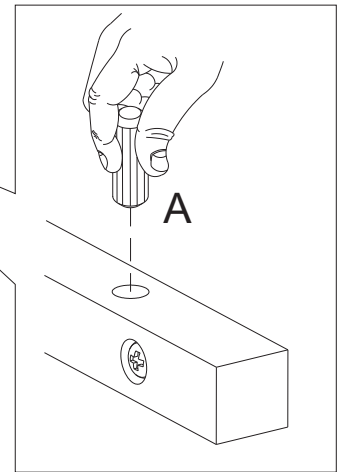
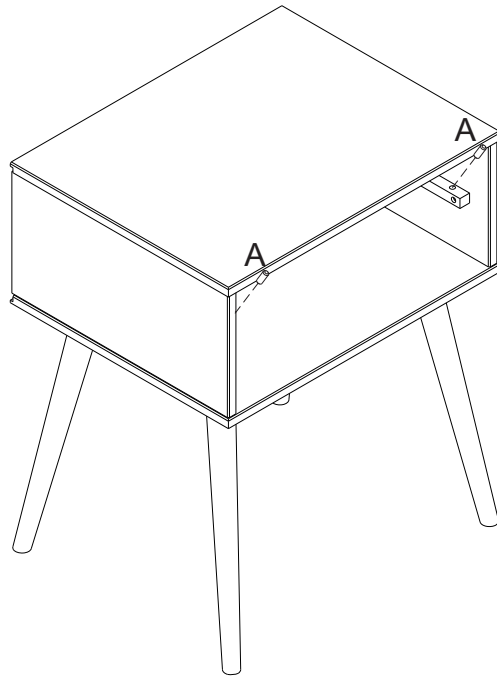
# Step 17



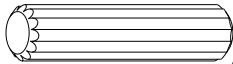
Insert part 13 between parts 24 and 25. Attach part 14 to parts 24 and 25 with screws (D), and Phillips head screwdriver.



# Step 18

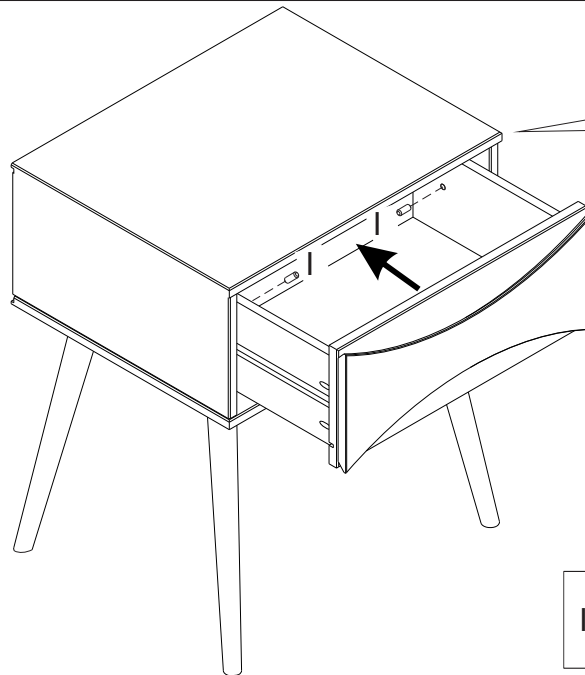


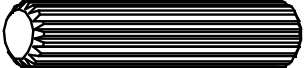
Insert wooden dowel (A) into part 17.

A		02
		Ø8*30mm

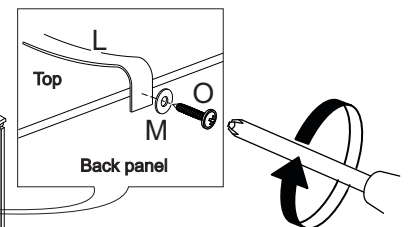
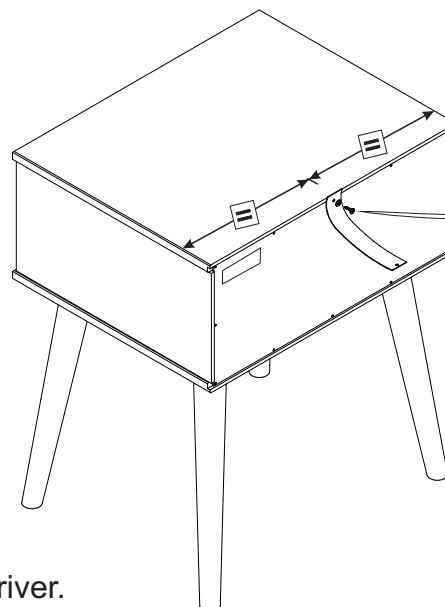
# Step 19

Insert wood dowel (I) on the inside of the drawer, with the drawer inside the unit after having passed the wood dowel that is in the drawer slide. The dowel is not flush with the panel, it is a little inside the drawer to help when you need to remove the lock dowel to remove the drawer.



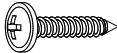


I		02
		Ø8*40mm

# Step 20



Attach part (L) with screw (O) and washer (M), in the frame of superior panel unit using Phillips head screwdriver.

L		01
M		01
O		01
		Ø4,0*16mm

# Step 21

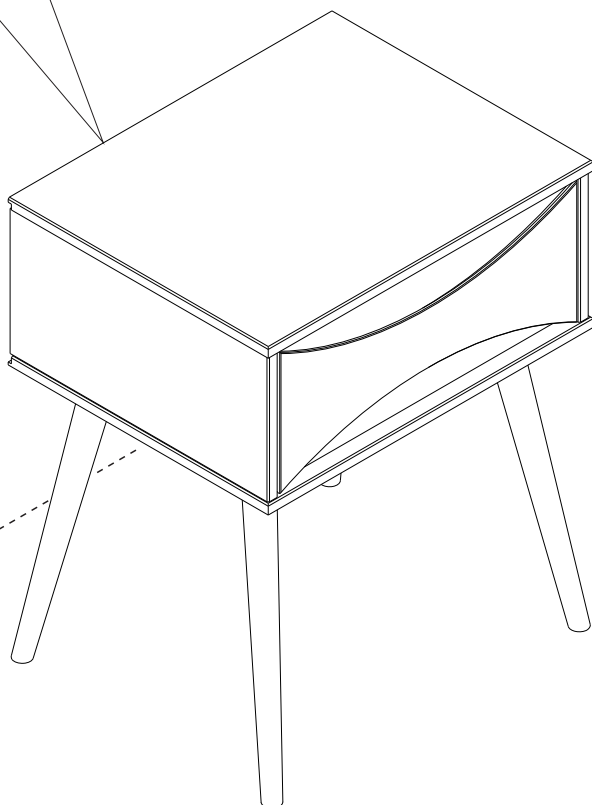
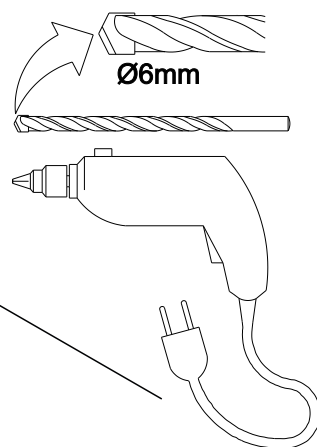
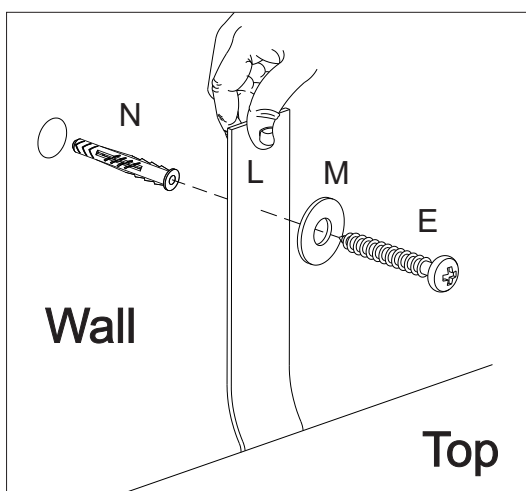
## WARNING

**Serious or fatal injuries can occur from furniture tipping over. To prevent the furniture from tipping over we recommend that it is permanently fixed to the wall.**

**Wall anchor and hardware are included with this product. Please make sure hardware is suitable for your walls before installing, as different wall materials may require different types of anchors.**

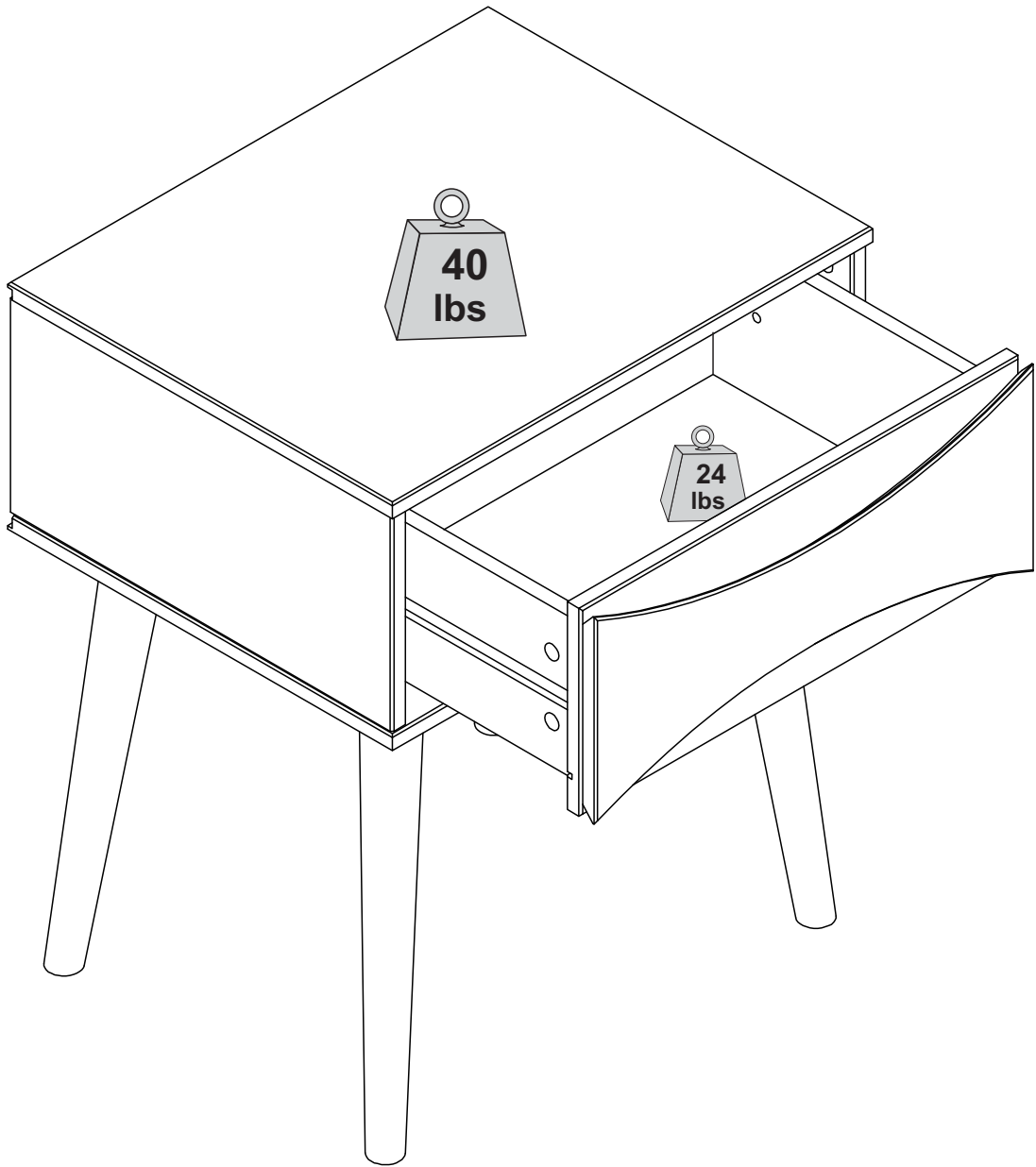


With drilling machine make one hole in the wall, Insert part (N) in the hole. Secure part (L) with screw (P) and washer (M), in the wall.



M		01
N	 Ø6*35mm	01
E	 Ø4*40mm	01

Name and address information for the manufacturer responsible for the anti-tip hardware and date of production can be found on the label on the back of the furniture.



**Assembly Complete!**

