

Item: HANB4C

Assembly Instructions

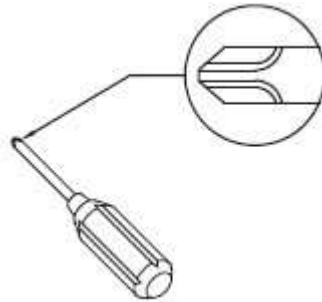


Please visit our website for the most current instructions, assembly tips, to report damage or request parts. www.walkeredison.com

Revised 07/2022 - V1

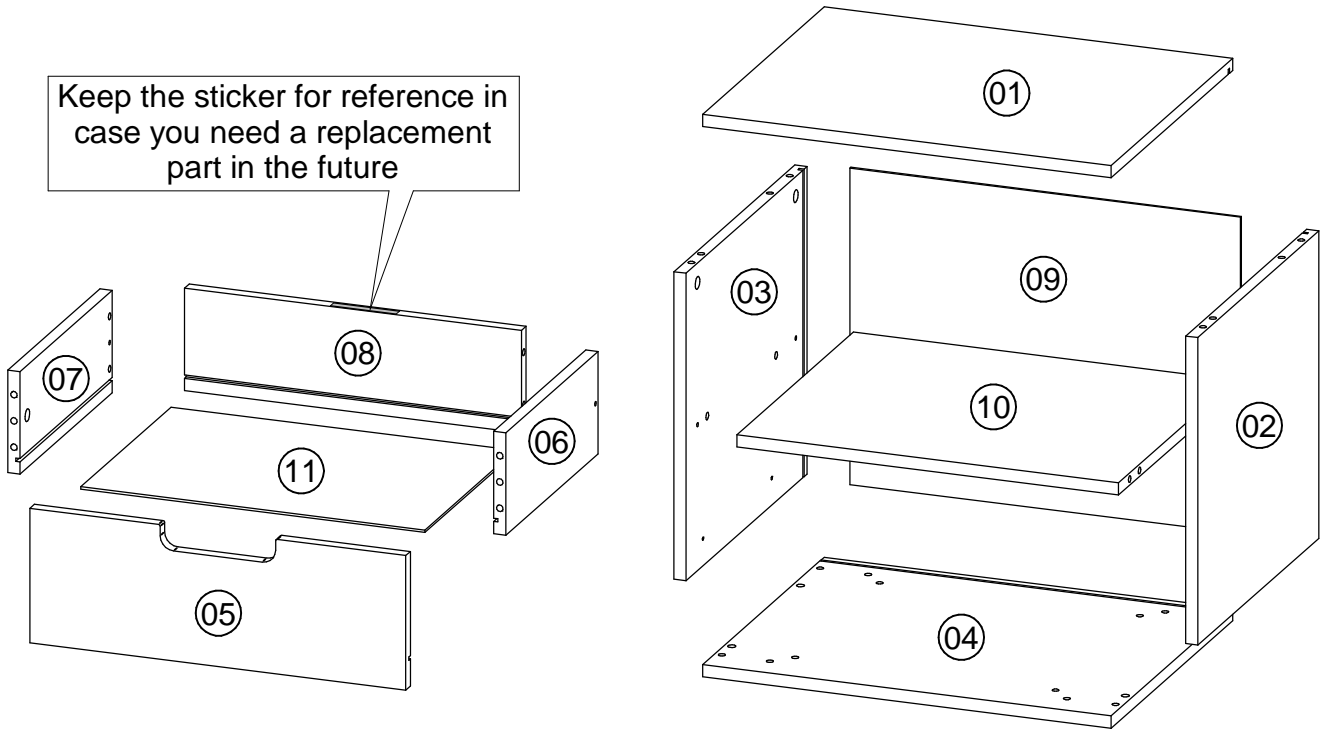
General Assembly Guidelines

- I. Ensure that all parts and hardware are available before beginning assembly.
- II. Follow each step carefully to ensure the proper assembly of this product.
- III. Two people are recommended for ease in the assembly of this product.
- IV. The two main types of hardware used to assemble this product are: wood dowels and screws.
- V. A Phillips head screwdriver is required for the assembly of this product (not included)




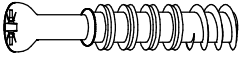
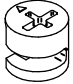


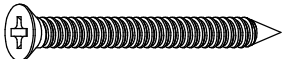
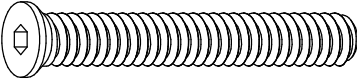

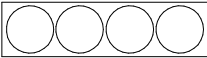


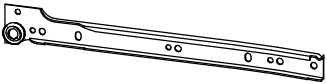
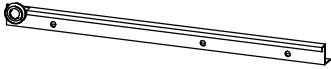
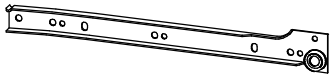
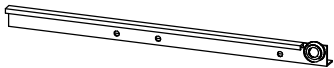
Parts List

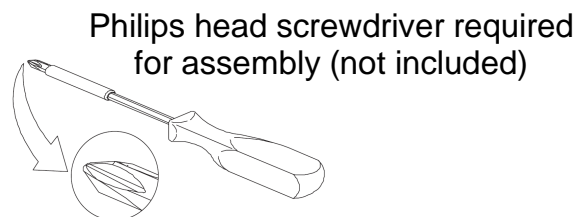
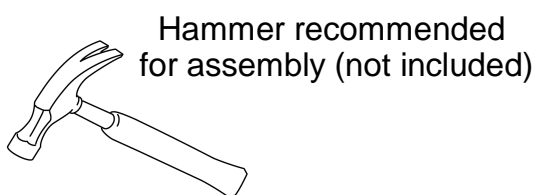
Keep the sticker for reference in case you need a replacement part in the future



Part #	Description	Qty
01	Top Panel	1
02	Right Side Panel	1
03	Left Side Panel	1
04	Bottom Panel	1
05	Drawer Front	1
06	Right Drawer Side	1
07	Left Drawer Side	1
08	Drawer Back	1
09	Back Panel	1
10	Shelf	1
11	Drawer Bottom	1

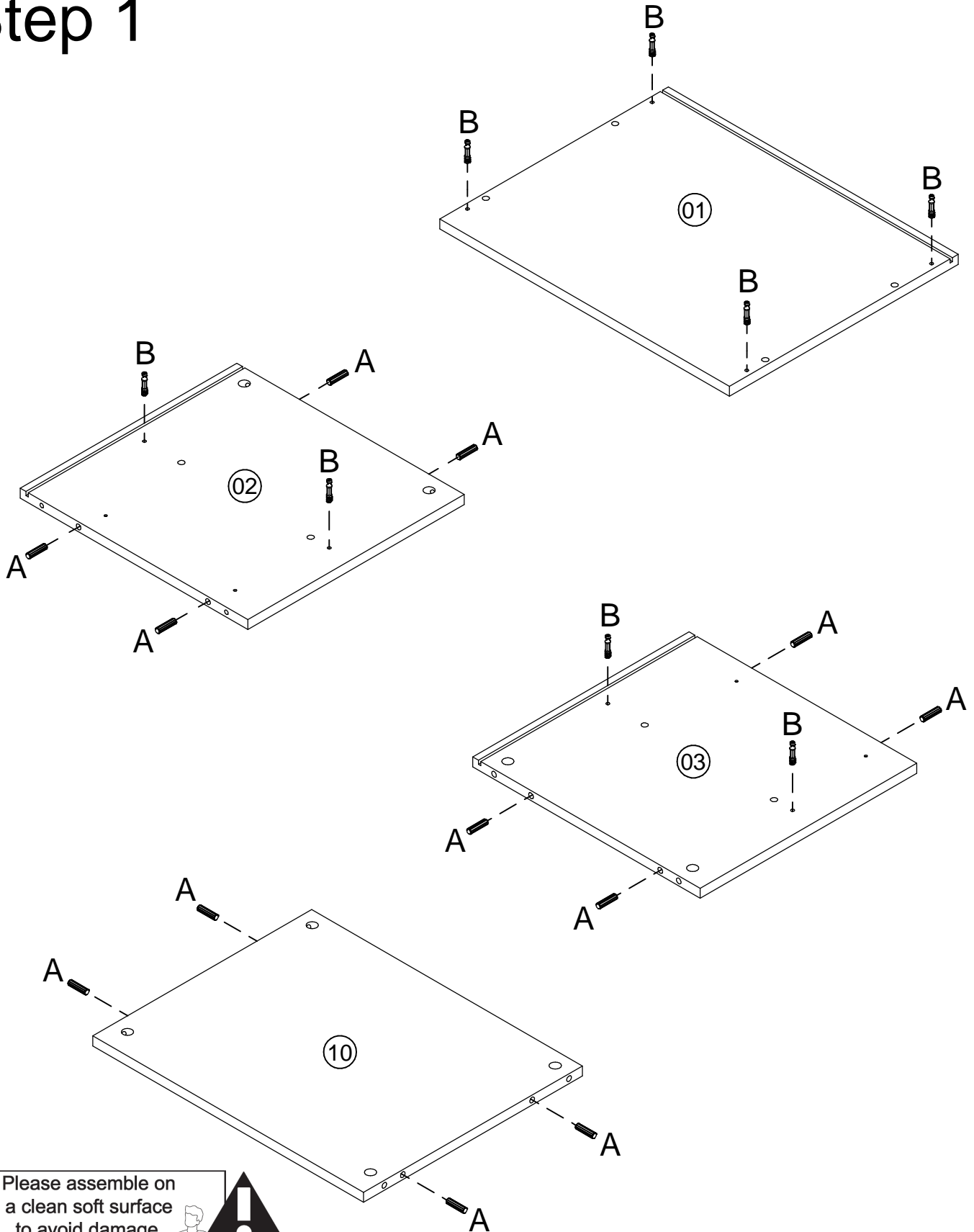
Hardware List

A		Ø8x30	Wooden Dowel	20 pcs
B		Ø6x31mm	Cam Bolt	10 pcs
C		Ø15x10mm	Cam Lock	10 pcs
D		Ø3,5x14mm	Screw	8 pcs
E		Ø3x16mm	Screw	4 pcs
F		Ø4x40mm	Screw	2 pcs
G		Ø7x50	Screw	12 pcs
H		14x14mm	Support	4 pcs
I		Ø 19mm	Sticker	6 pcs
J		21x47x4mm	Hex Key	1 pcs
K		150mm	Foot	4 pcs
L1		300mm	Slider	1 pcs
L2		300mm	Slider	1 pcs
R1		300mm	Slider	1 pcs
R2		300mm	Slider	1 pcs



*The hardware quantities listed above are required for proper assembly.
Some extra hardware may also have been included.*

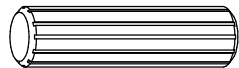
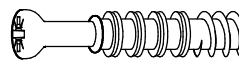
Step 1



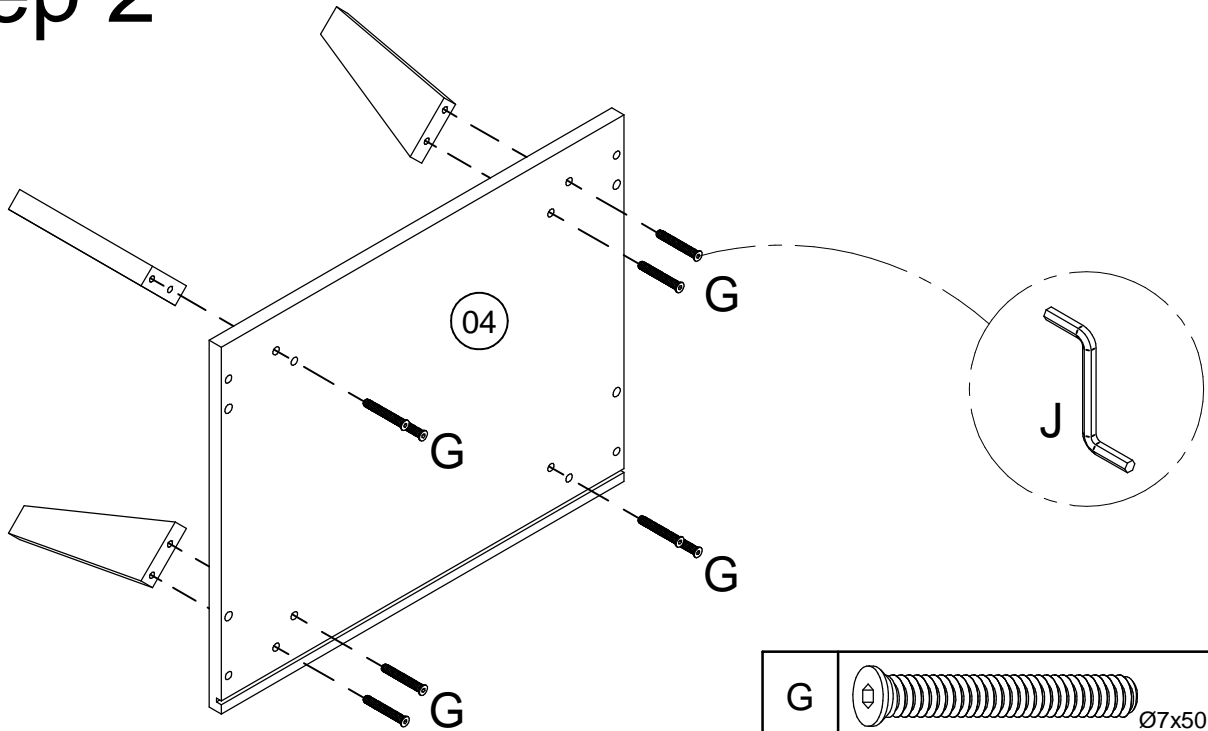
Please assemble on a clean soft surface to avoid damage.





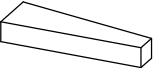
Insert wooden dowel (A) to parts (2,3,10) and insert cam bolt (B) to parts (1,2,3).

A	 Ø8x30	12
B	 Ø6x31mm	8

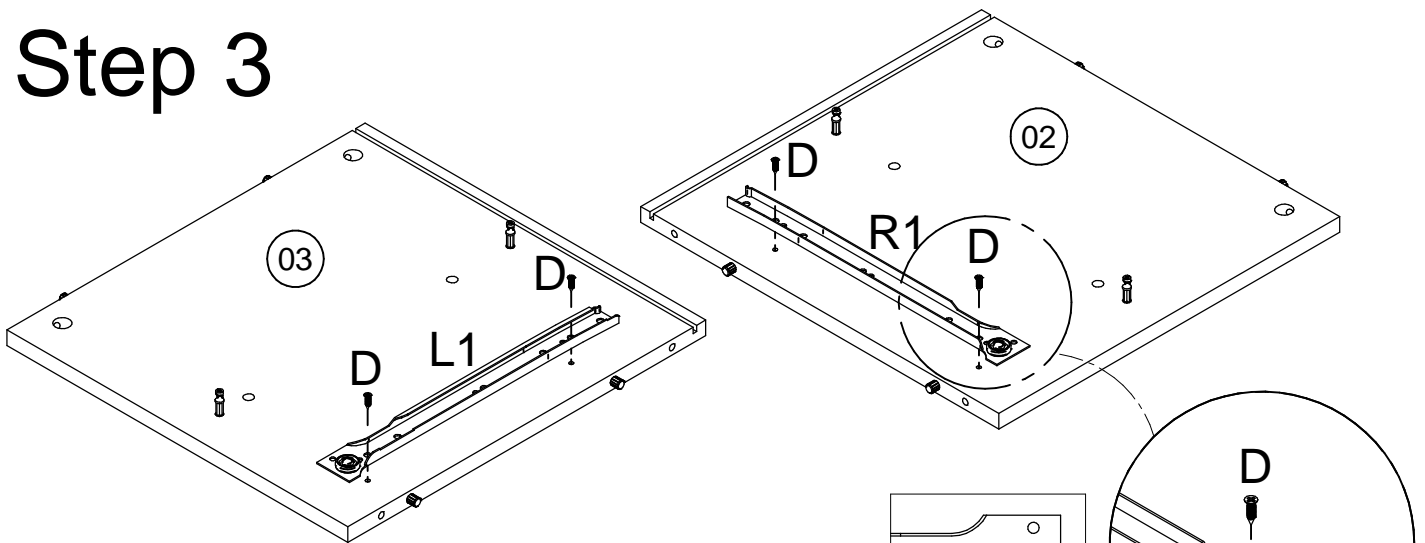
Step 2



Attach feet (K) to part (4) with screw (G) and hex key (J).

G	 Ø7x50	8
J	 21x47x4mm	1
K	 150mm	4

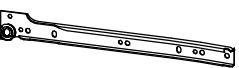
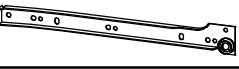

Step 3



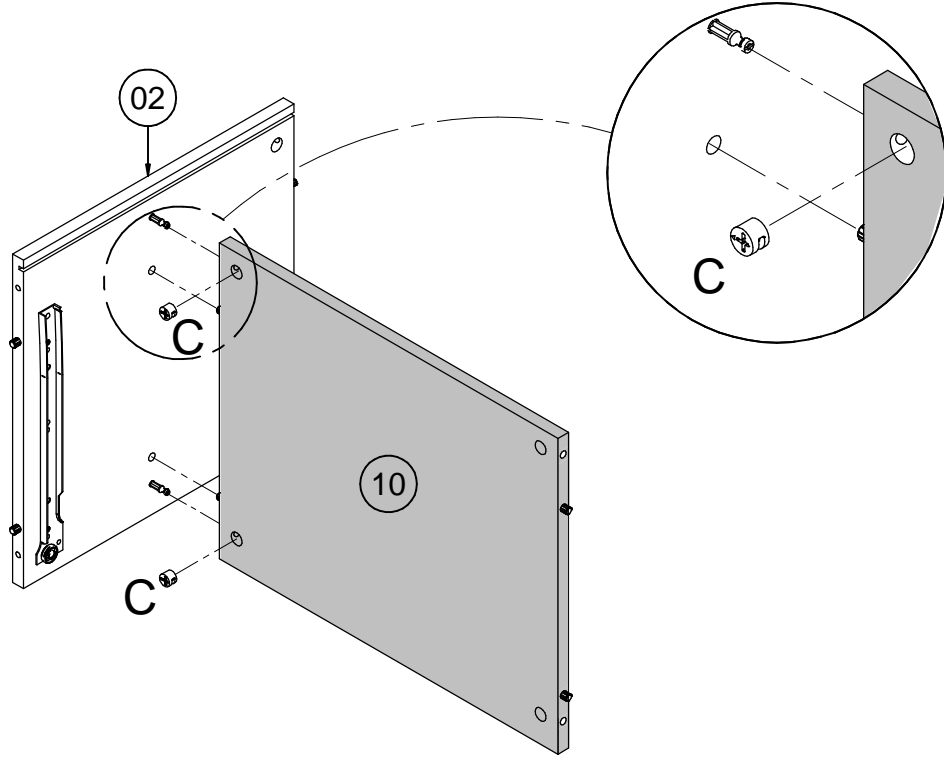
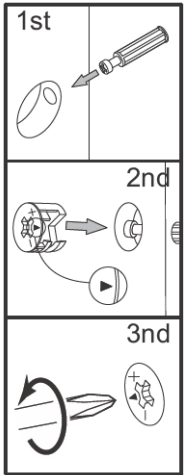
Please assemble on a clean soft surface to avoid damage.



Attach slides (L1,R1) to parts (2,3) with screw (D).

L1	 300mm	1
R1	 300mm	1
D	 Ø3,5x14mm	4

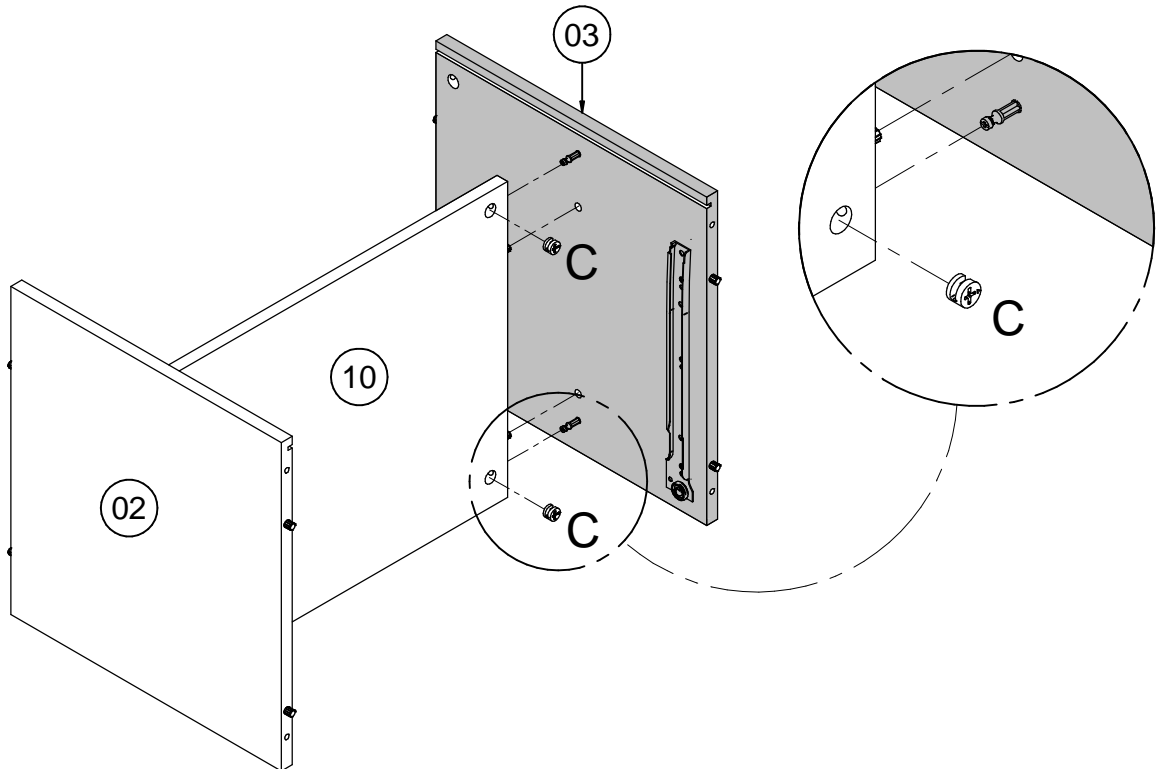
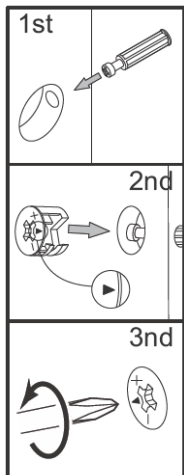
Step 4




Secure part (10) to part (2) using cam lock (C) as per diagram.

C		Ø15x10mm	2
----------	--	----------	---

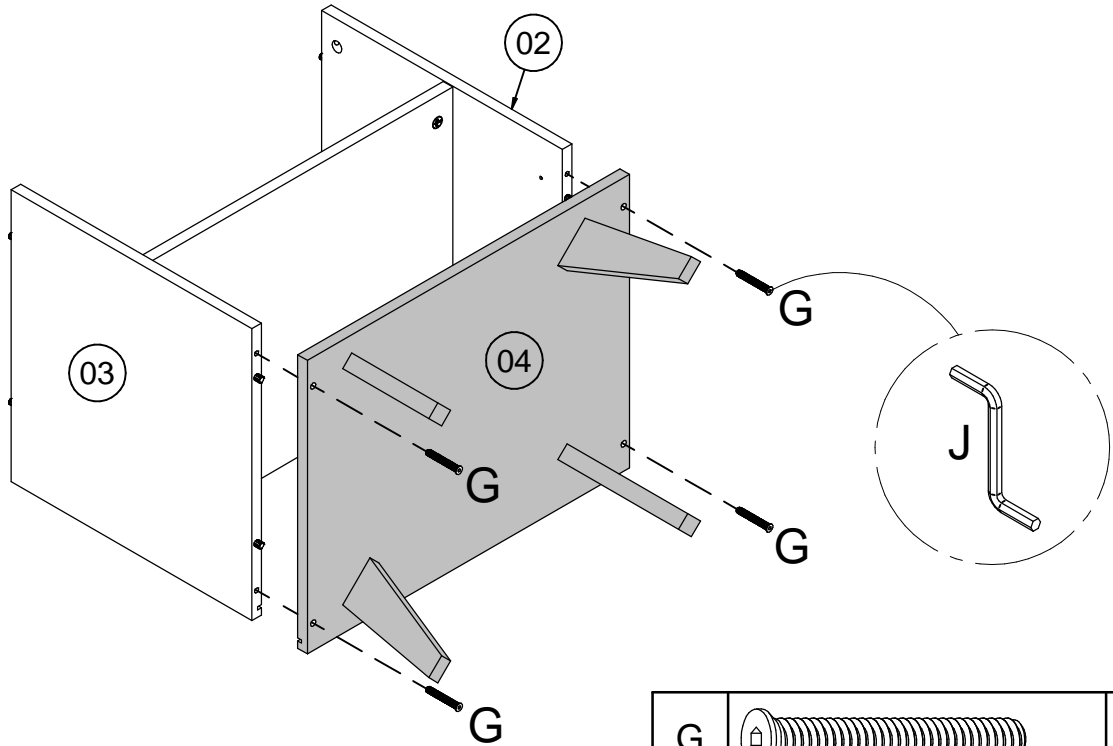
Step 5



Secure parts (2,10) to part (3) using cam lock (C) as per diagram.

C		Ø15x10mm	2
----------	---	----------	---

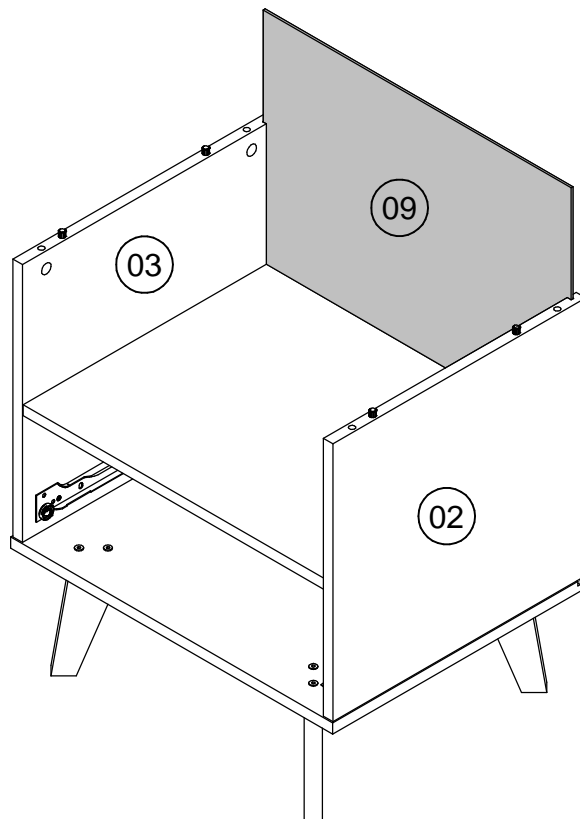
Step 6



Secure part (4) to parts (2,3) using screw (G) and hex key (J).

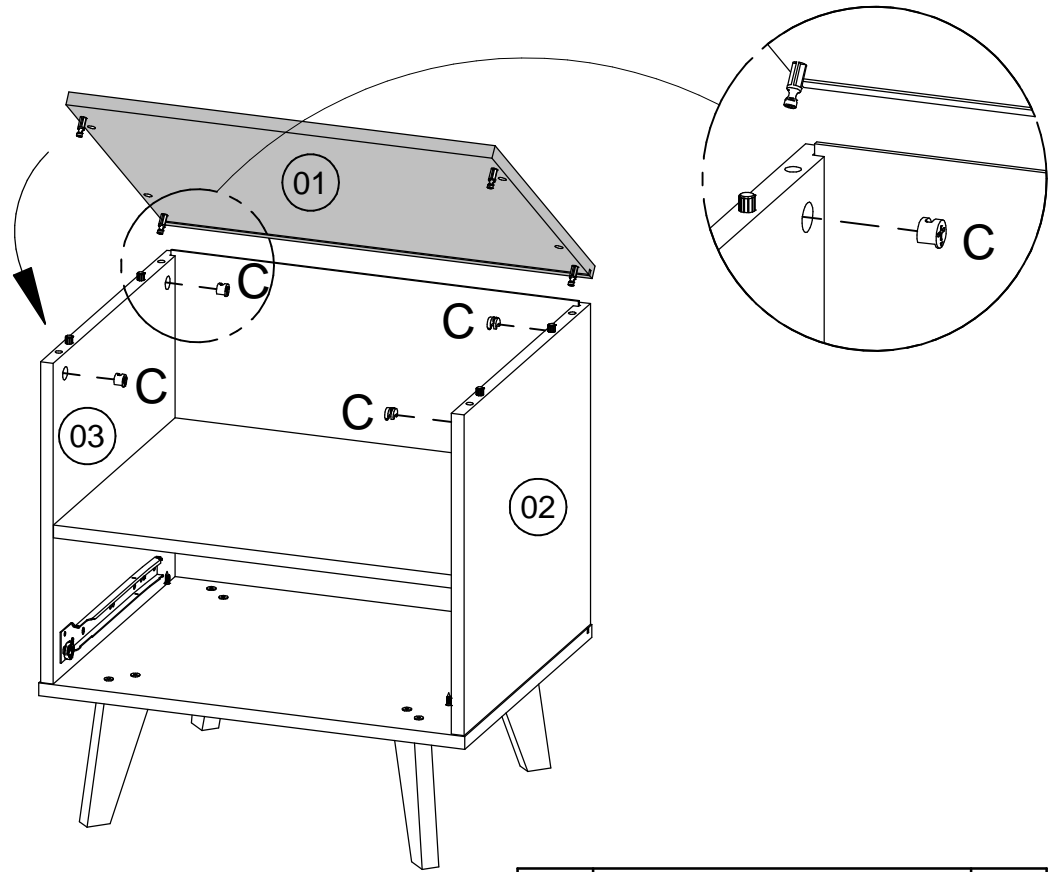
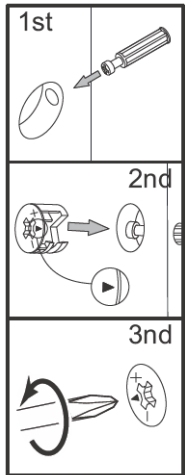
G	Ø7x50	4
J	21x47x4mm	1

Step 7



Slide back panel (9) into side panel (2,3).

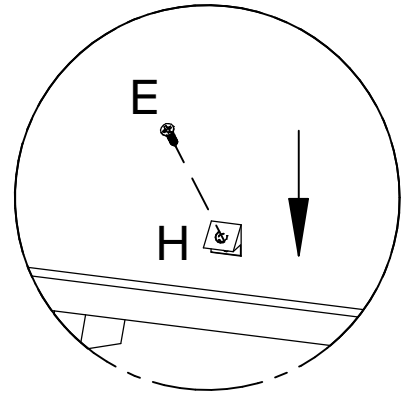
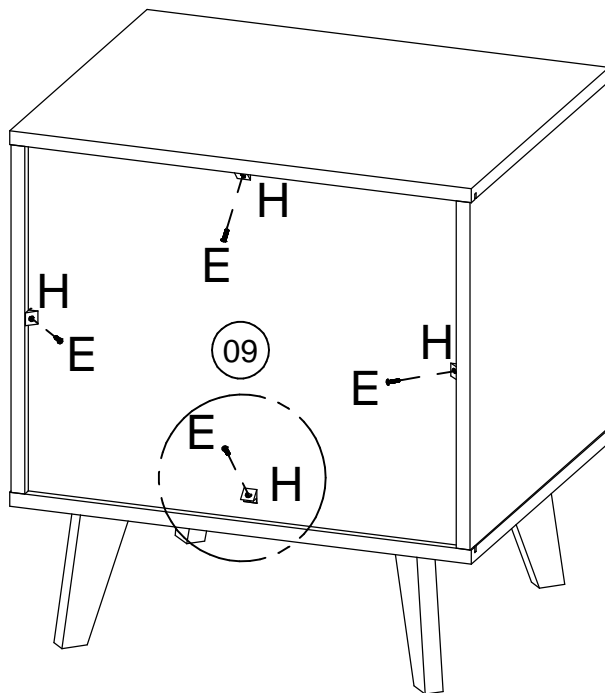
Step 8





Secure part (1) to parts (2,3) using cam lock (C).

C		Ø15x10mm	4
---	--	----------	---

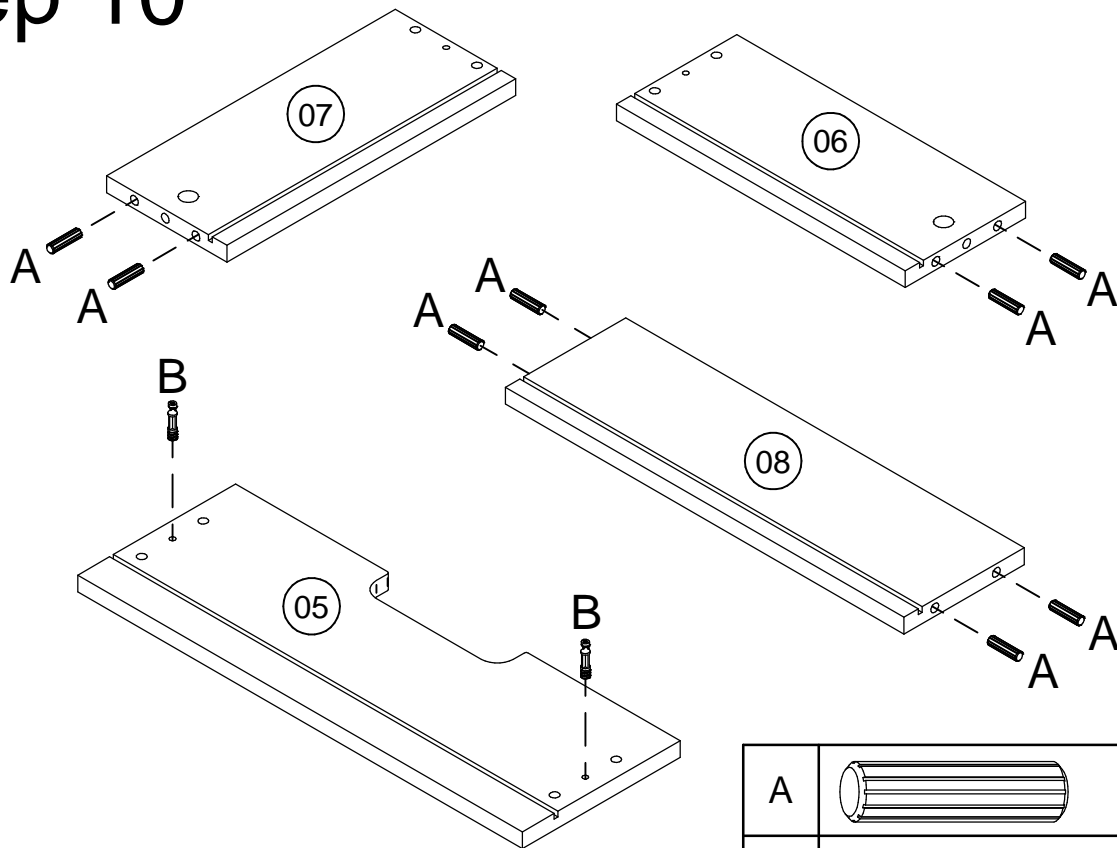
Step 9




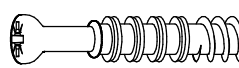
Secure back panel (9) using screw (E) and support (H).

E		Ø3x16mm	4
H		14x14mm	4

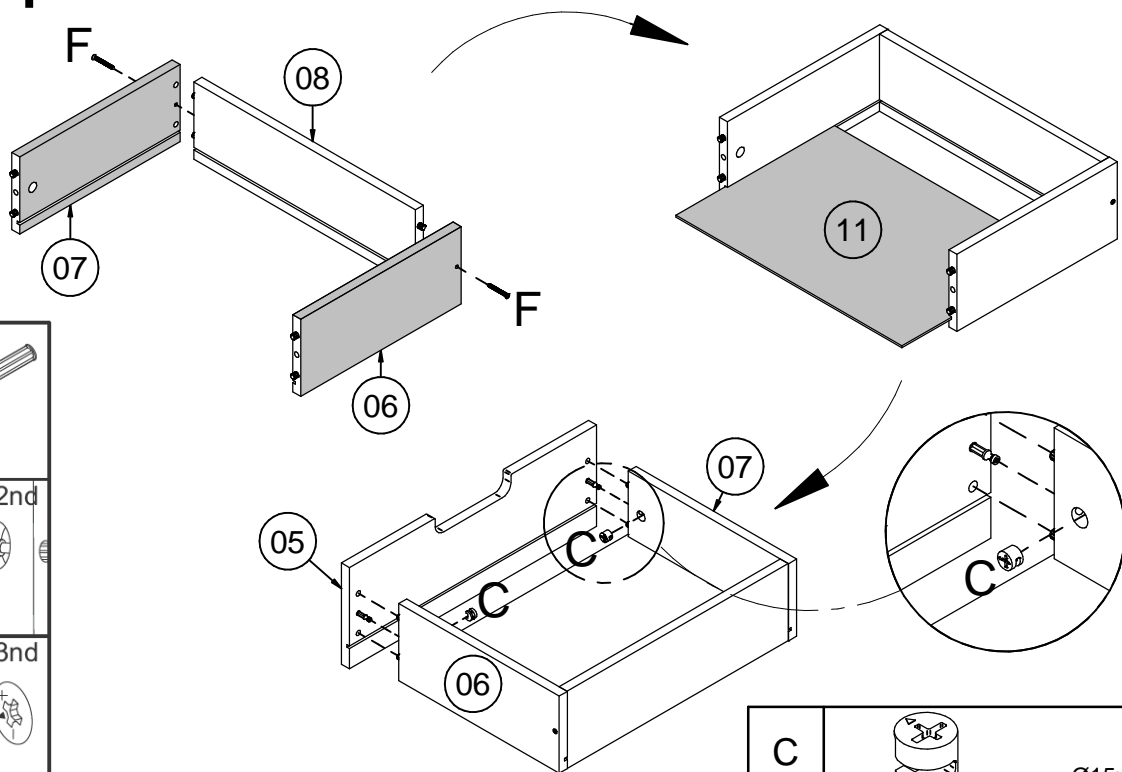
Step 10



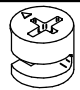
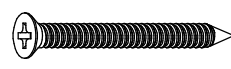
Insert wooden dowel (A) to parts (6,7,8) and insert cam bolt (B) to part (5).

A		Ø8x30	8
B		Ø6x31mm	2

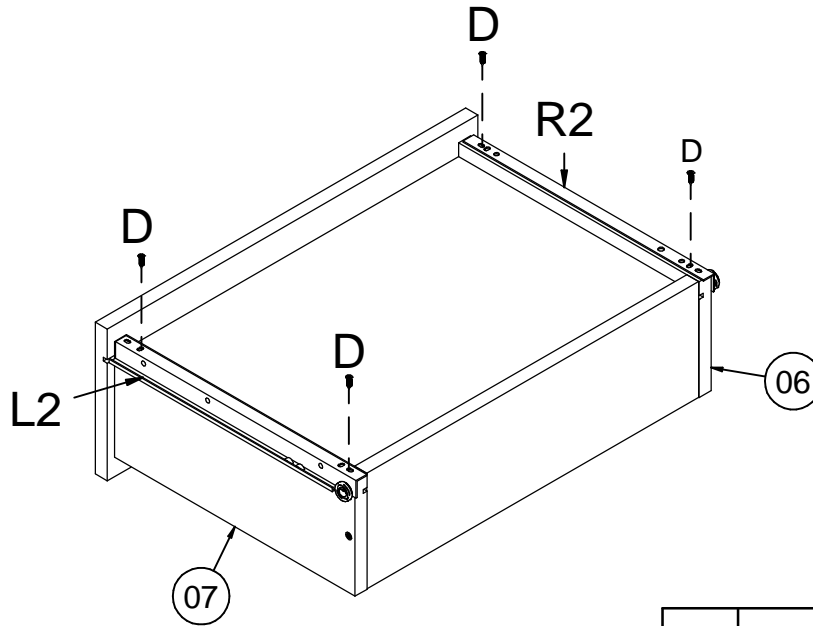
Step 11






Secure parts (6,7) to part (8) using screw (F).
Secure part (5) to parts (6,7) using cam lock (G).

C		Ø15x10mm	2
F		Ø4x40mm	2

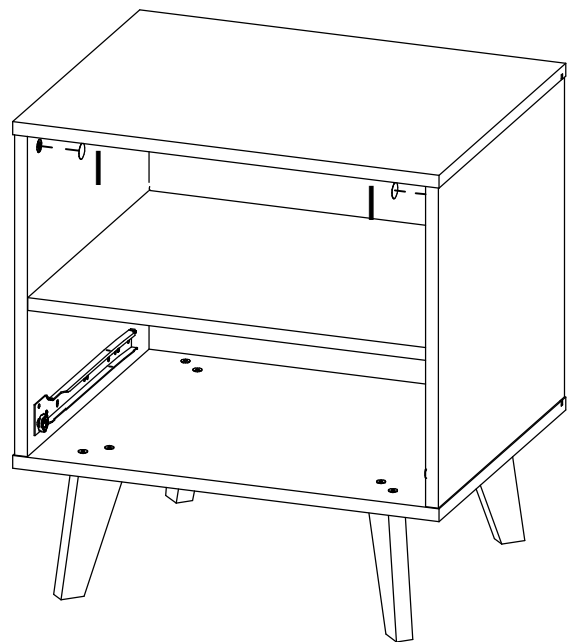
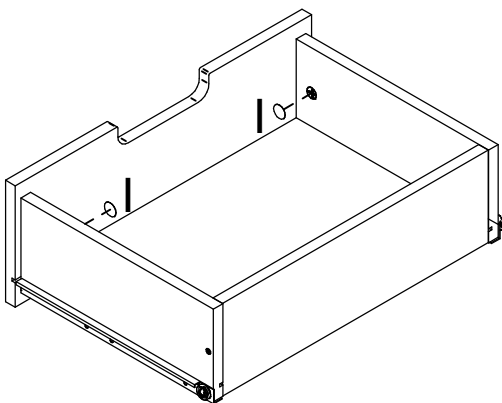
Step 12



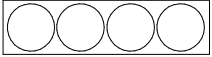
Attach slides (L2,R2) to parts (6,7) with screw (D).

D	 Ø3,5x14mm	4
L2	 300mm	1
R2	 300mm	1

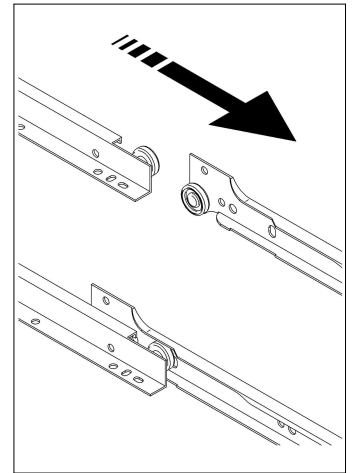
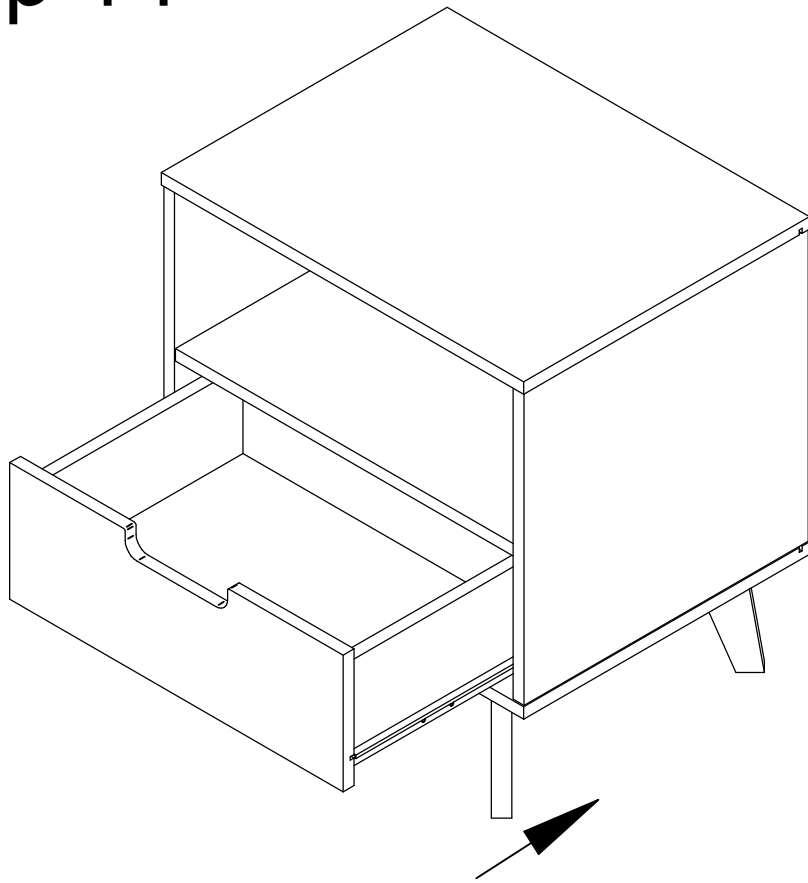
Step 13



Place sticker (I) over holes as per diagram.

I	 Ø 19mm	6
---	--	---

Step 14



Step 15

