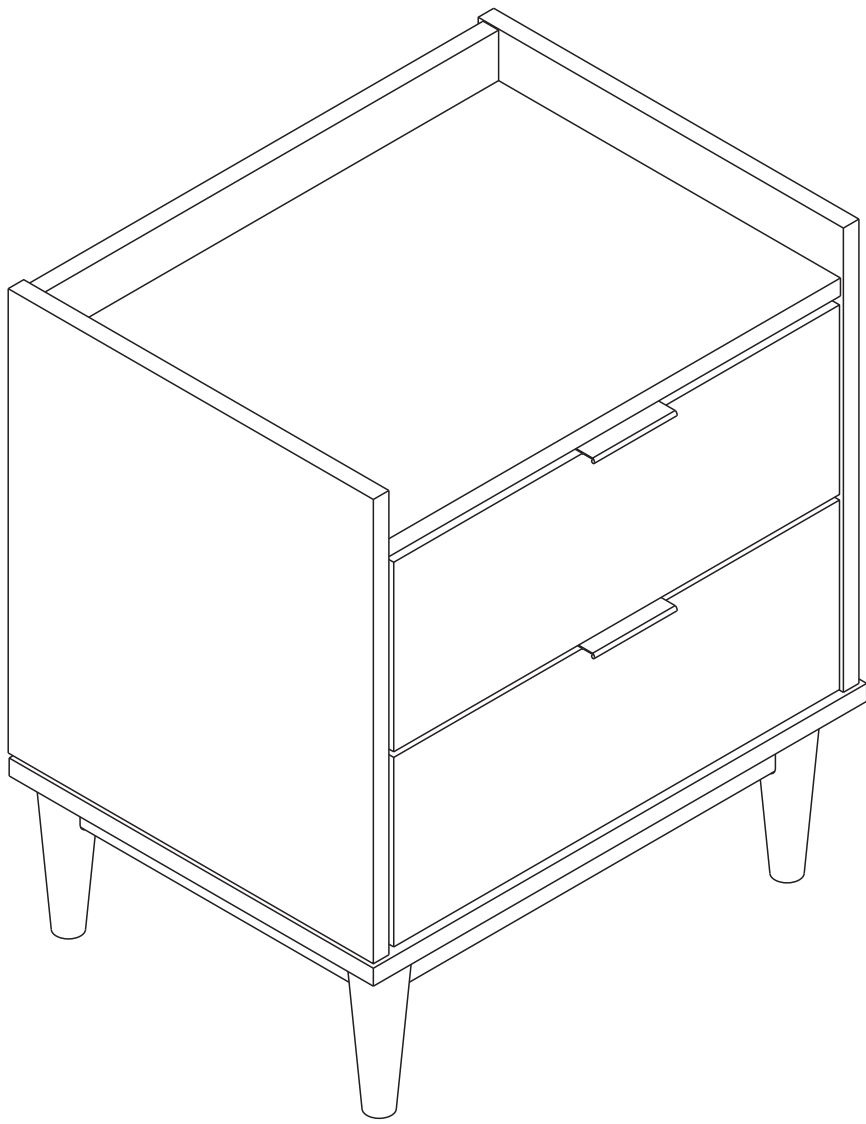


Item: LEEB4C

Assembly Instructions

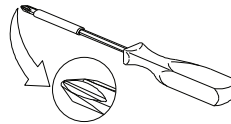
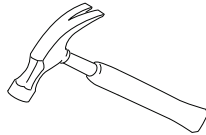


Please visit our website for the most current instructions, assembly tips, to report damage or request parts. www.walkeredison.com

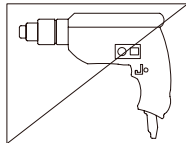
Revised 02/2024-V2

General Assembly Guidelines

- I. Ensure that all parts and hardware are available before beginning assembly.
- II. Follow each step carefully to ensure the proper assembly of this product.
- III. Two people are recommended for ease in the assembly of this product.
- IV. The three main types of hardware used to assemble this product are wood dowels, screws and bolts.
- V. A Phillips head screwdriver and hammer are required for the assembly of this product.



- VI. Power tools should not be used to assemble this product.

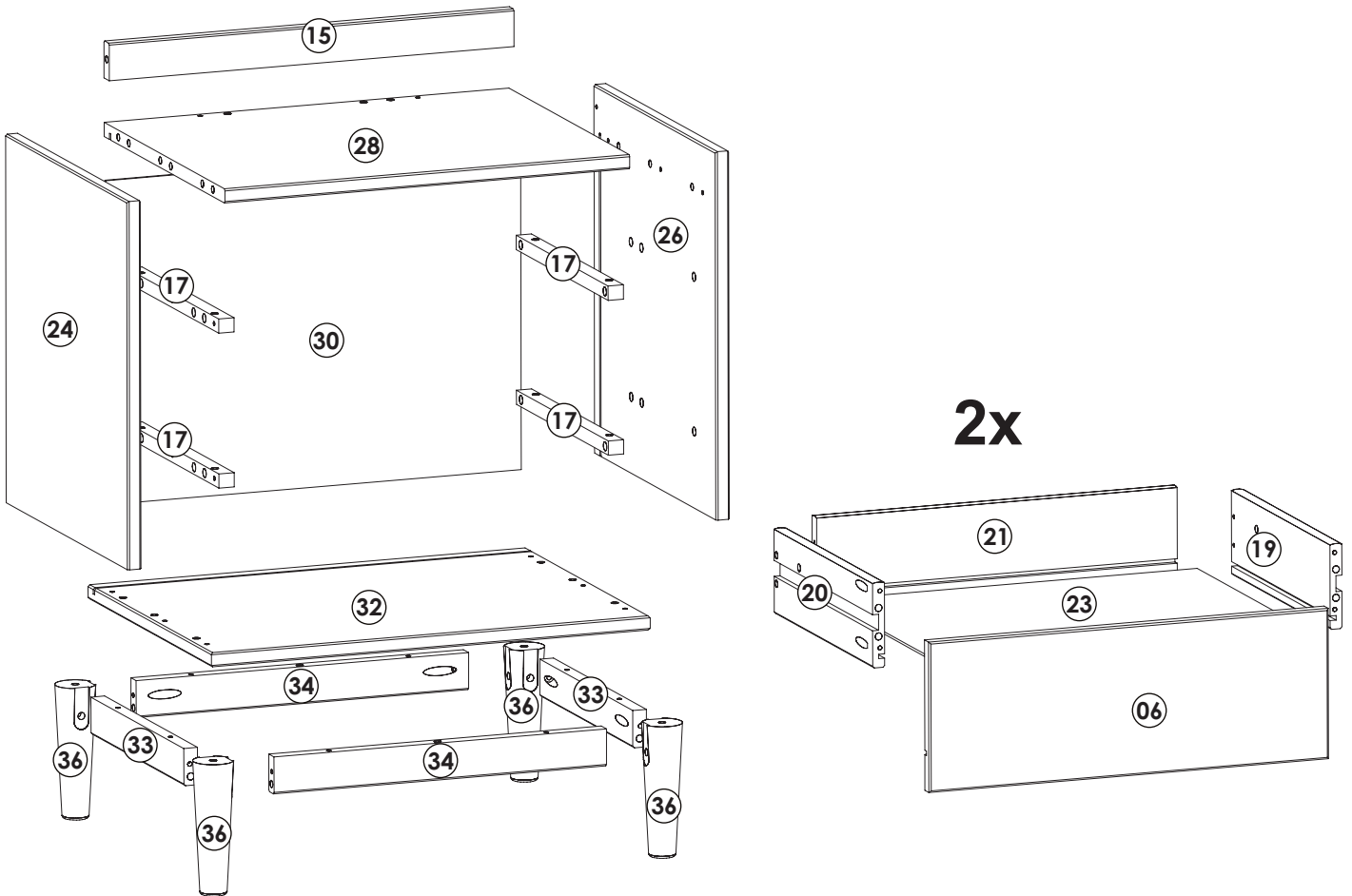


VII. Maintenance Guide

To maintain long term performance and easy gliding of your solid wood drawers, we recommend applying wax to the wooden guide rails.

1. Bee's wax is recommended or Paraffin wax from a standard candle can be used.
2. Apply the wax by rubbing it on the wooden guide rails where there is wood-on-wood contact when opening and closing the drawer. (Wax should be room temperature, do not melt the wax onto the wood)
3. Wax should be applied every few months for the first year and then only when needed after that to keep the drawers sliding smoothly.

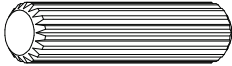
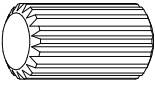
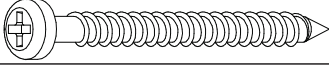
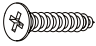
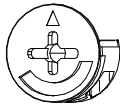
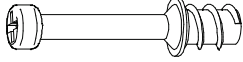
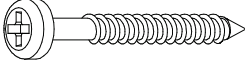
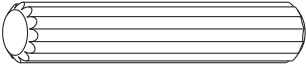

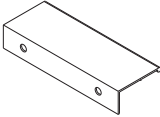
Parts List

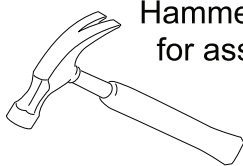


Part#	Description	Qty
06	Drawer front	02 pcs
15	Top crossbeam	01 pc
17	Drawer runner	04 pcs
19	Drawer right side	02 pcs
20	Drawer left side	02 pcs
21	Drawer back	02 pcs
23	Drawer bottom	02 pcs
24	Left side panel	01 pc

Part#	Description	Qty
26	Right side panel	01 pc
28	Top panel	01 pc
30	Back panel	01 pc
32	Base panel	01 pc
33	Bottom side crossbeam	02 pcs
34	Bottom front crossbeam	02 pcs
36	Leg	04 pcs

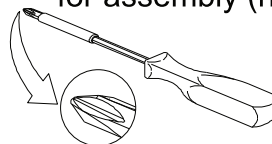
Hardware List

A		Ø8*30mm	Wooden dowel	41 pcs
B		Ø10*20mm	Wooden dowel	12 pcs
C		Ø4,0*40mm	Screw	22 pcs
D		Ø3,0*12mm	Screw	04 pcs
E		Ø15*12mm	Cam lock	08 pcs
F		Ø6*31mm	Cam bolt	08 pcs
G		Ø3,5*30mm	Screw	18 pcs
H		Ø8*40mm	Wooden dowel	04 pcs
I		Ø4,0*25mm	Screw	12 pcs
J			Handle	02 pcs



Hammer recommended
for assembly (not included)

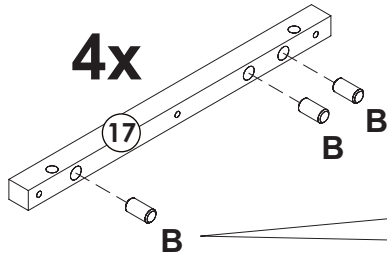
Phillips head screwdriver required
for assembly (not included)



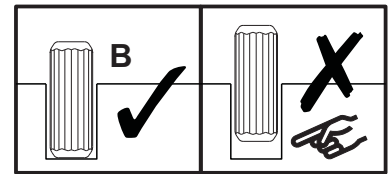
*The hardware quantities listed above are required for proper assembly.
Some extra hardware may also have been included.*

Step 1

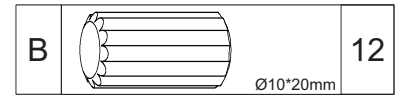
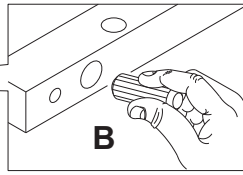
4x



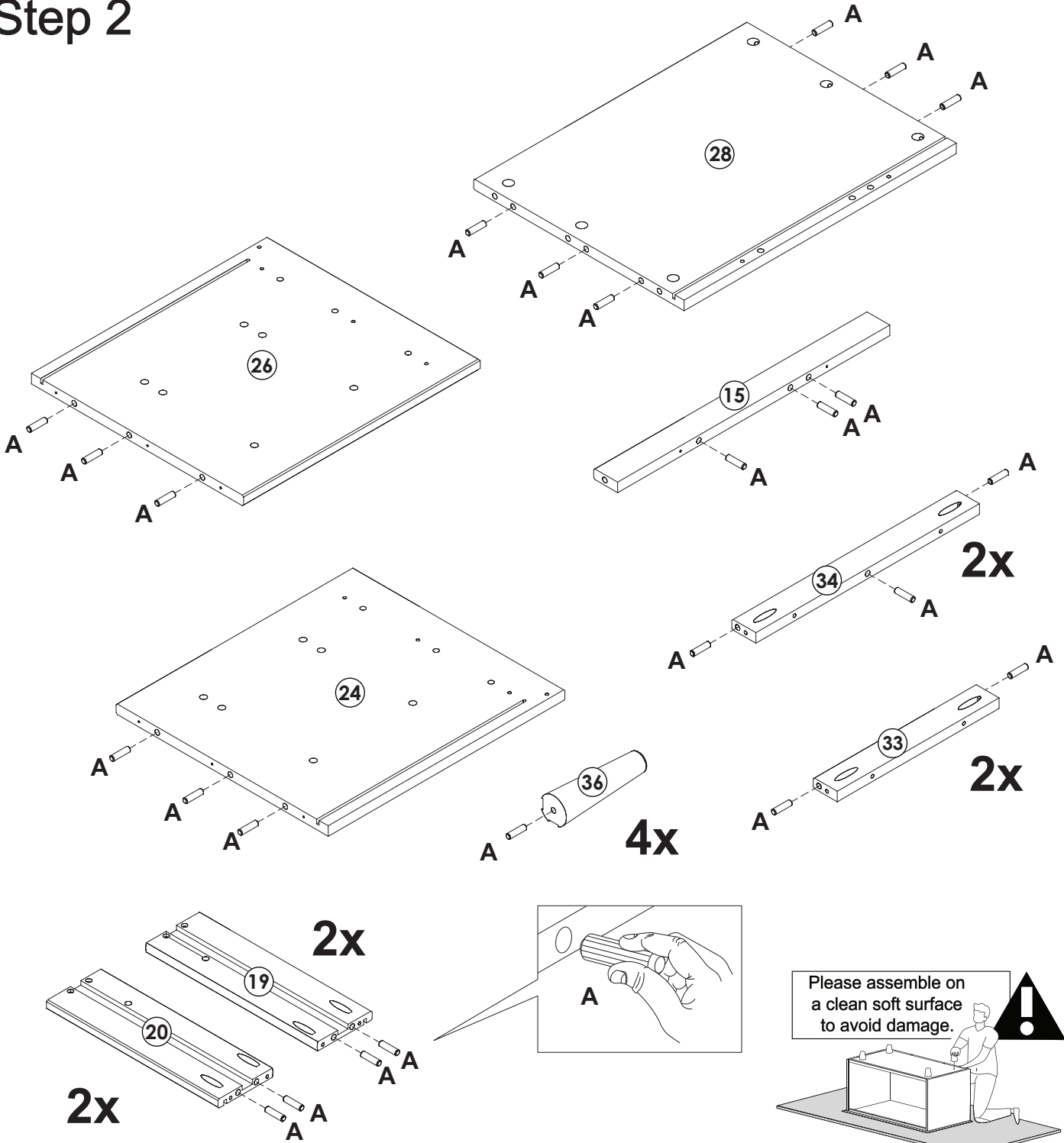
Attention to the
dowel size:
Ø10*20mm



Insert wood dowel (B)
into parts 17.



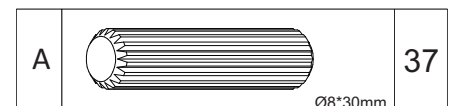
Step 2



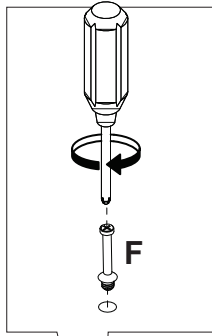
Please assemble on
a clean soft surface
to avoid damage.



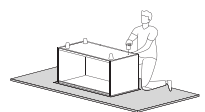
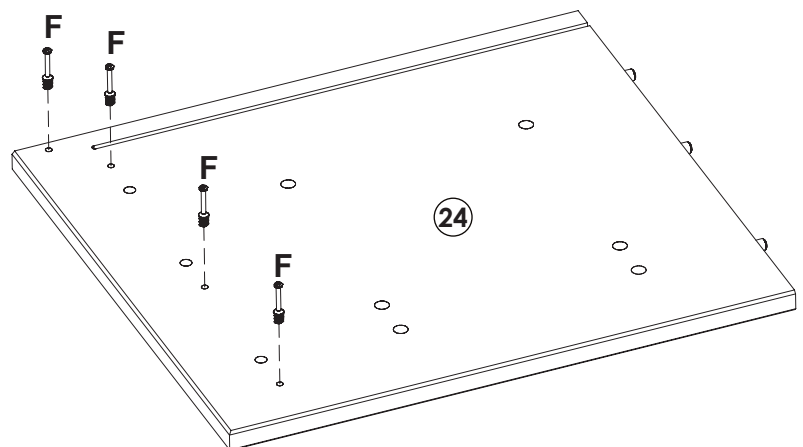
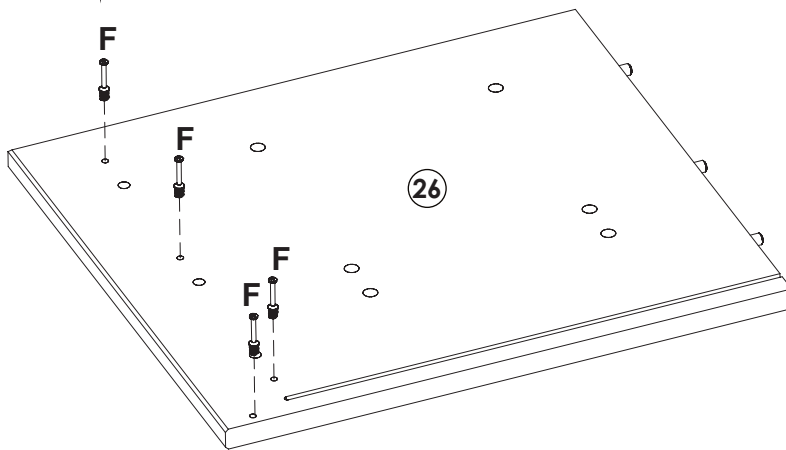
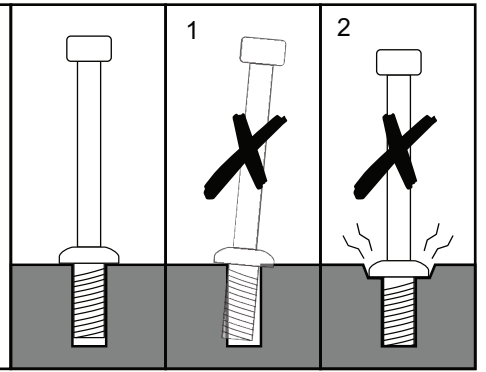
Insert wood dowel (A) into parts 15, 19, 20, 24, 26,
28, 33, 34 and 36.



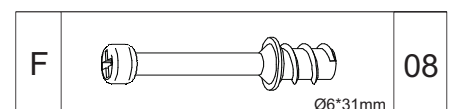
Step 3



1 - Ensure cam bolt is installed straight and not at an angle.
2 - Tighten cam bolt until shoulder on cam bolt is flush. Do not over-tighten.

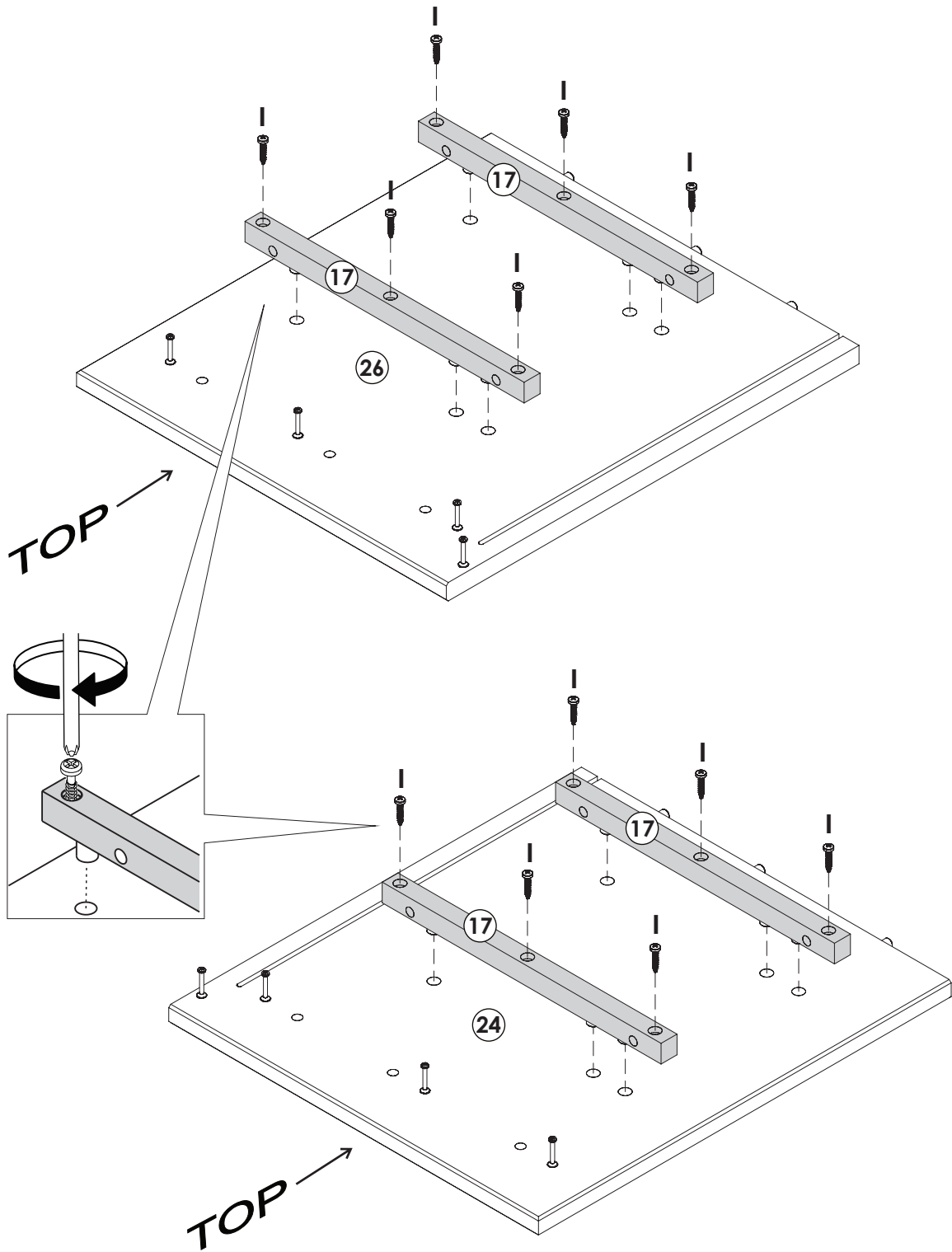



Attach cam bolt (F) into the holes in parts 24 and 26 with Phillips head screwdriver.



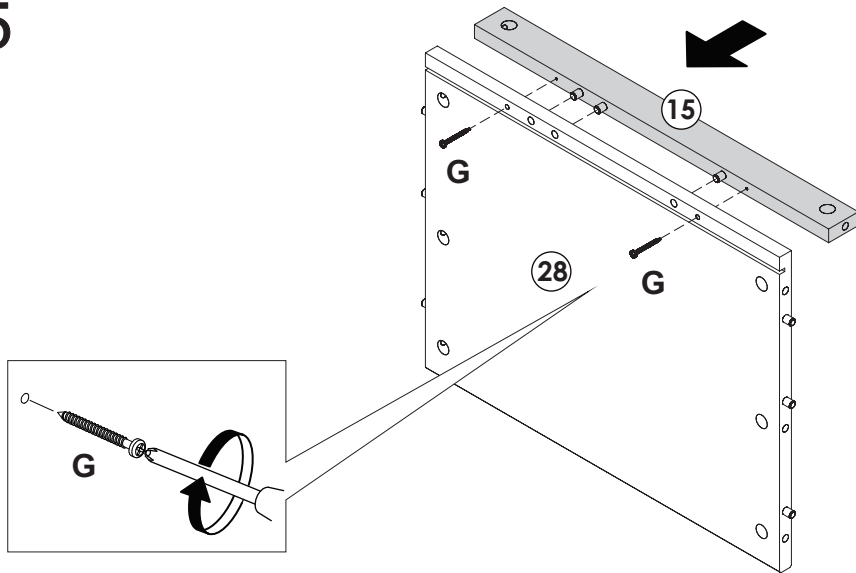
Step 4

Secure parts 17 to parts 24 and 26 with screw (I) and Phillips head screwdriver.

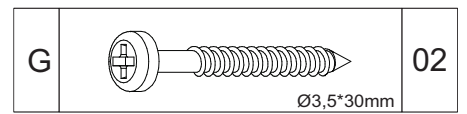


I		12
Ø4,0*25mm		

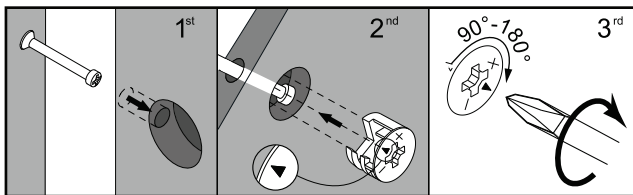
Step 5



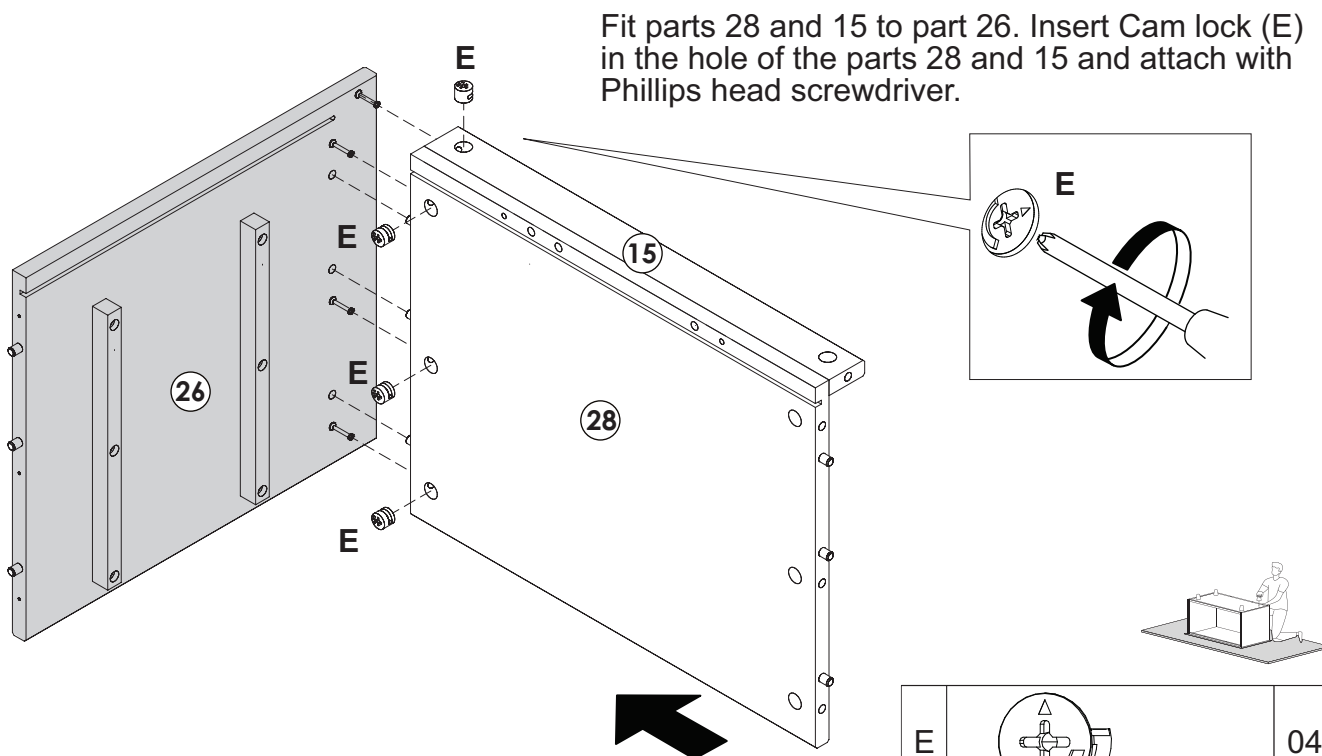
Secure part 28 to part 15 with screw (G) and Phillips head screwdriver.



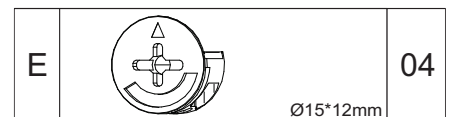
Step 6



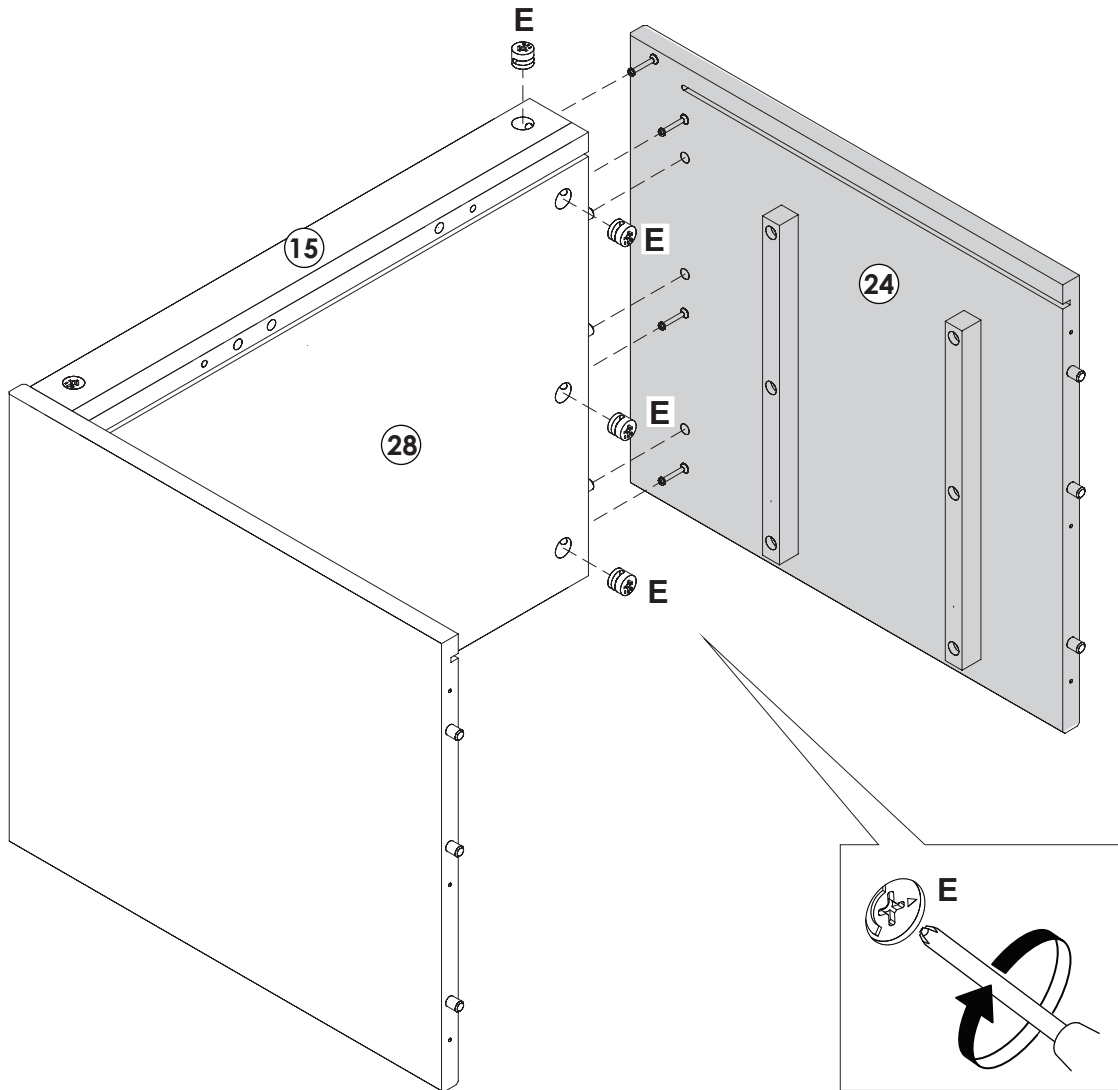
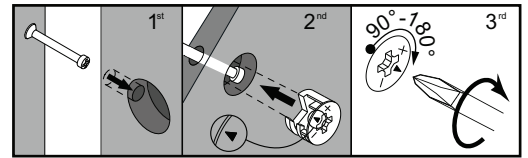
Align the opening in cam lock to the cam bolt and press into opening. Using a screwdriver, rotate the cam lock until it engages with the cam bolt and locks in place (anywhere between 90-180 degrees). Do not over-tighten the cam lock. Doing so may result in damaged or broken parts.



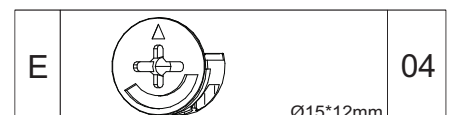
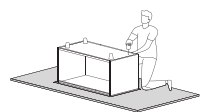
Fit parts 28 and 15 to part 26. Insert Cam lock (E) in the hole of the parts 28 and 15 and attach with Phillips head screwdriver.



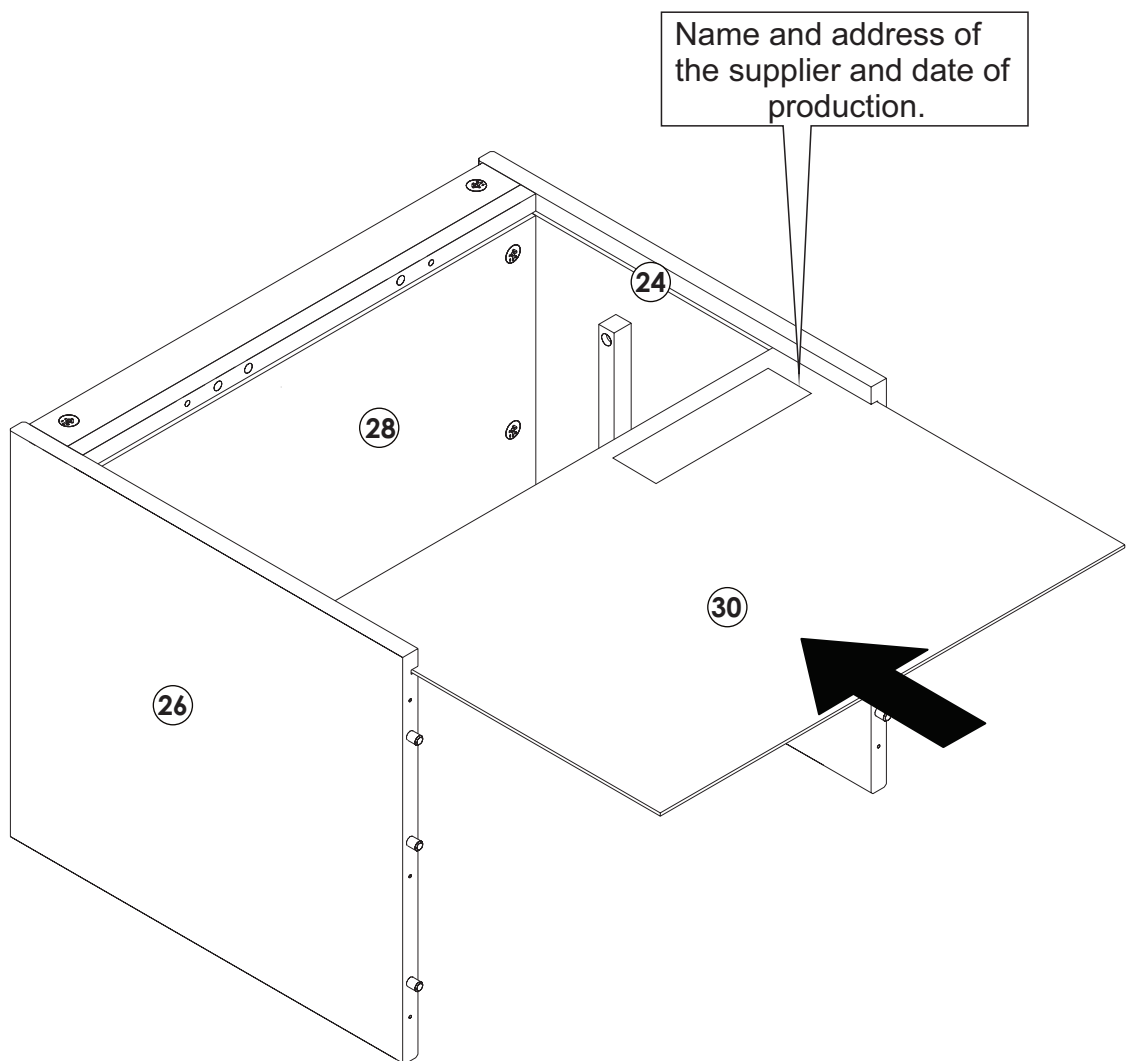
Step 7



Fit part 24 to parts 28 and 15.
Insert Cam lock (E) in the hole of the parts 28 and 15
and attach with Phillips head screwdriver.



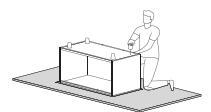
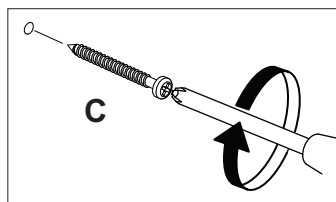
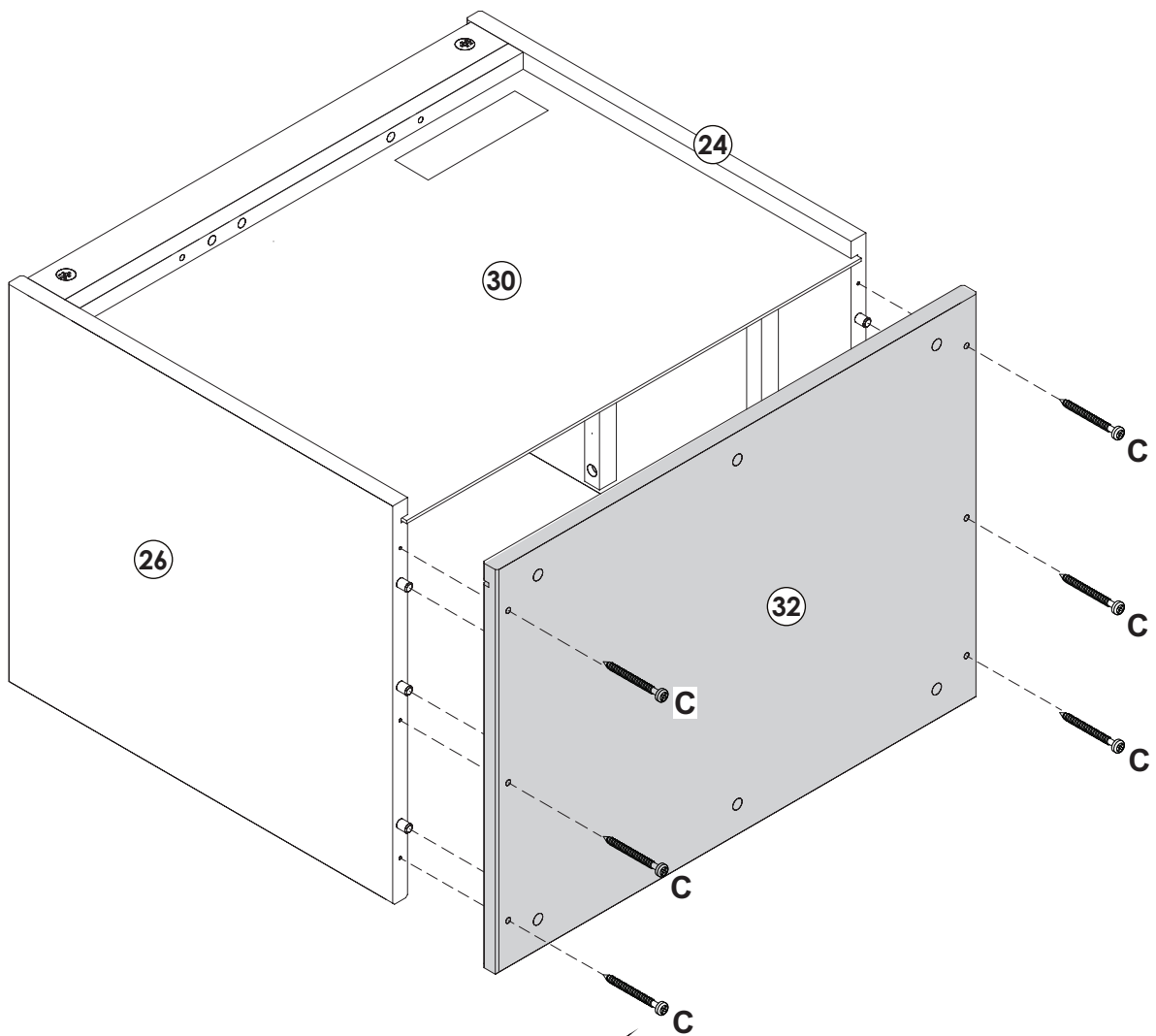
Step 8



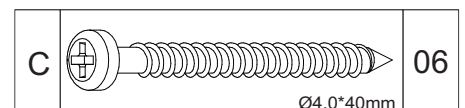
Insert part 30 into parts 24, 26 and 28.



Step 8

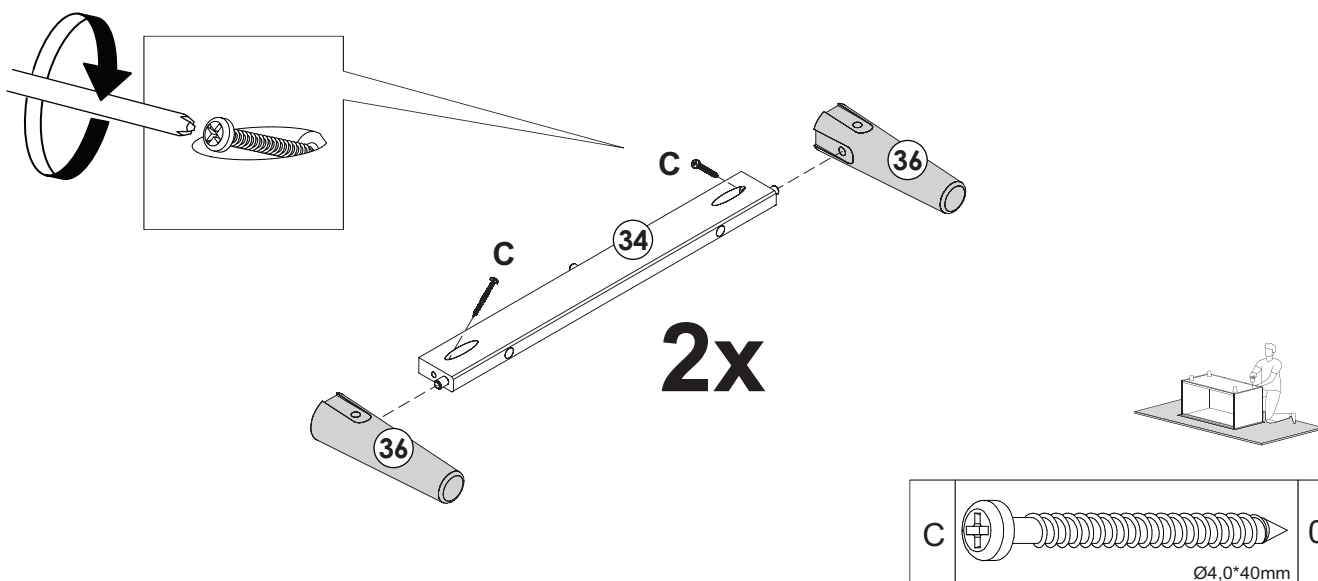


Secure part 32 to parts 24 and 26 with screw (C) and Phillips head screwdriver.

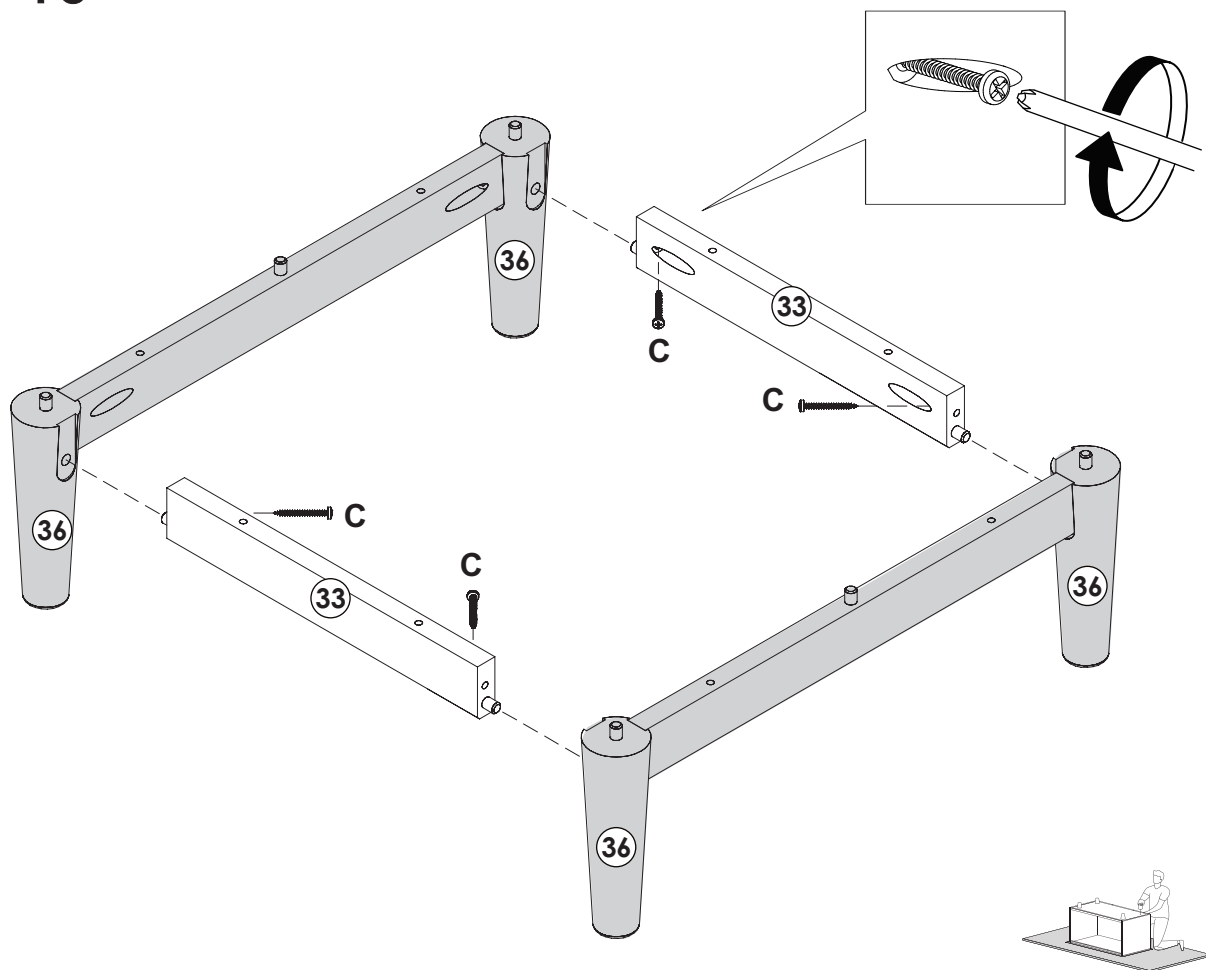


Step 9

Secure parts 34 to parts 36 with screw (C) and Phillips head screwdriver.

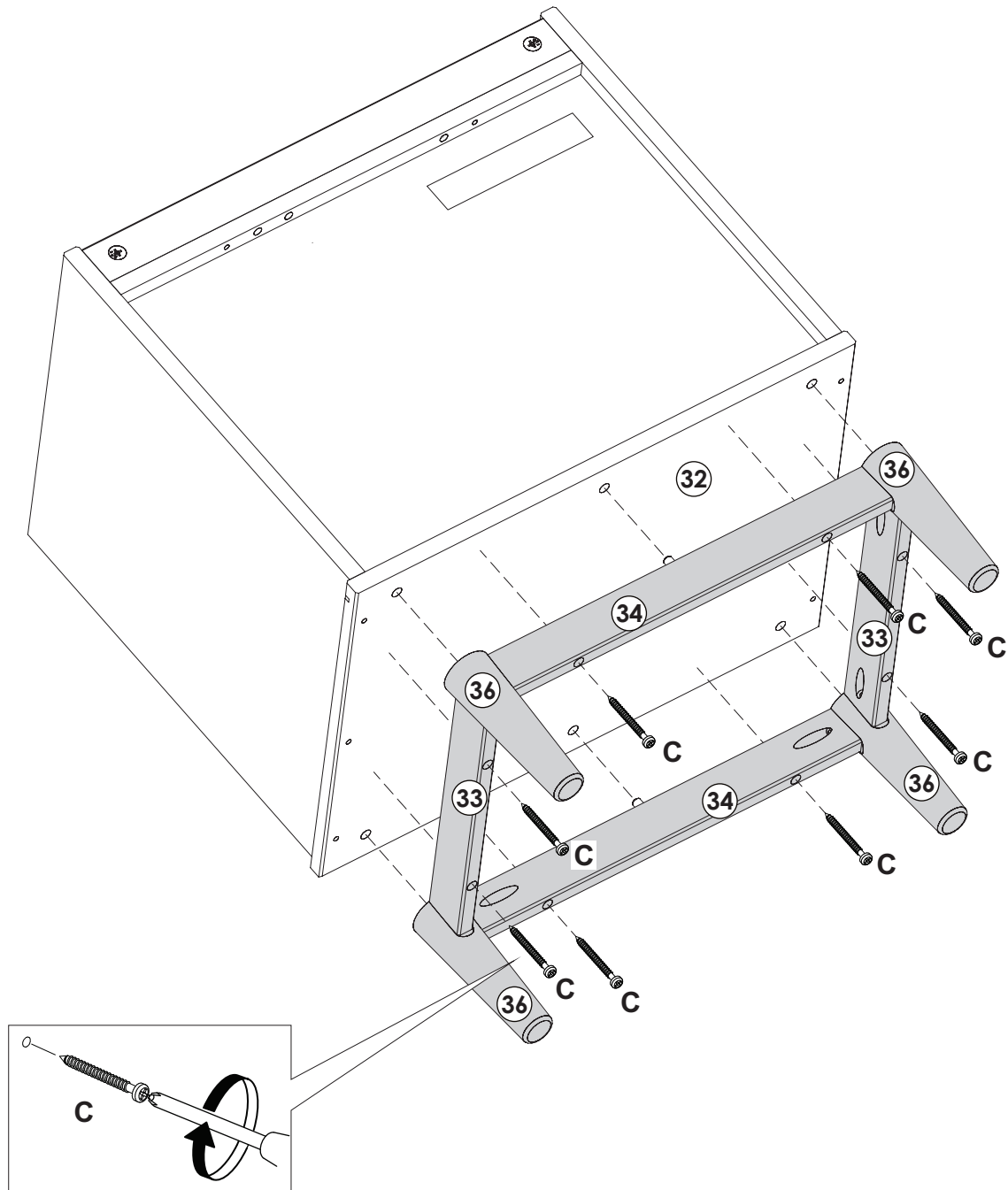


Step 10



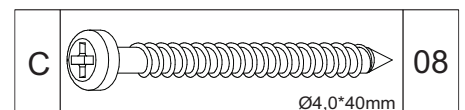
Secure parts 33 to parts 36 with screw (C) and Phillips head screwdriver.

Step 11



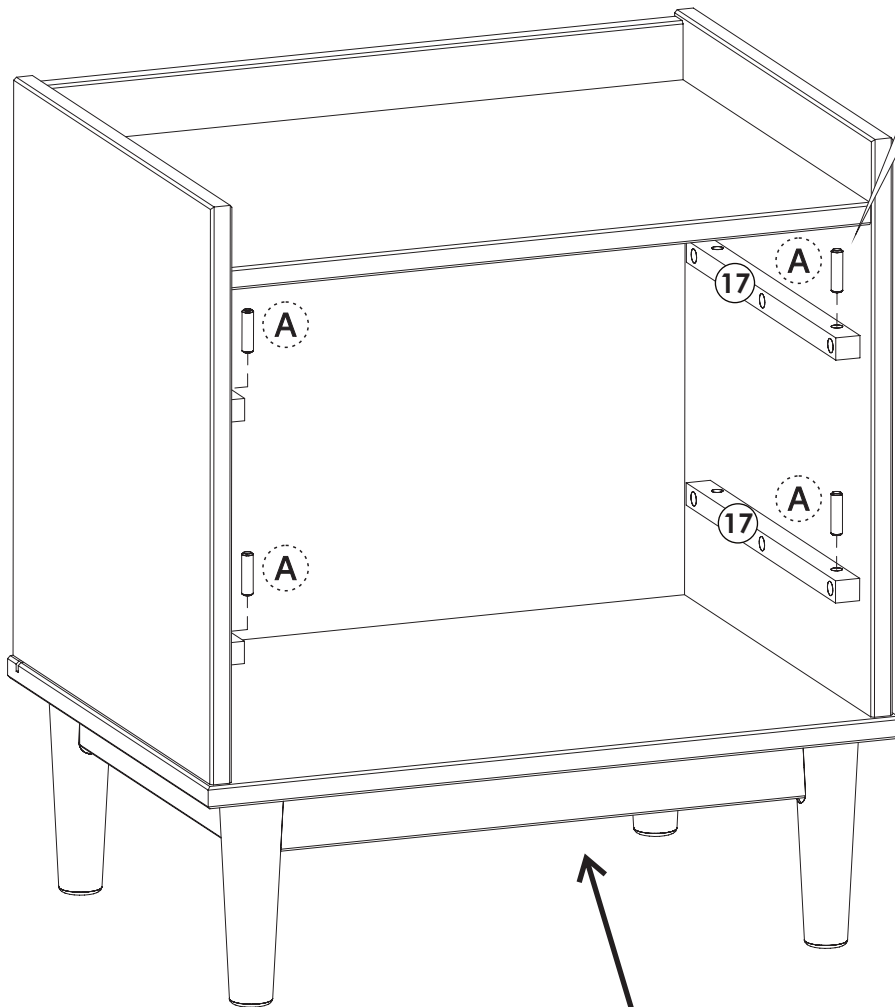
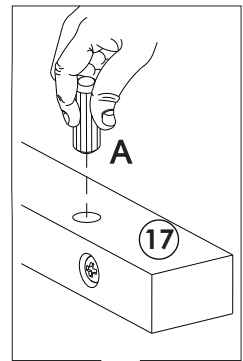
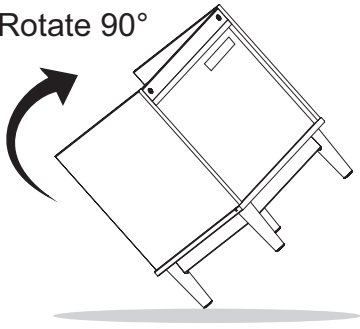
Fit parts 34 and 36 to part 32.

Secure parts 33 and 34 to part 32 with screw (C) and Phillips head screwdriver.



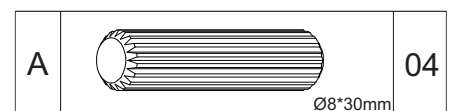
Step 12

Rotate 90°

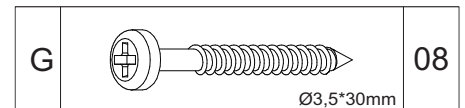
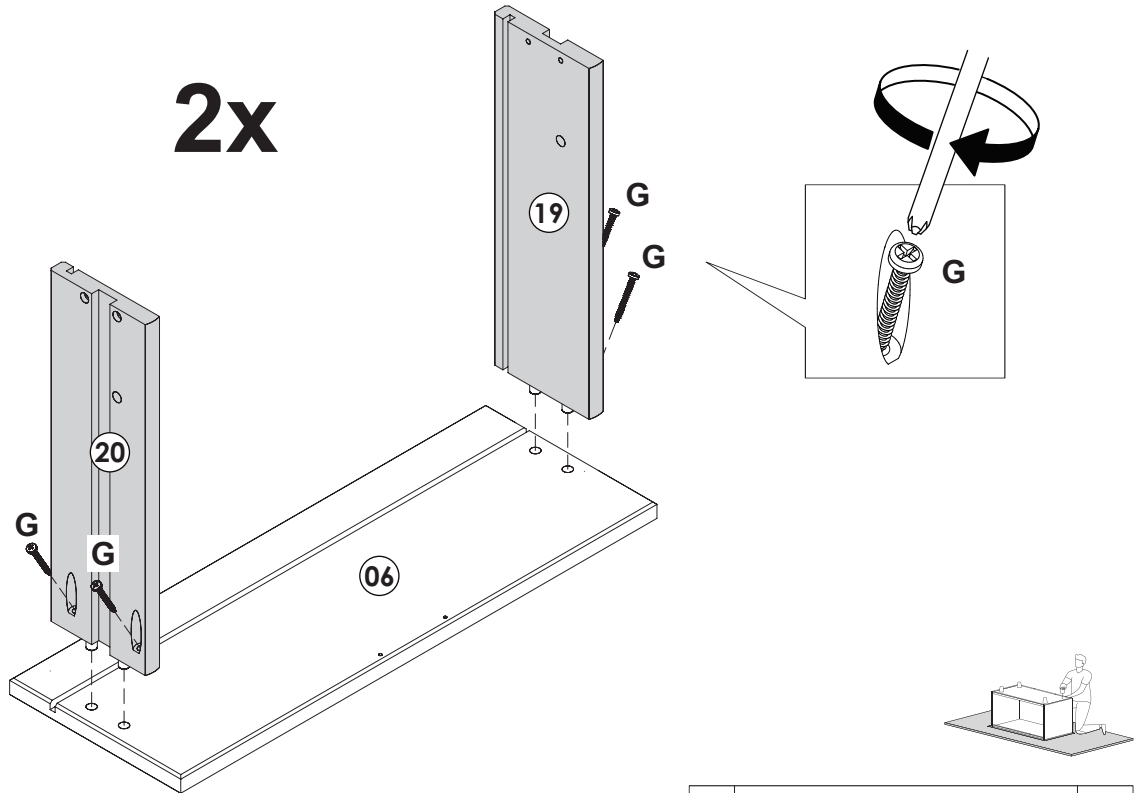


FRONT

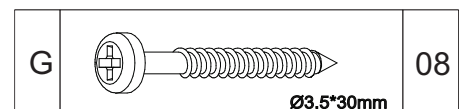
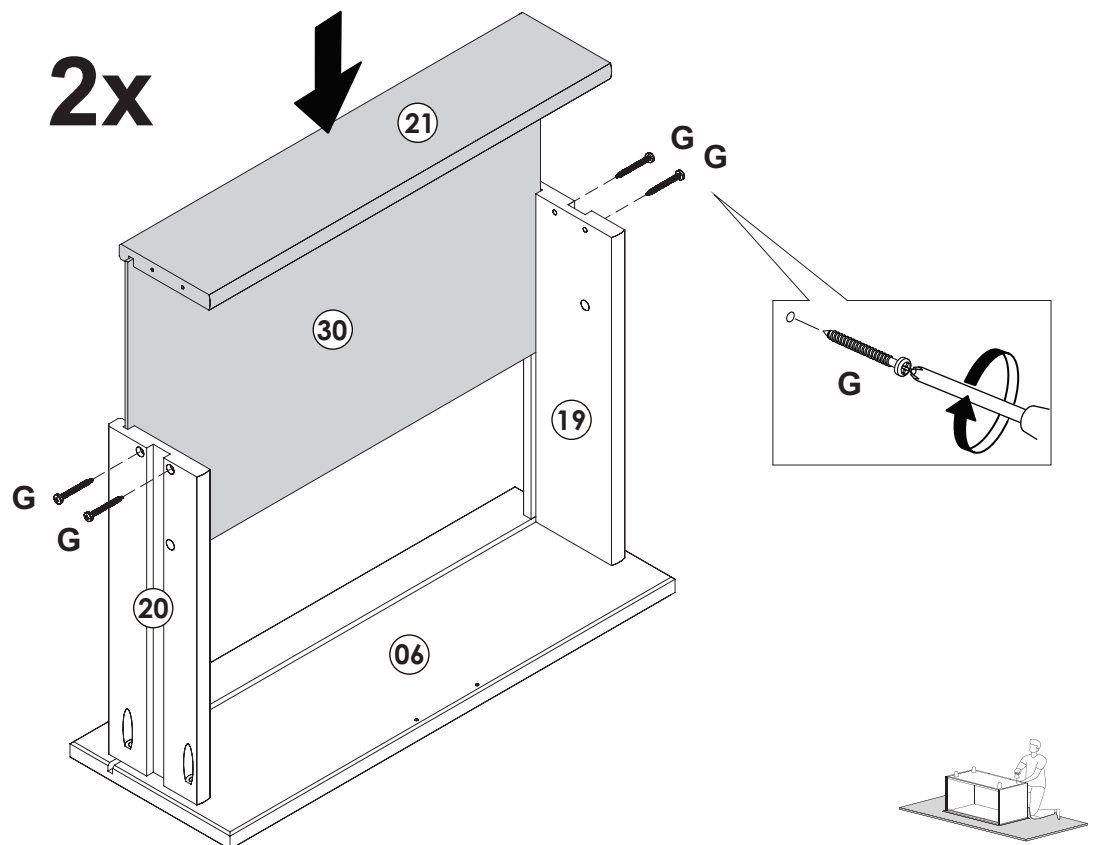
Insert wood dowel (A) into the front hole in the wood slider 17.



Step 13

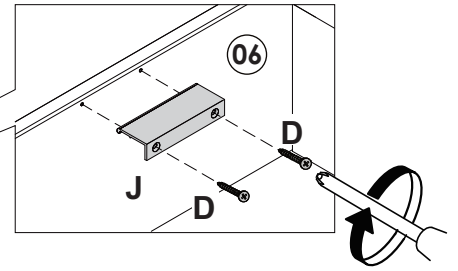
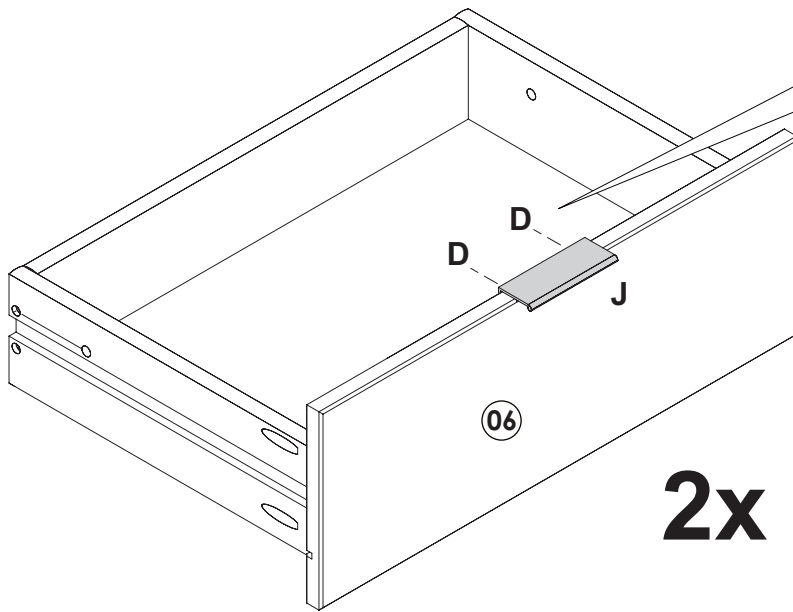


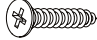
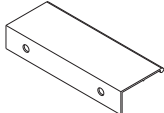
Step 14



Step 15

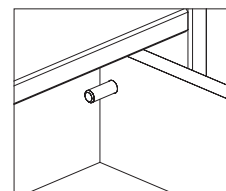
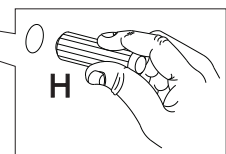
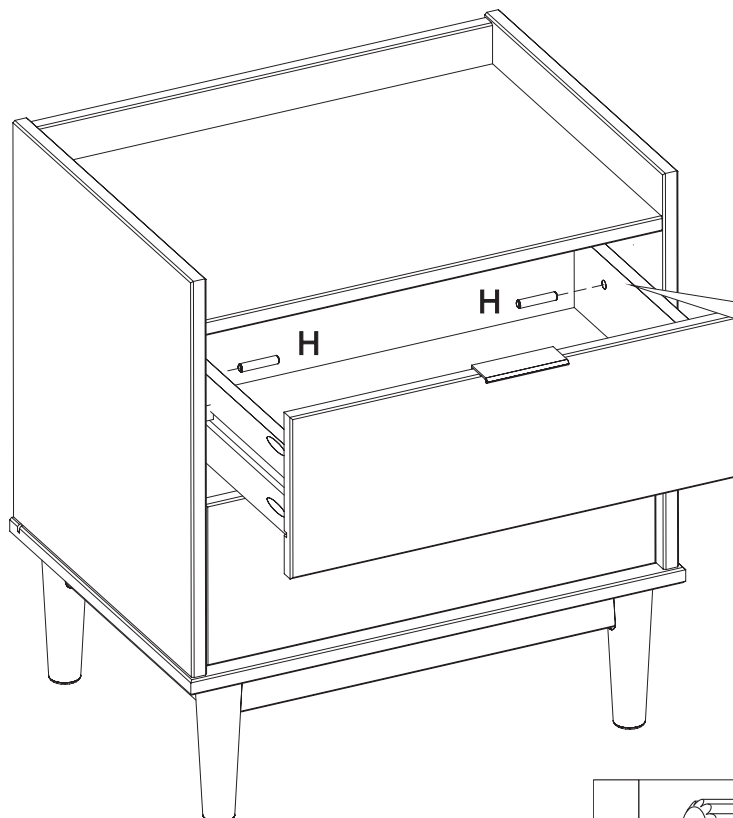
Attach Handle (J) with screw (D) and Phillips head screwdriver.

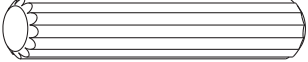


D		04 ø3,0*12m
J		02

Step 16

Insert wood dowel (H) on the inside of all drawers, with the drawer inside the unit after having passed the wood dowel that is in the drawer slide. The dowel is not flush with the panel, it is a little inside the drawer to help when you need to remove the lock dowel to remove the drawer.



H		04 Ø8*50mm
---	---	---------------

Step 17

Assembly Complete!

