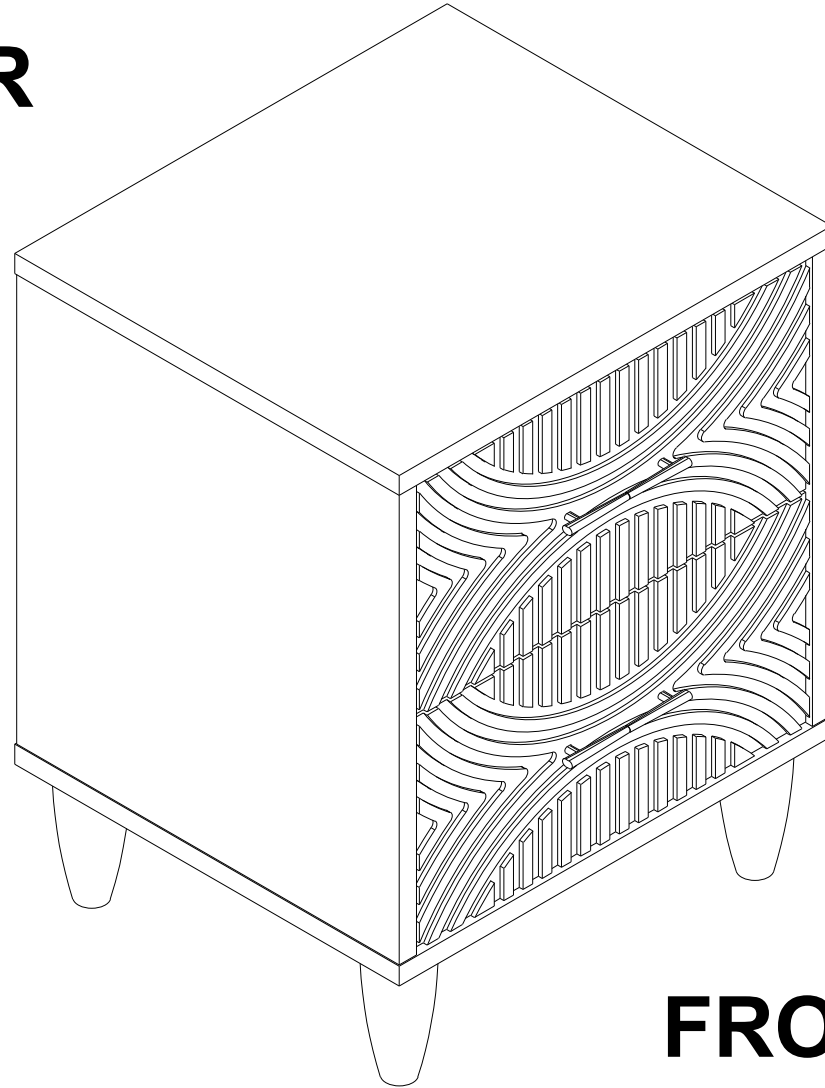


# ASSEMBLY INSTRUCTION

## SW 8000-63NS2D

**REAR**



**FRONT**



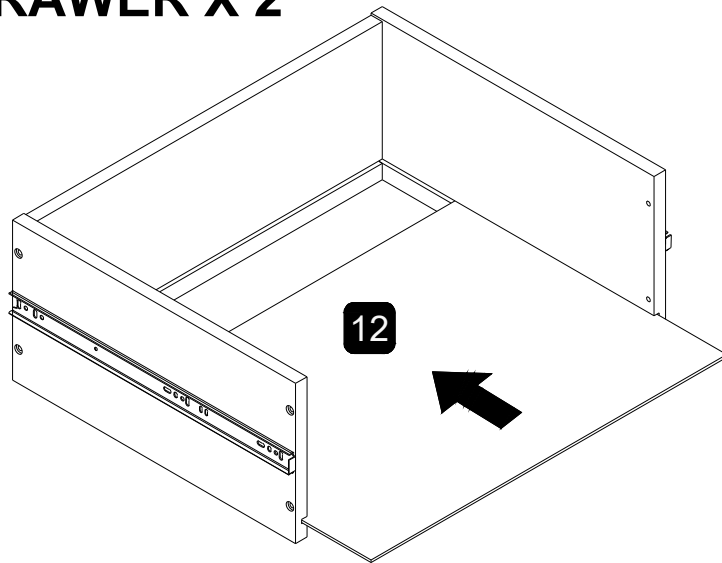






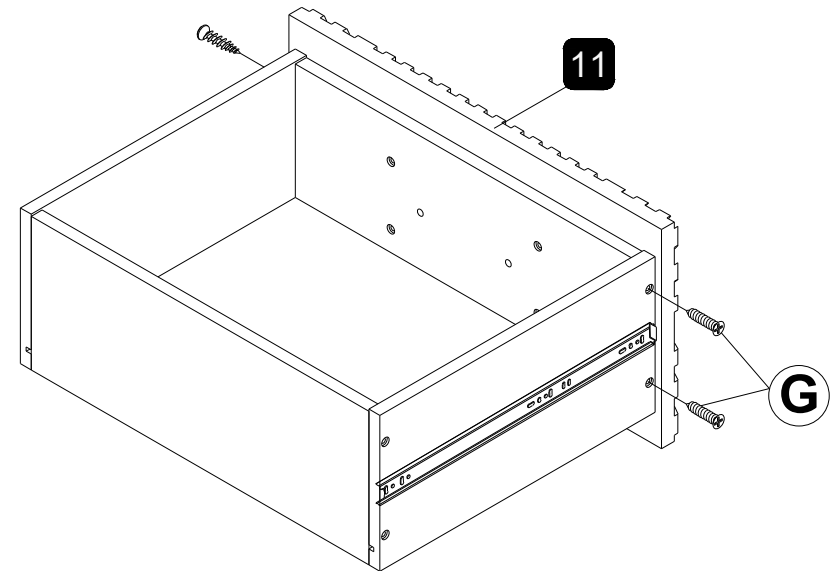
# STEP 7

**DRAWER X 2**



# STEP 8

**DRAWER X 2**

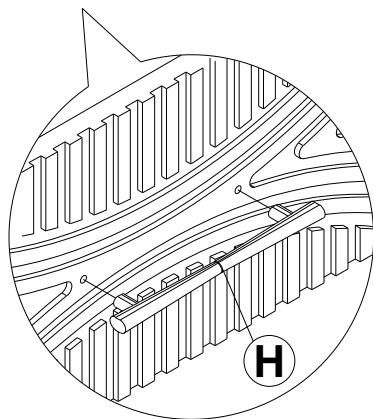
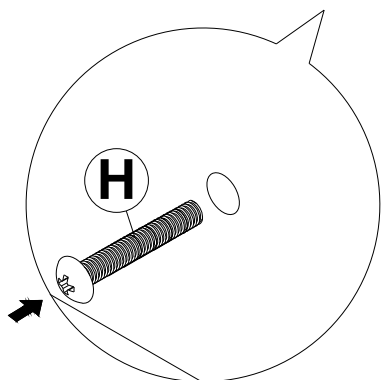
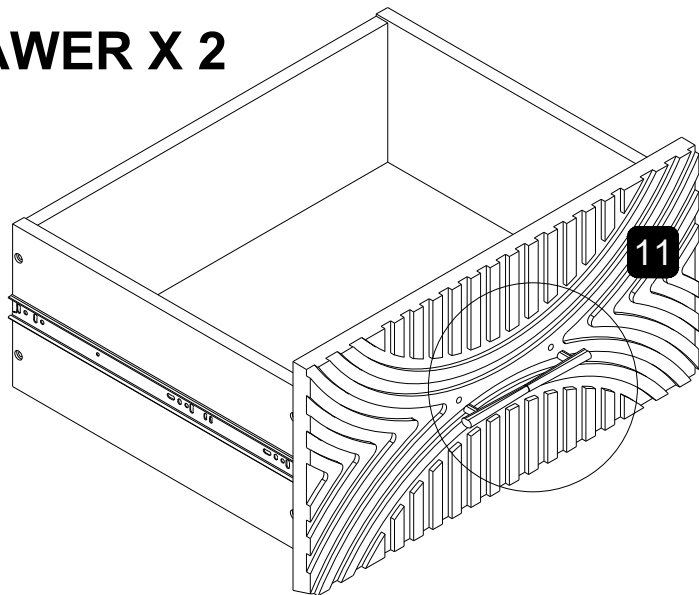


**G X 8pcs**

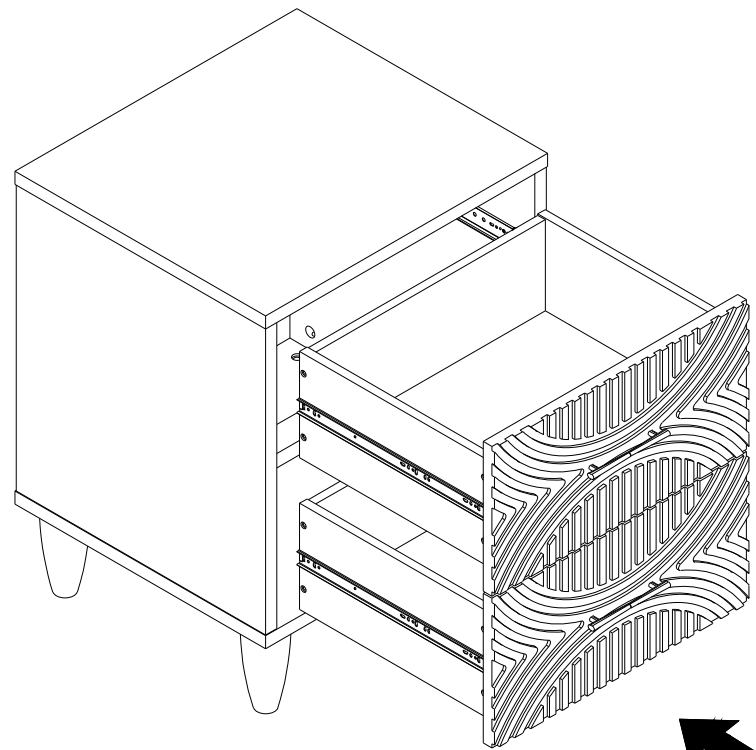


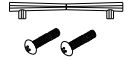
# STEP 9

**DRAWER X 2**



# STEP 10



  
H X 2set



# ASSEMBLY COMPLETE

