

## ASSEMBLY INSTRUCTIONS

**MODEL : B118-43**

**REVISION : C**

**ASSEMBLY TIPS :**

1. Remove hardware from box and sort by size.
2. Please check to see that all hardware and parts are present prior to start of assembly.
3. Please follow attached instructions in the same sequence as numbered to assure fast and easy assembly.




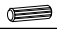




**IMPORTANT NOTE :**

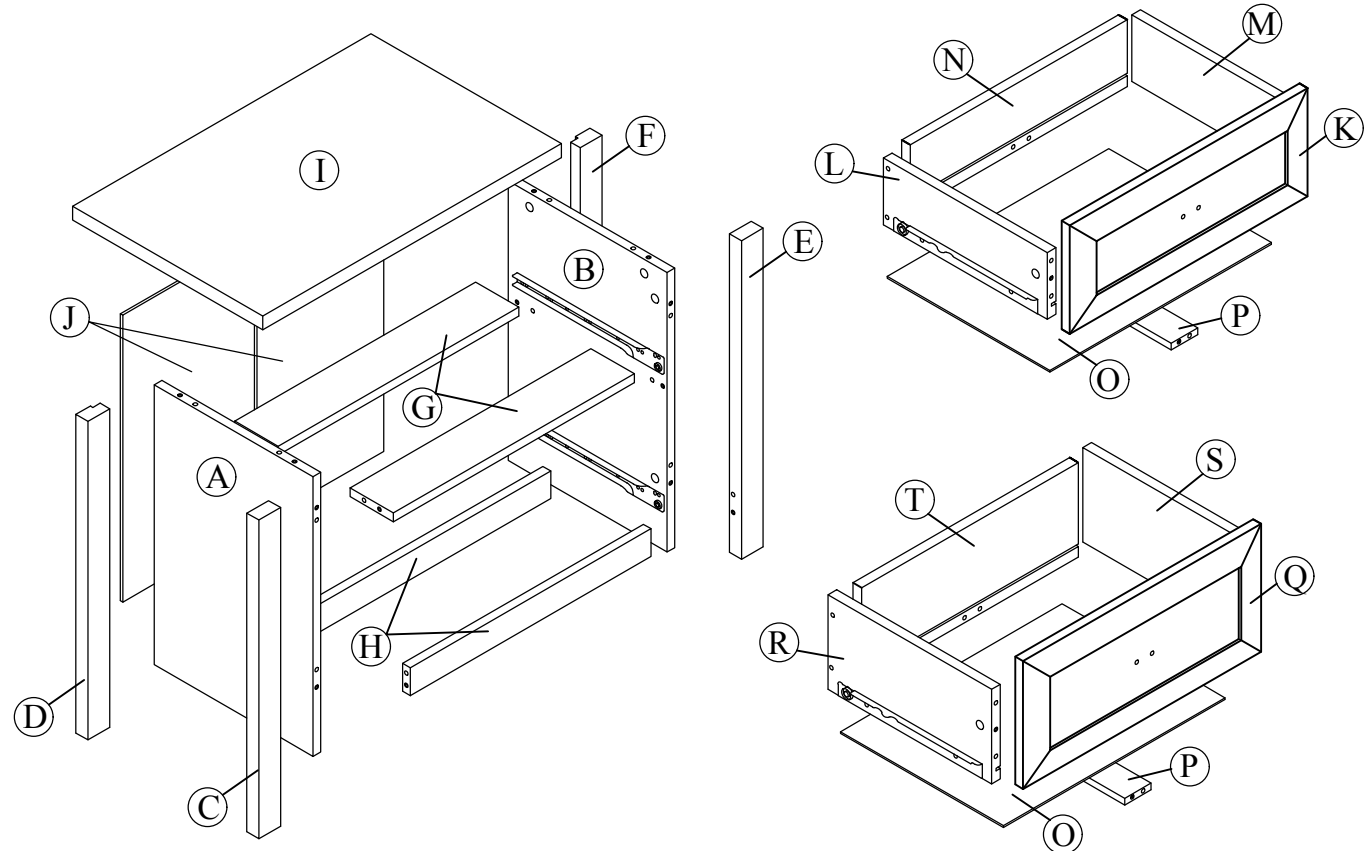
- Place all wooden parts on a clean and smooth surface such as a rug or carpet to avoid the parts from being scratched.
- Check to be sure that you have all parts and hardware.
- Remove all wrapping materials, including staples & packing straps before you start to assemble.
- Do not tighten all screws/bolts until all completely assembled.
- Keep all hardware parts out of reach of children !
- Tighten screws periodically ! With the use of this product bolts and screws may become loose over time !
- Don't attempt to modify parts !

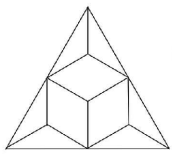
**Component List**

No	Descriptions	Qty
A	Side Panel (Left)	1
B	Side Panel (Right)	1
C	Left Leg (Front)	1
D	Left Leg (Back)	1
E	Right Leg (Front)	1
F	Right Leg (Back)	1
G	Top Horizontal	2
H	Apron Panel	2
I	Top Panel	1
J	Back Panel	1
K	Top Drawer Front	1
L	Top Drawer Side (Left)	1
M	Top Drawer Side (Right)	1
N	Top Drawer Back	1
O	Drawer Bottom Shelf	2
P	Drawer Bottom support	2
Q	Bottom Drawer Front	1
R	Bottom Drawer Side (Left)	1
S	Bottom Drawer Side (Right)	1
T	Bottom Drawer Back	1

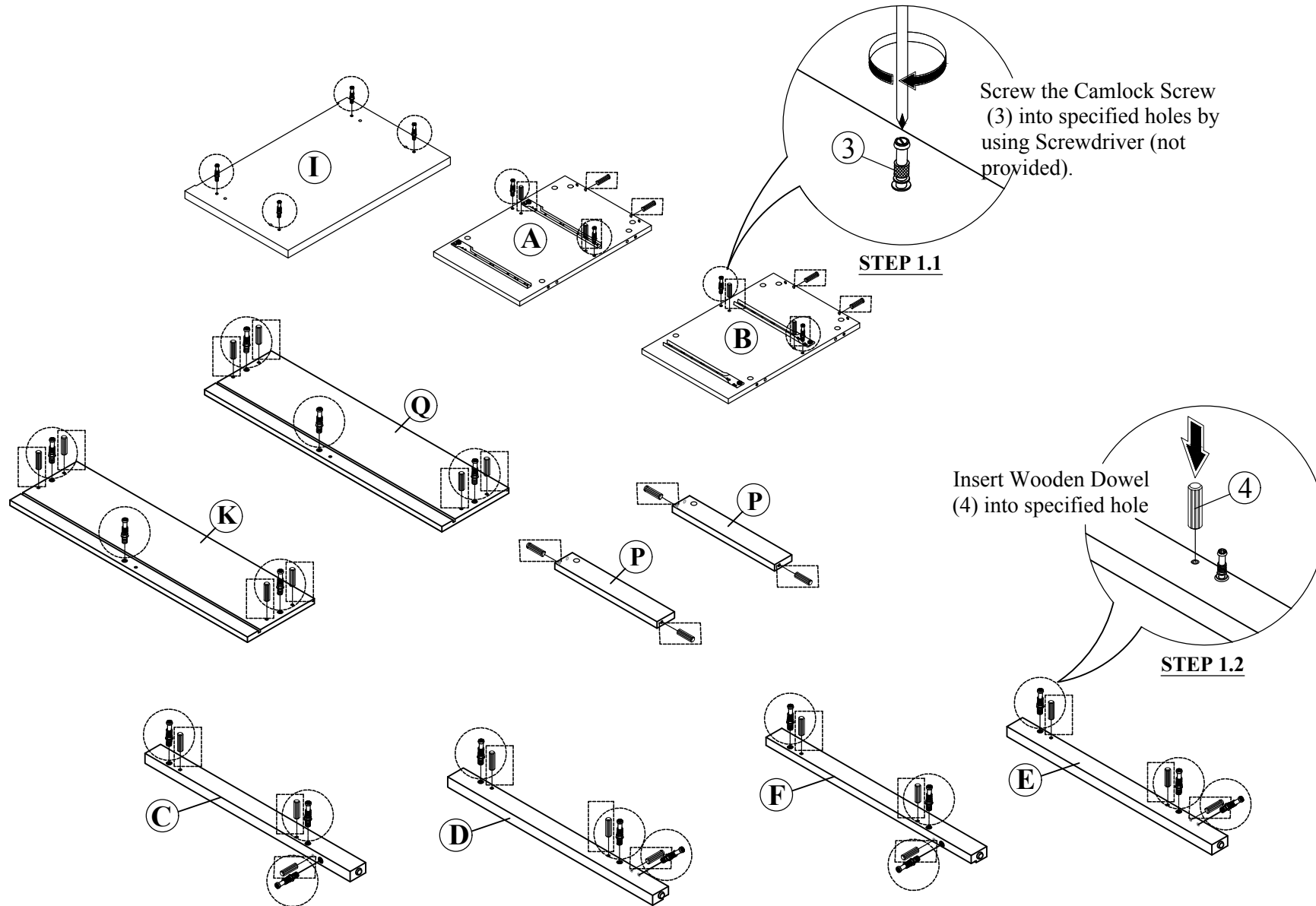
**Hardware List**

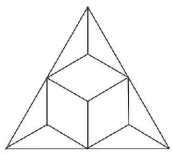
No	Descriptions	Qty
1	Big Camlock Ø15 x 12mm 	20
2	Small Camlock Ø12 x 10mm 	6
3	Camlock Screw 	26
4	Wooden Dowel 6mm x 30mm 	32
5	PHCB Screw M4 x 16mm 	14
6	PHCB Screw M4 x 32mm 	10
7	Truss Head Screw M4 x 15mm 	4
8	Handle 	2





## ASSEMBLY INSTRUCTIONS





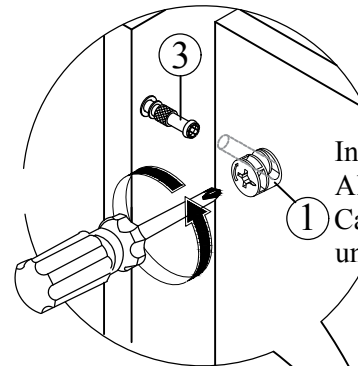
**GEOHOME®**

ART WITH AN ATTITUDE

## ASSEMBLY INSTRUCTIONS

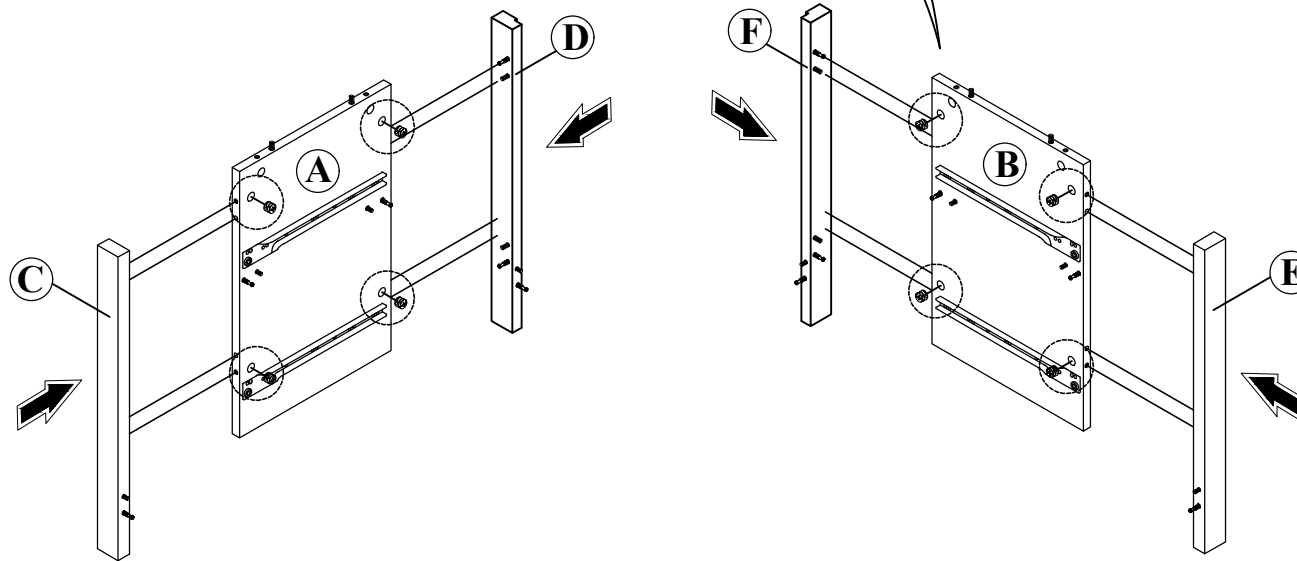
Item No : B118-43

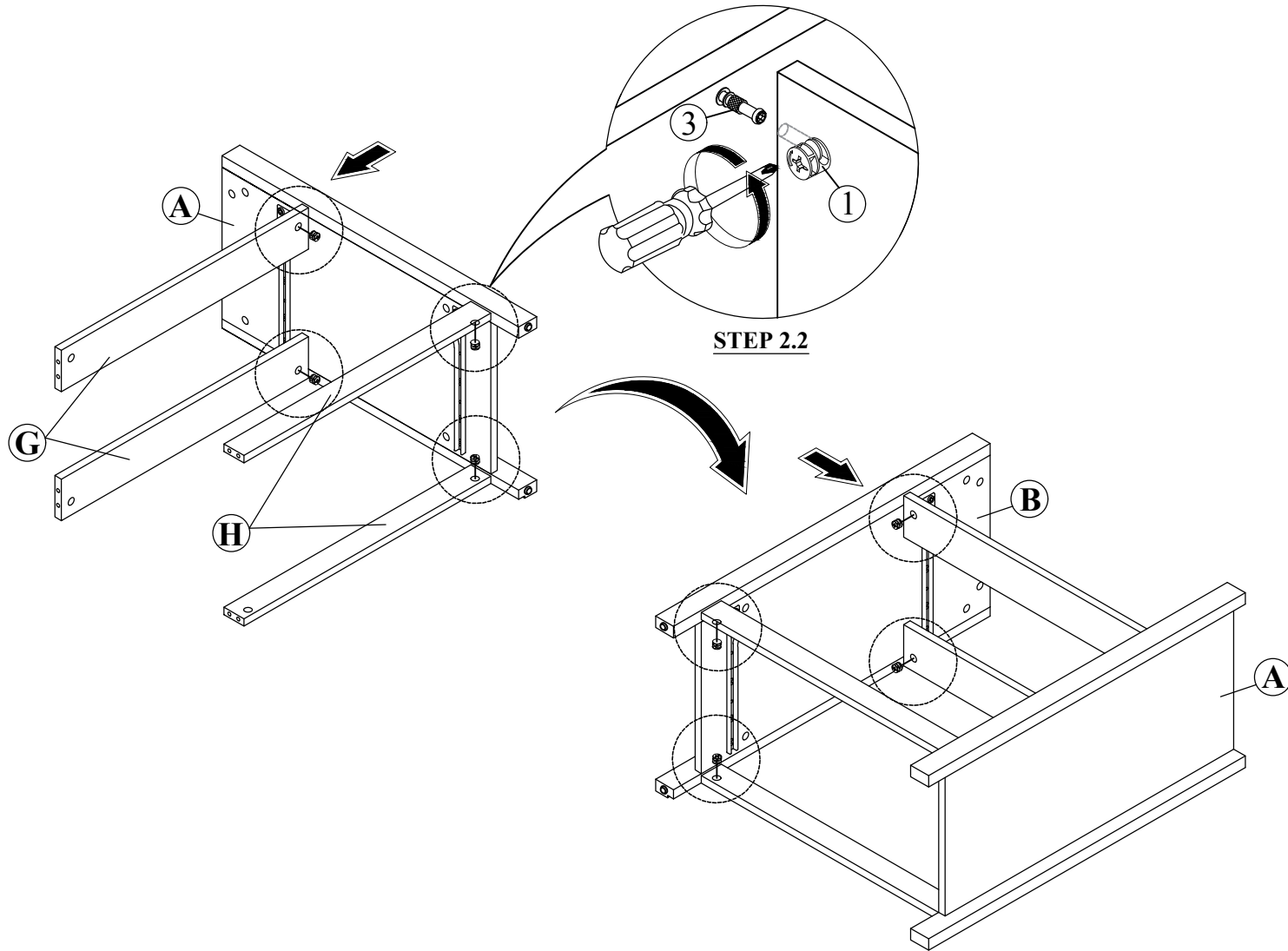
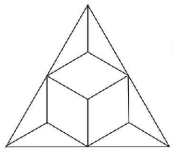
Description : NIGHT STAND

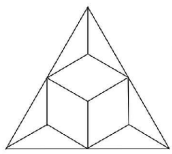


Insert Camlock Screw (3) into the bolt hole of joint panel.  
Align Big Camlock (1) with its side opening pointing to  
Camlock Screw (3). Turn the Big Camlock (1) clockwise  
until it will not turn any more.

### STEP 2.1







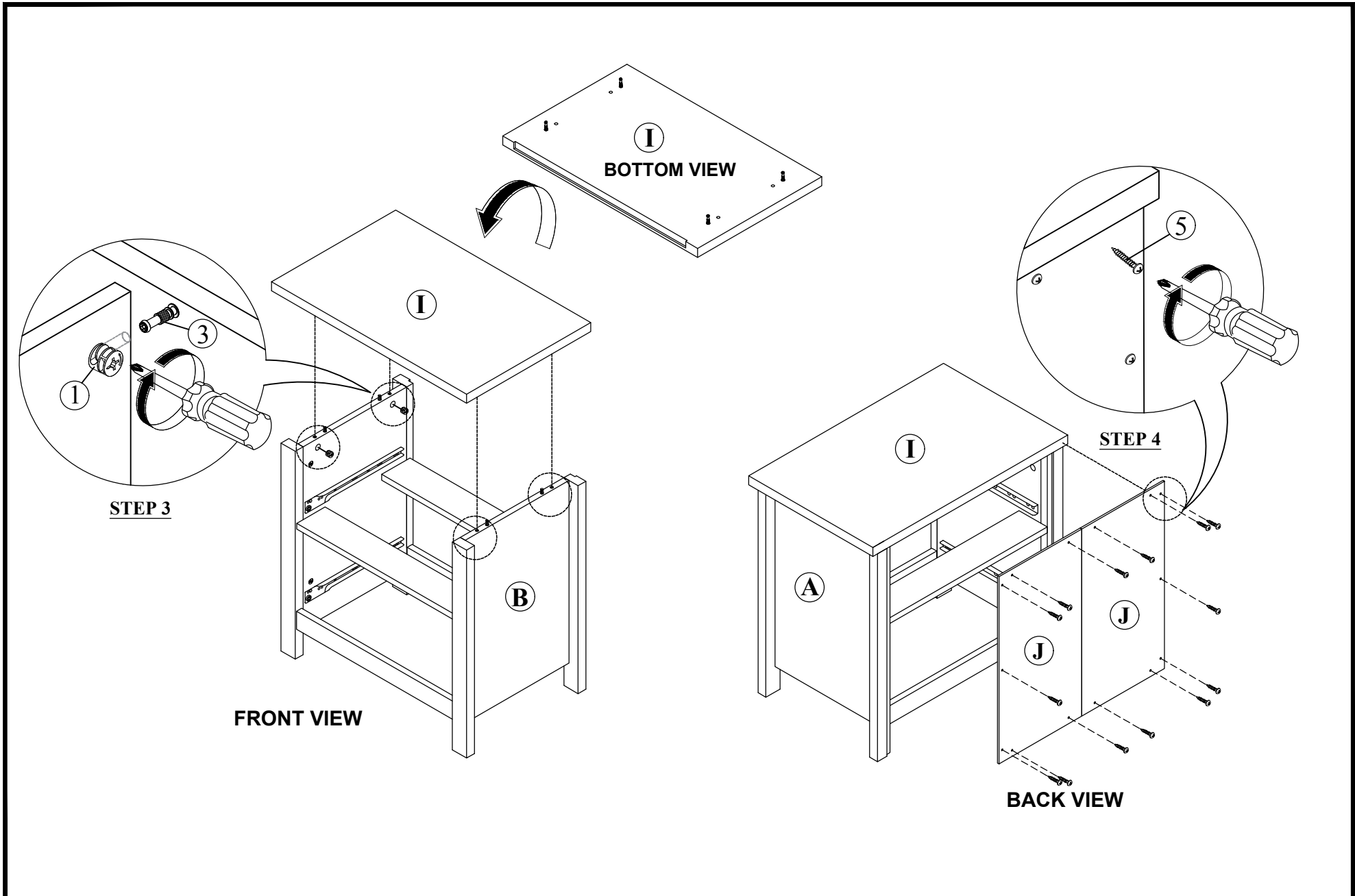
**GEOHOME®**

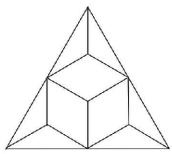
ART WITH AN ATTITUDE

# ASSEMBLY INSTRUCTIONS

Item No : B118-43

Description : NIGHT STAND





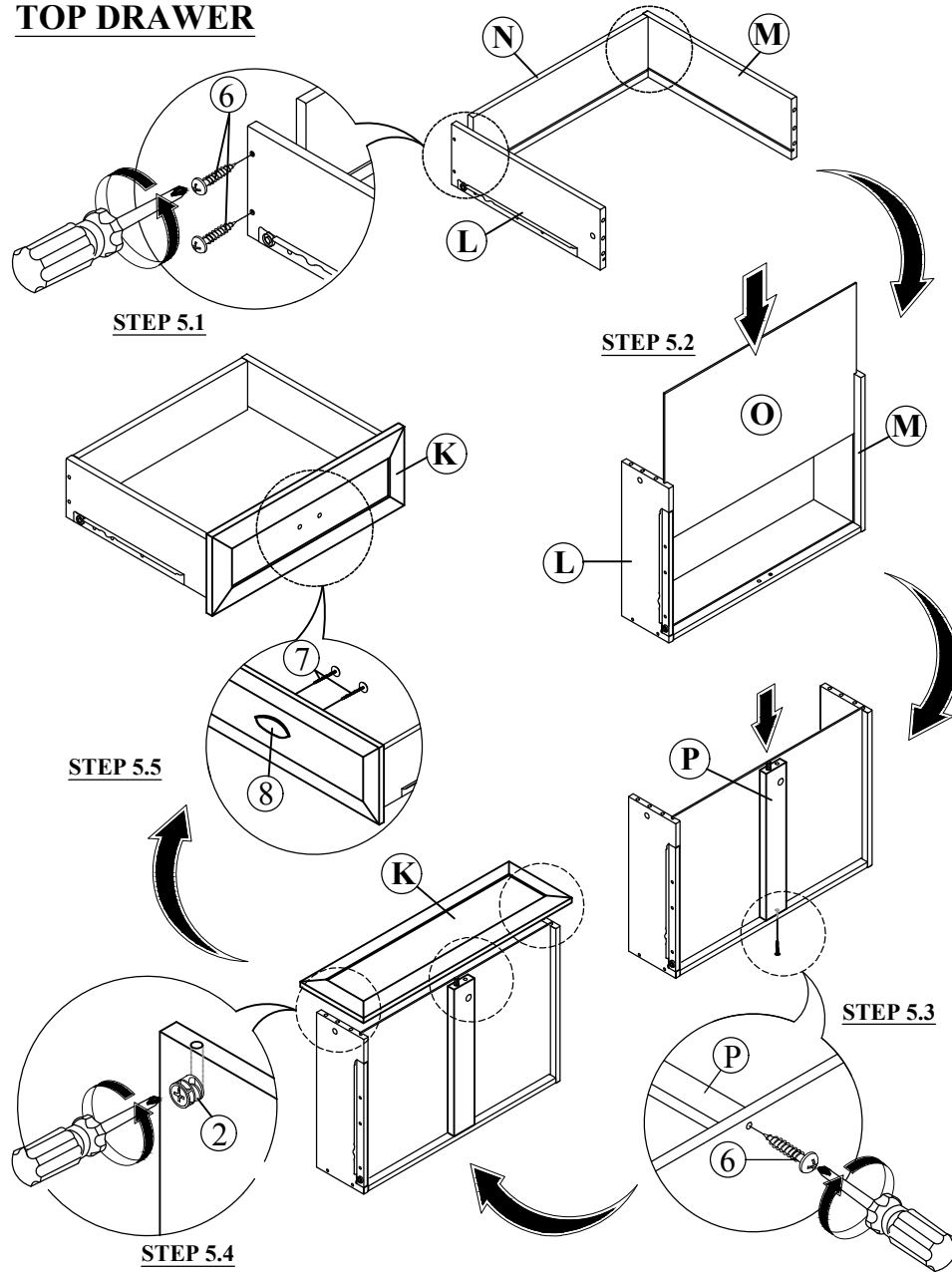
**GEOHOME®**

ART WITH AN ATTITUDE

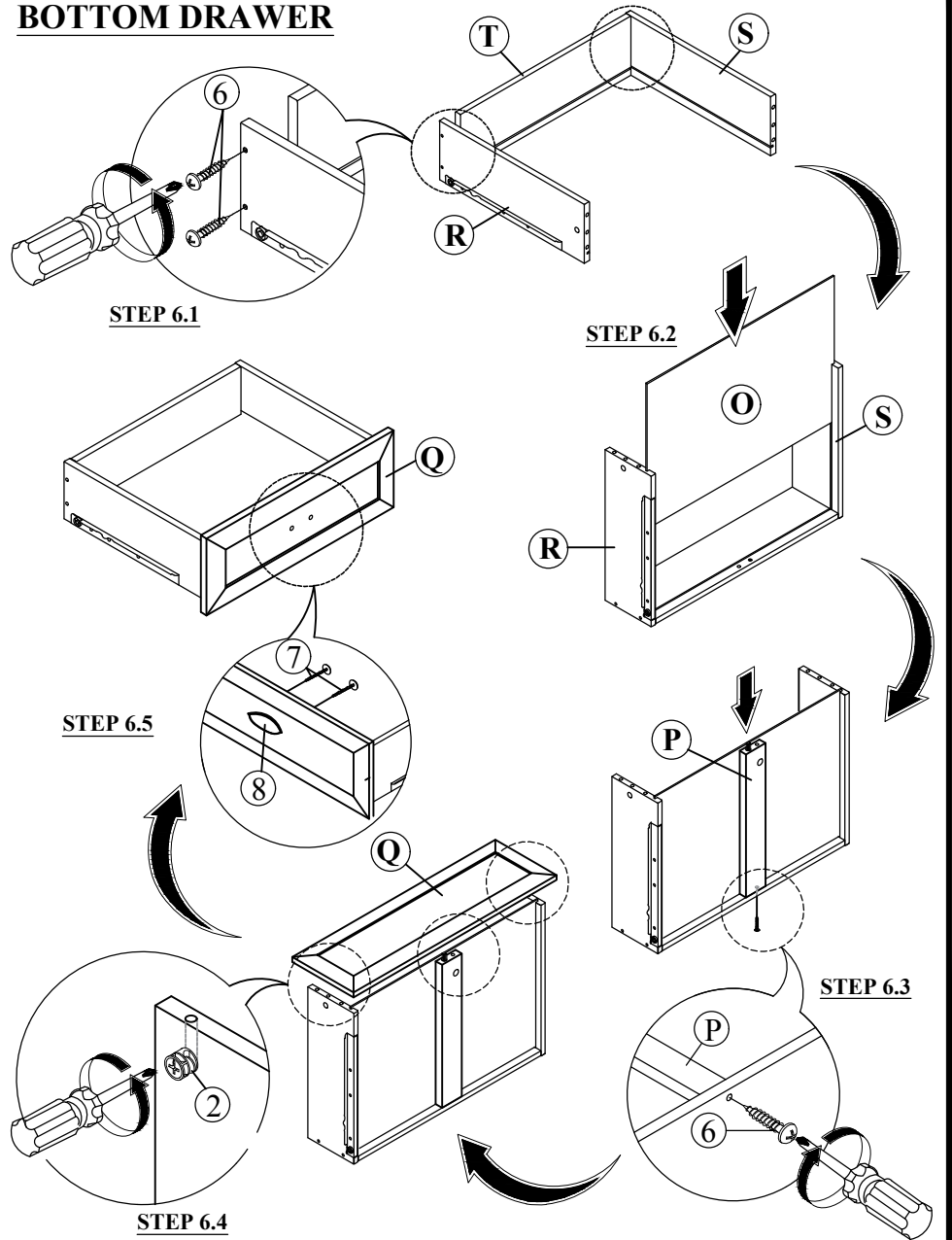
# ASSEMBLY INSTRUCTIONS

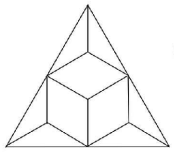
Item No : B118-43  
Description : NIGHT STAND

## TOP DRAWER



## BOTTOM DRAWER





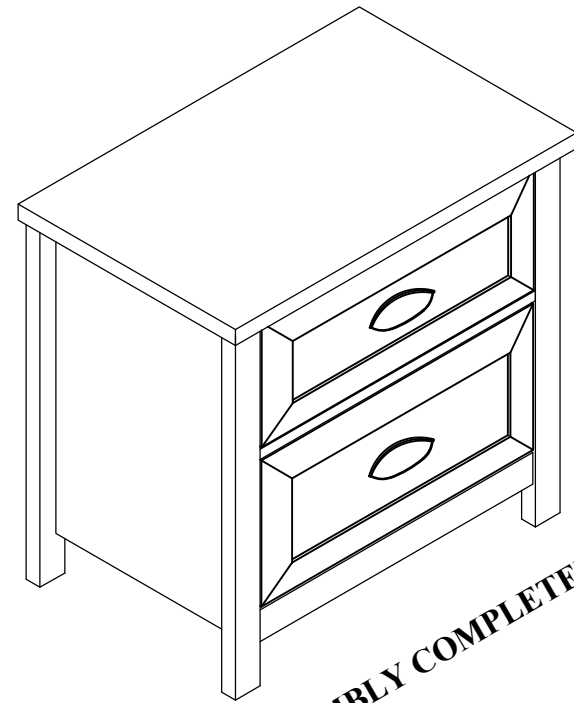
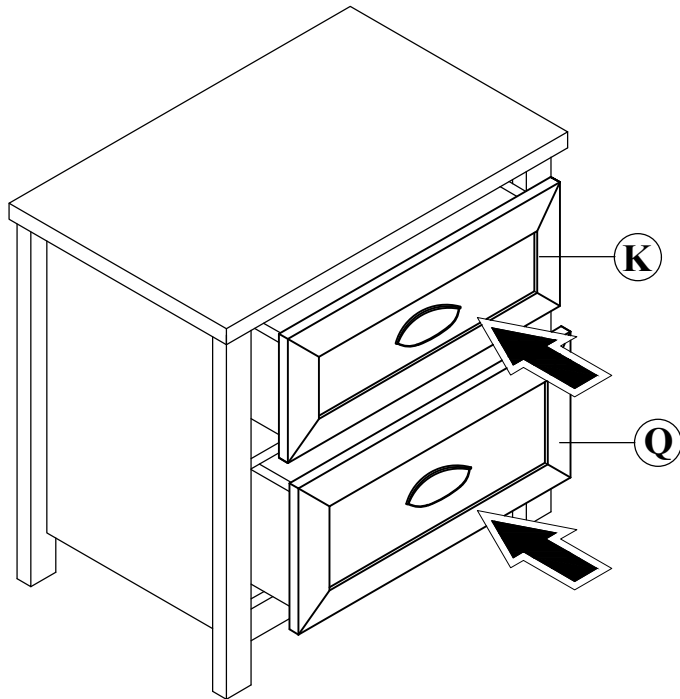
**GEOHOME®**

*ART WITH AN ATTITUDE*

## ASSEMBLY INSTRUCTIONS

Item No : B118-43

Description : NIGHT STAND



**ASSEMBLY COMPLETED!**