



ASSEMBLY INSTRUCTIONS

ITEM NO.: I201- 41
NIGHT STAND W/LED

Thank you for purchasing this quality product. Place all wooden parts on a clean and smooth surface such as a rug or carpet to avoid the parts from being scratched. Be sure to check all packing materials carefully for small parts may have come loose inside the carton during shipment, clarify and count all parts and compare with the parts list below. Do not tighten all screws / bolts until all completely assembled.

Parts List		
No.	Description	Q.ty
1	Top Panel	1 PC
2	Upper Top Panel	1 PC
3	Left Panel	1 PC
4	Right Panel	1 PC
5	Upper Left Panel	1 PC
6	Upper Right Panel	1 PC
7	Upper Back Panel	1 PC
8	Drawer Face	2 PCS
9	Upper Front Panel	1 PC
10	Drawer Left Panel	2 PCS
11	Drawer Back	2 PCS
12	Upper Front Rail	1 PC
13	Upper Left Rail	1 PC
14	Upper Right Rail	1 PC
15	Drawer Right Panel	2 PCS
16	Bottom Front Rail	1 PC
17	Bottom Back Rail	1 PC
18	Support Rail	1 PC

Hardware List				
No.	Description	Sketch	Size	Q.ty
A	Panel Clips			4pcs
B	Cam Bolt		M6 x 40mm	35pcs
C	Cam Lock		D15 x T11mm	35pcs
D	Wood Dowel		M8 x 40mm	14 Pcs
E	Screw		M3.5 x 35mm	16pcs
F	Screw		M3.5 x 14mm	36pcs
G	Adjustable Mounted			1pc
H	Hinges			2pcs
I	Push Opener			2pcs
J	PVC Nail Leg			4pcs
K1	Rail		250mm	4pcs
K2	Rail		250mm	4pcs
L	LED with Controller			1Set

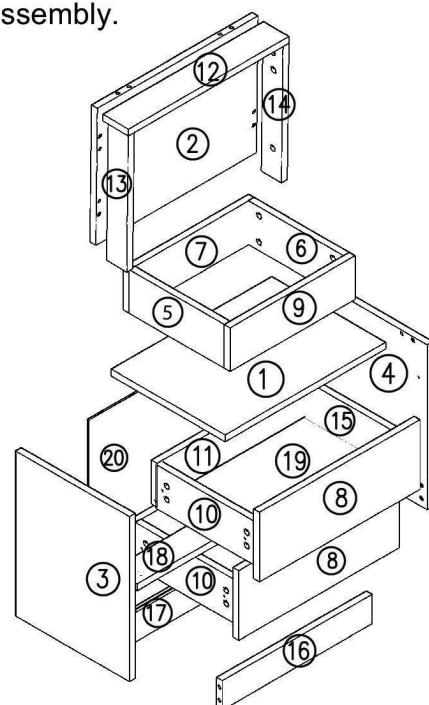
No.	Description	Q.ty
19	Drawer Bottom Panel	1 PC
20	Back Panel	1 PC

NOTE : YOU WILL ALSO NEED A SCREWDRIVER (NOT PROVIDED)

These parts are cumbersome and heavy. Therefore, two people are recommended in order to prevent personal injury and insure the parts are not damaged during the assembly.

△ Important Notes

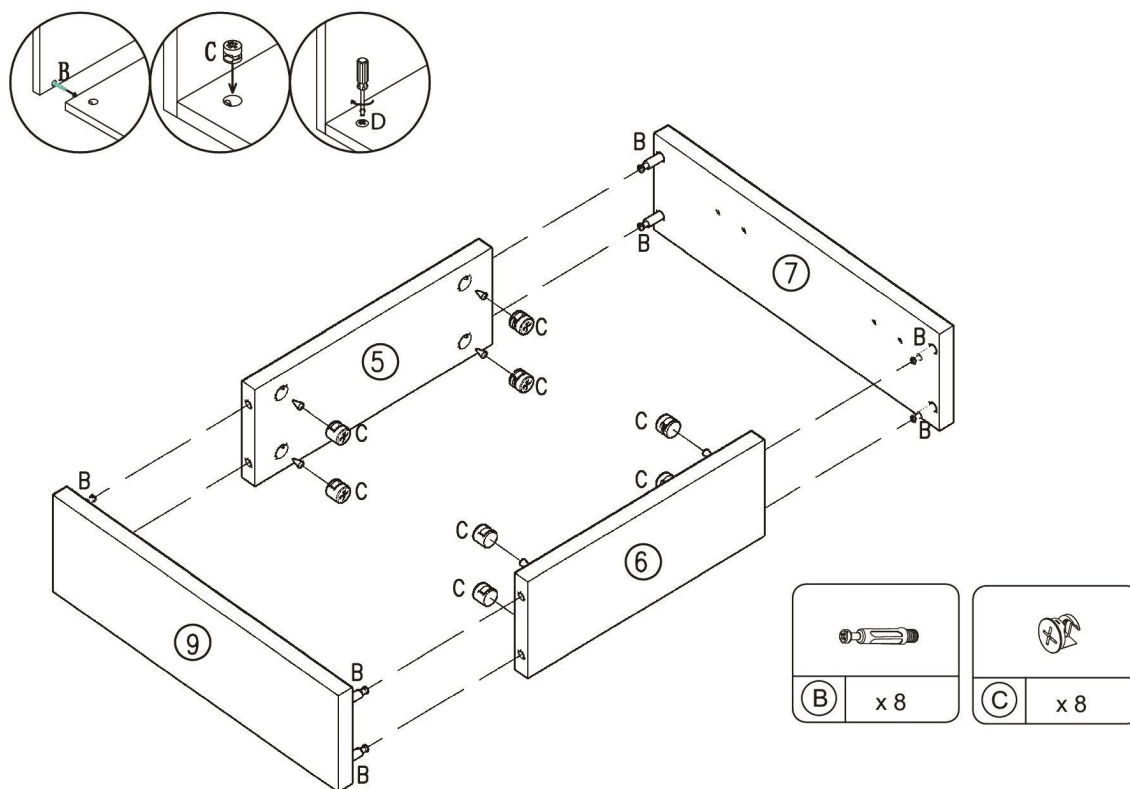
- *Keep all hardware parts out of reach of children!
- *Tighten screws periodically! With the use of this product bolts and screws may become loose over time!
- *Don't attempt to modify parts!



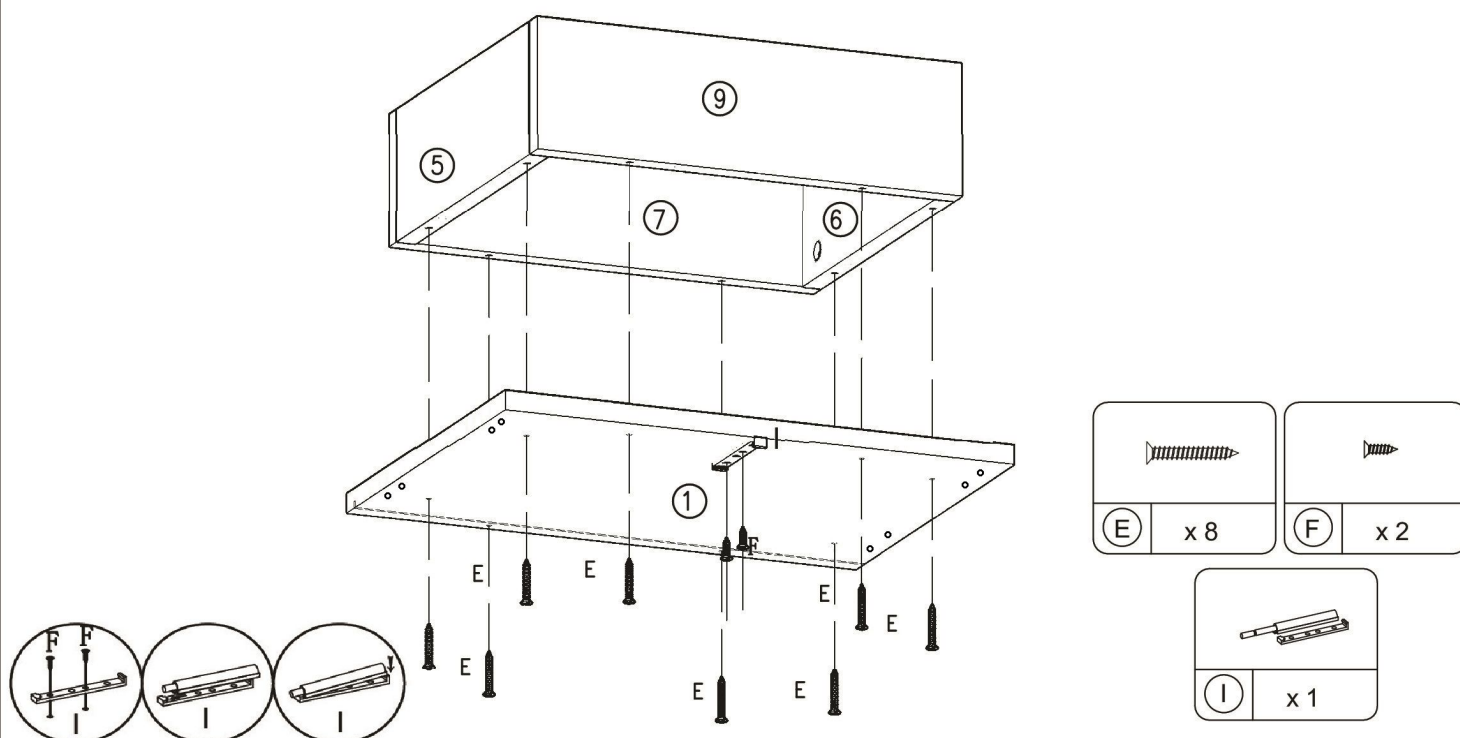
ASSEMBLY INSTRUCTIONS

ITEM NO.: I201-41
NIGHT STAND W/LED

STEP 1:



STEP 2:



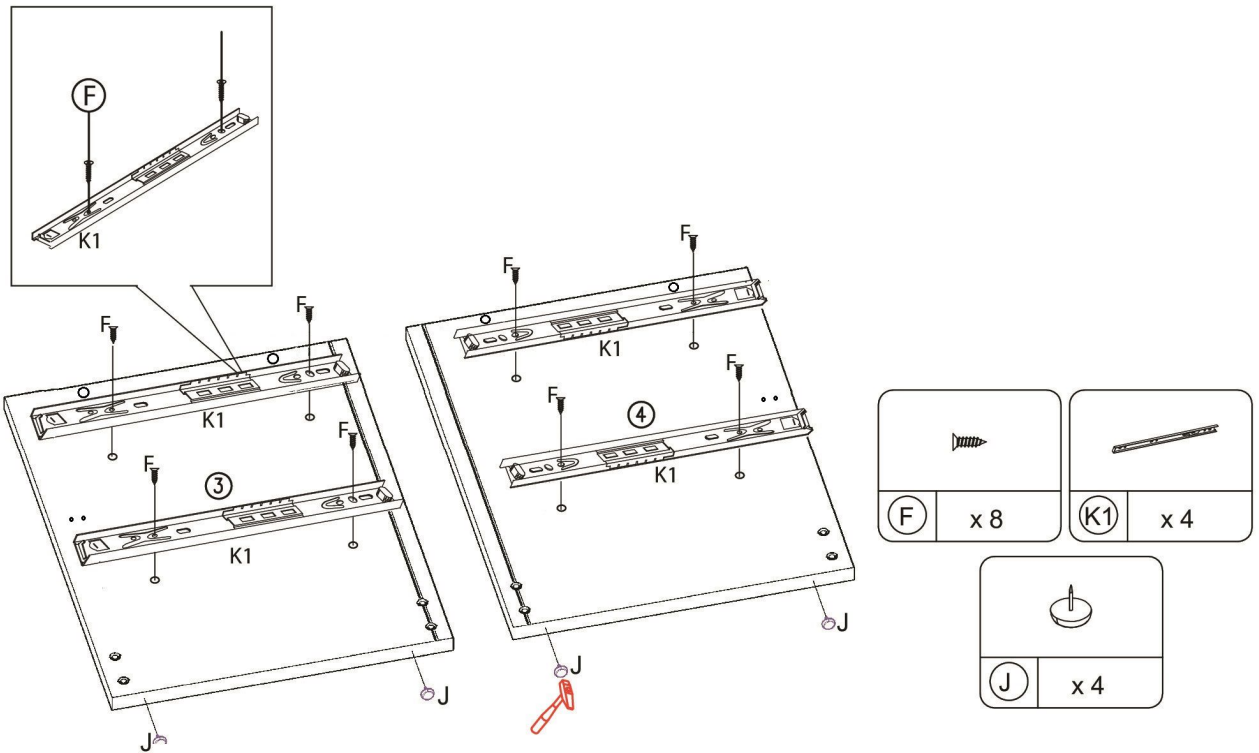
Cleaning instruction: Clean using soft cloth

Made in Malaysia

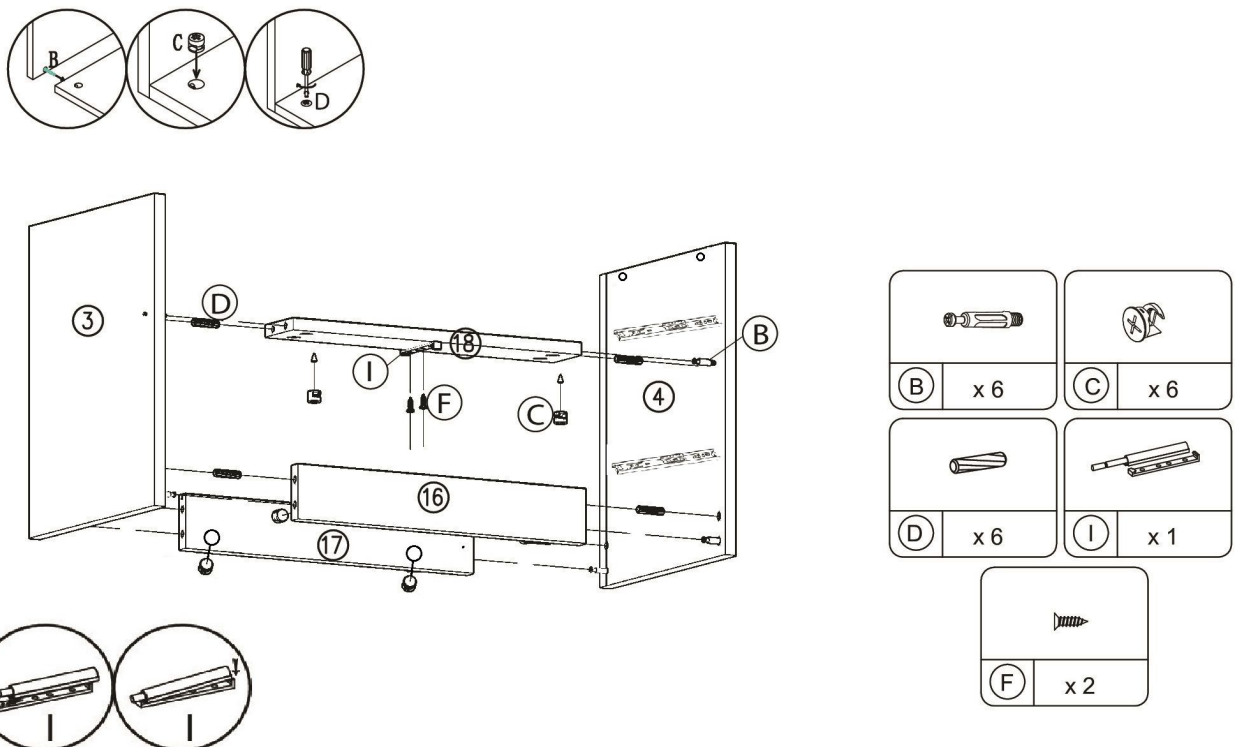
ASSEMBLY INSTRUCTIONS

ITEM NO.: I201- 41
NIGHT STAND W/LED

STEP 3:



STEP 4:



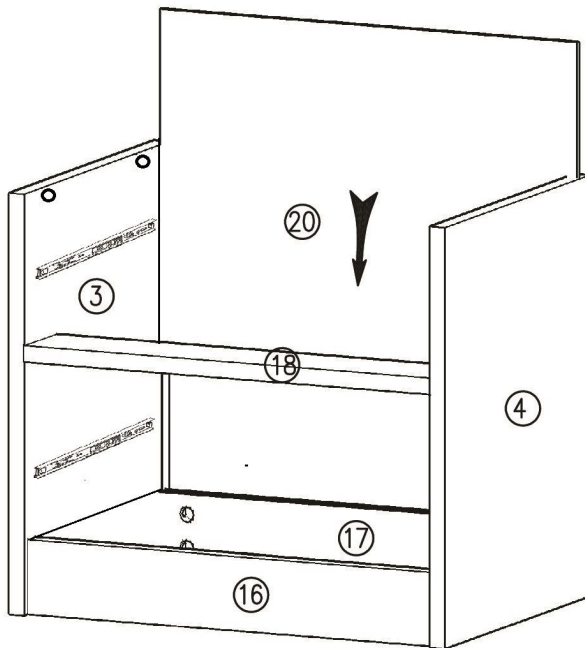
Cleaning instruction: Clean using soft cloth

Made in Malaysia

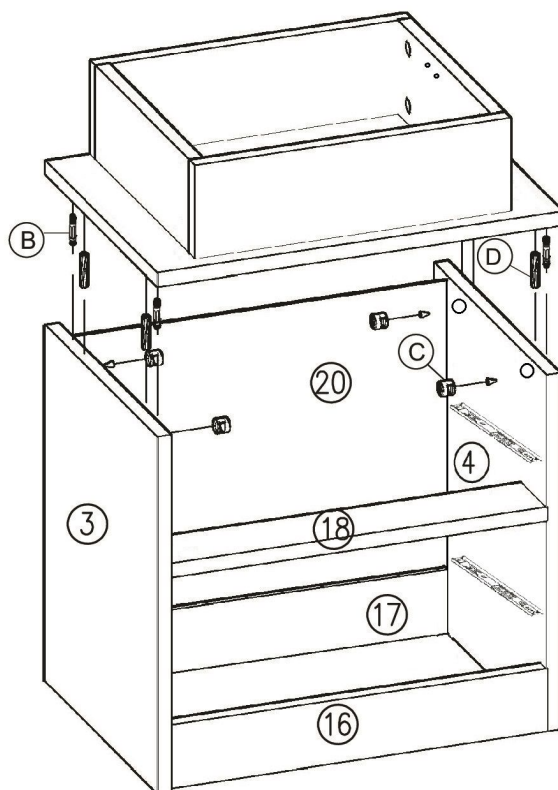
ASSEMBLY INSTRUCTIONS

ITEM NO.: I201- 41
NIGHT STAND W/LED

STEP 5:



STEP 6:



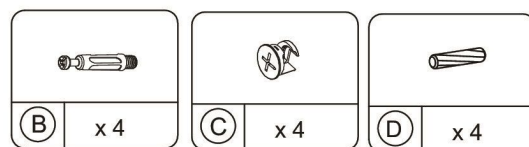
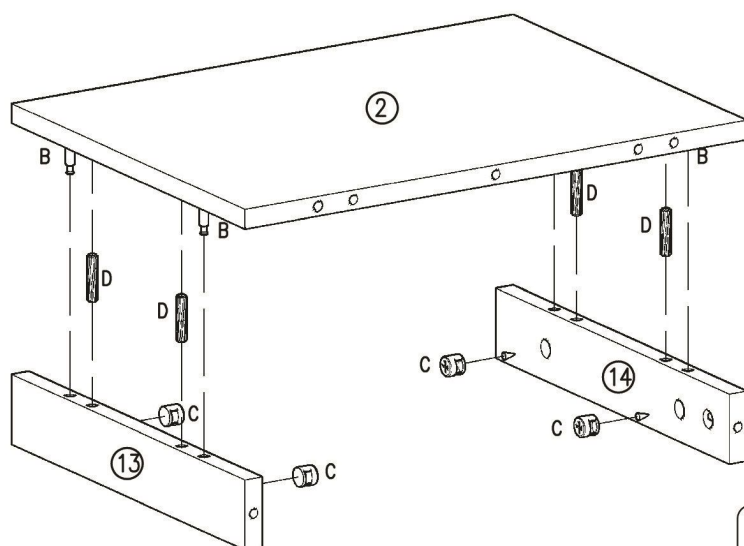
Cleaning instruction: Clean using soft cloth

Made in Malaysia

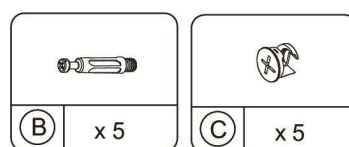
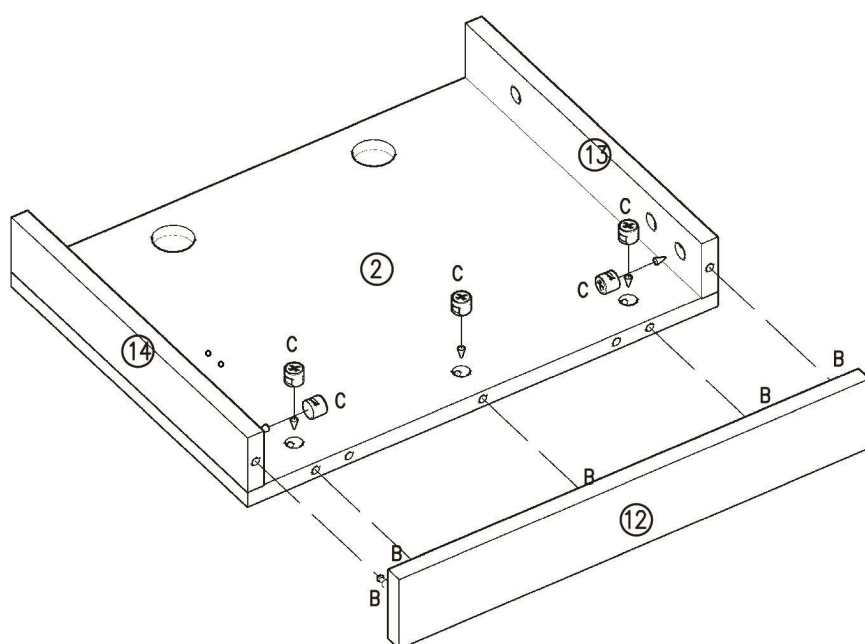
ASSEMBLY INSTRUCTIONS

ITEM NO.: I201- 41
NIGHT STAND W/LED

STEP 7:



STEP 8:



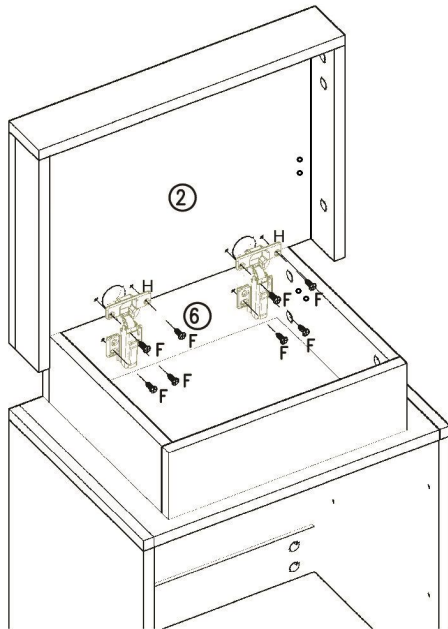
Cleaning instruction: Clean using soft cloth

Made in Malaysia

ASSEMBLY INSTRUCTIONS

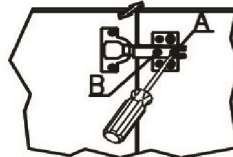
ITEM NO.: I201- 41
NIGHT STAND W/LED

STEP 9:

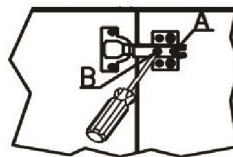


Hinge Adjustment

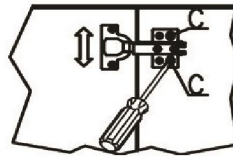
If the doors do not appear square or aligned, loosen or tighten the appropriate screws on each case hinge as illustrated.



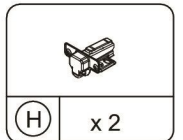
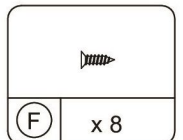
1)Side to side adjustment:
Loosen screw A, adjust gap with screw B and re-tighten screw A.



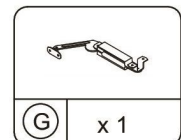
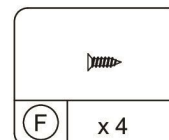
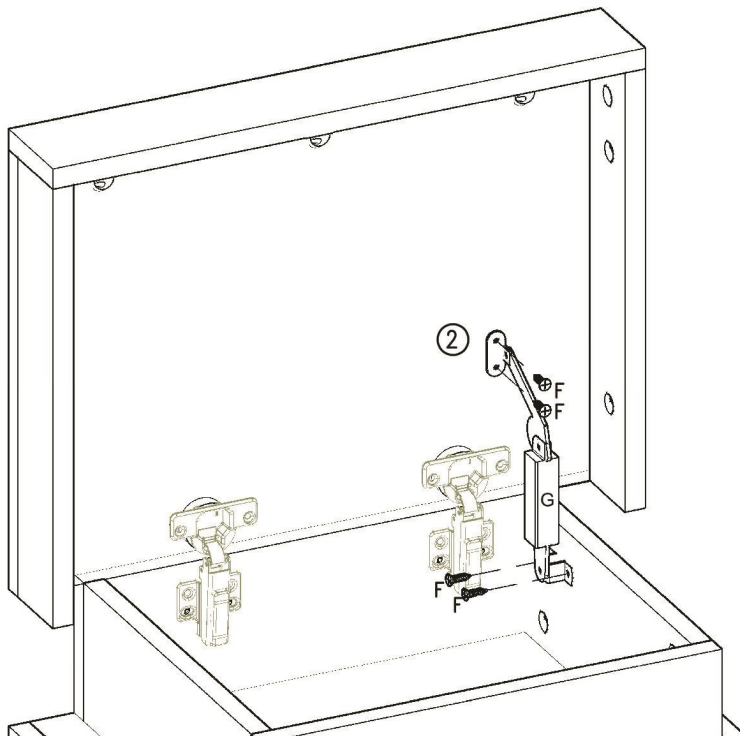
2)Depth adjustment:
Loosen screw A, push hinge arm forwards or backwards, re-tighten screw A and screw B with a 1/4 turn clockwise.



3)Height adjustment:
Loosen screw C, adjust door height and re-tighten screw C.



STEP 10:



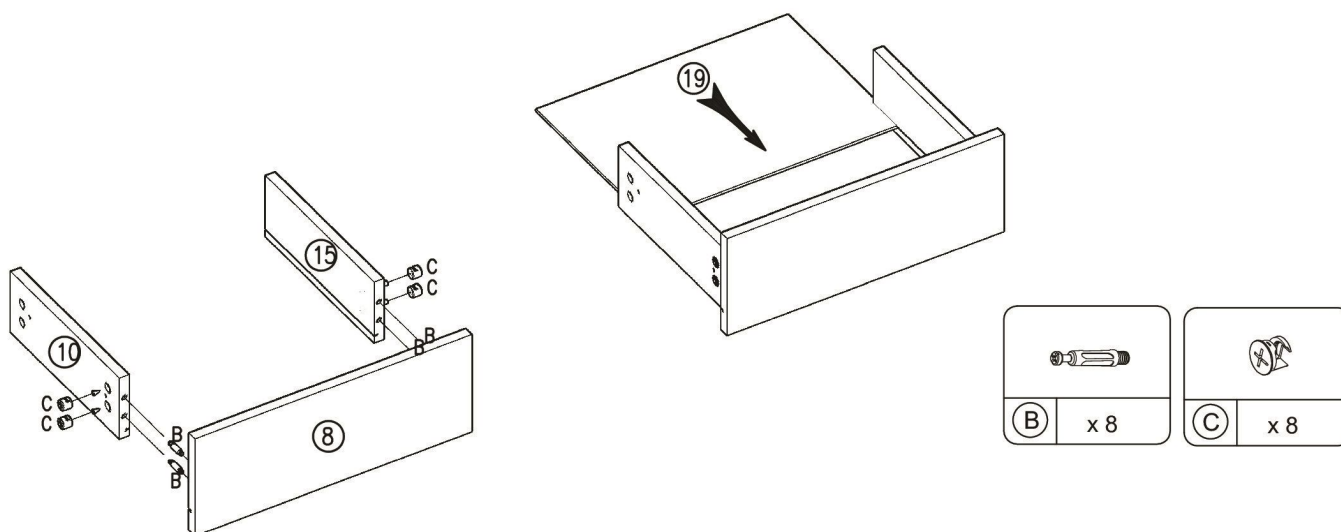
Cleaning instruction: Clean using soft cloth

Made in Malaysia

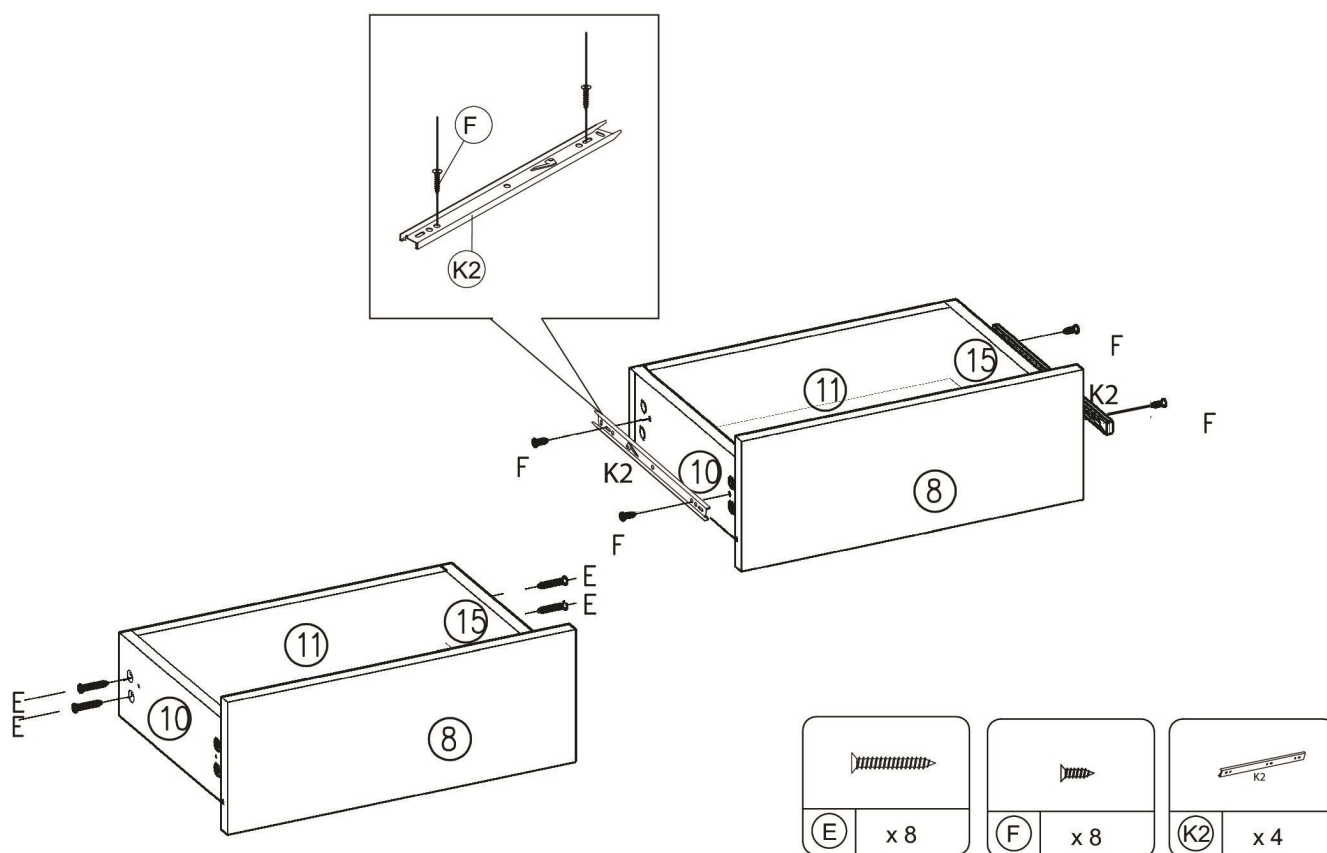
ASSEMBLY INSTRUCTIONS

ITEM NO.: I201- 41
NIGHT STAND W/LED

STEP 11:



STEP 12:



Cleaning instruction: Clean using soft cloth

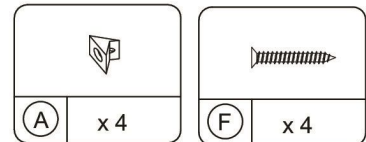
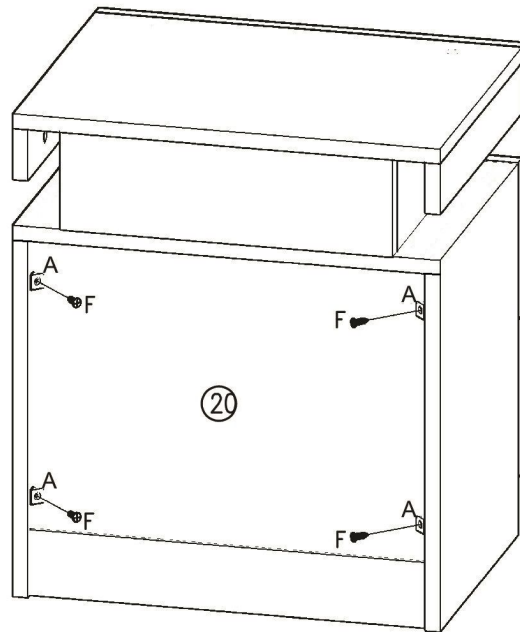
Made in Malaysia

ASSEMBLY INSTRUCTIONS

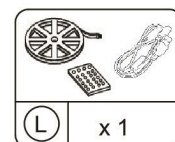
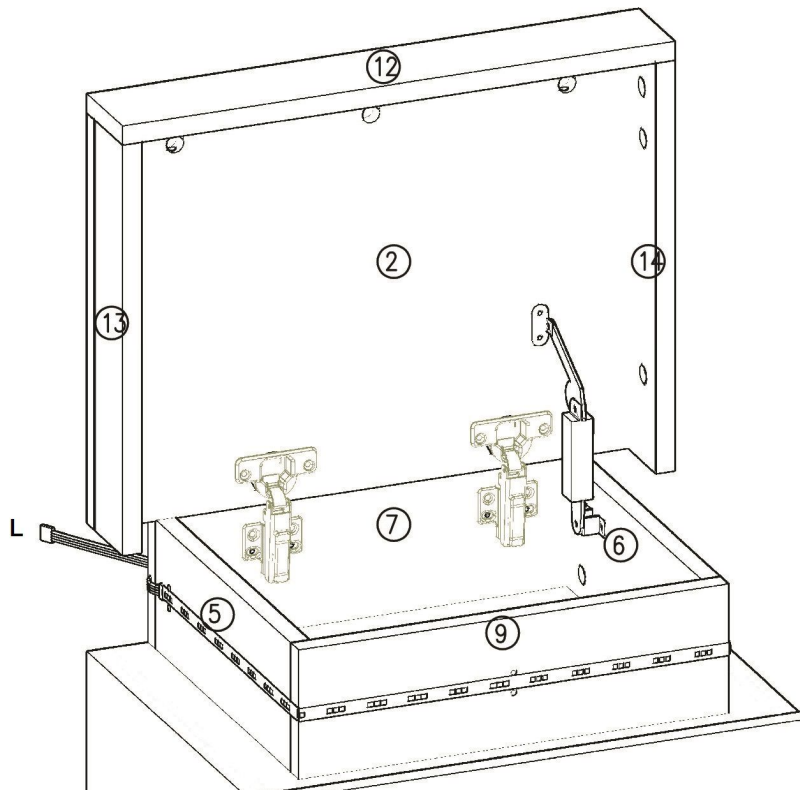
ITEM NO.: I201-41
NIGHT STAND W/LED

STEP 13:

BACK VIEW



STEP 14:



Cleaning instruction: Clean using soft cloth

Made in Malaysia