




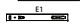









ASSEMBLY INSTRUCTIONS

ITEM NO.: I201- 42
NIGHT STAND

Thank you for purchasing this quality product. Place all wooden parts on a clean and smooth surface such as a rug or carpet to avoid the parts from being scratched. Be sure to check all packing materials carefully for small parts may have come loose inside the carton during shipment, clarify and count all parts and compare with the parts list below. Do not tighten all screws / bolts until all completely assembled.

Parts List		
No.	Description	Q.ty
1	Top Panel	1 PC
2	Bottom Panel	1 PC
3	Left Panel	1 PC
4	Right Panel	1 PC
5	Drawer Back Panel	1 PC
6	Drawer Bottom Panel	1 PC
7	Back Panel	1 PC
8	Drawer Front Panel	1 PC
9	Drawer Right Panel	1 PC
10	Drawer Left Panel	1 PC

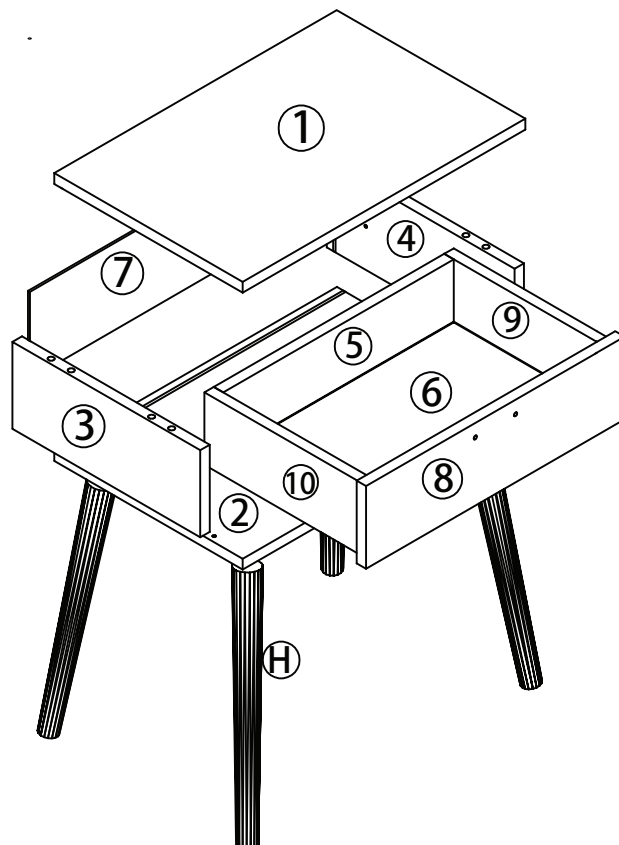
Hardware List				
No.	Description	Sketch	Size	Q.ty
A	Cam Bolt		M6 x 40mm	8pcs
B	Cam Lock		D:15 x T11mm	8pcs
C	Wood Dowel		M8 x 40mm	4pcs
D	Screw		M3.5 x 14mm	32pcs
E	Screw		M4 x 35mm	8Pcs
F1	Rail		250mm	2Pcs
F2	Rail		250mm	2Pcs
G	Panel Clips			4pcs
H	Leg			4pcs
I	Legs Connector			4pcs
J	Machine Screw		M4 x 20mm	2pcs
K	Handle			1pc
L	Metal Connector			1pc

NOTE : YOU WILL ALSO NEED A SCREWDRIVER (NOT PROVIDED)

These parts are cumbersome and heavy. Therefore, two people are recommended in order to prevent personal injury and insure the parts are not damaged during the assembly.

Important Notes

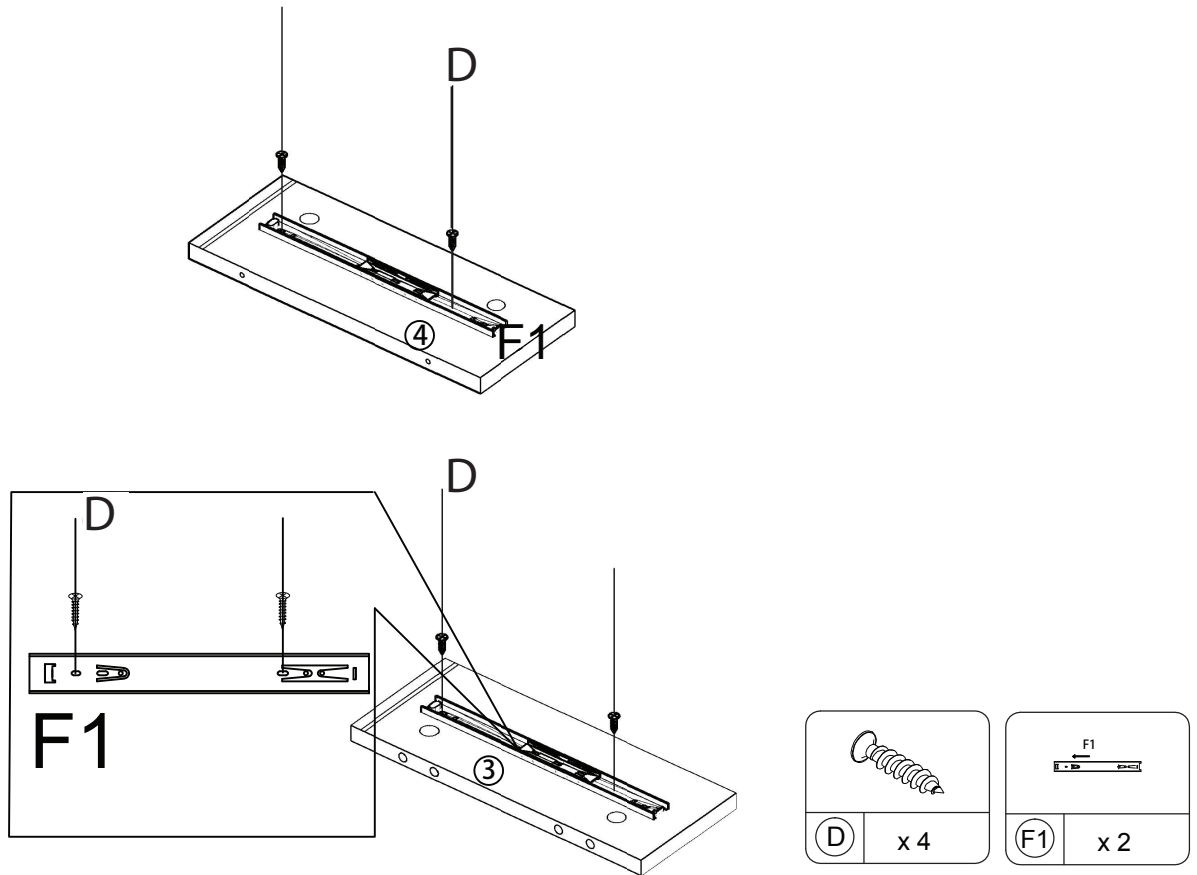
- *Keep all hardware parts out of reach of children!
- *Tighten screws periodically! With the use of this product bolts and screws may become loose over time!
- *Don't attempt to modify parts!



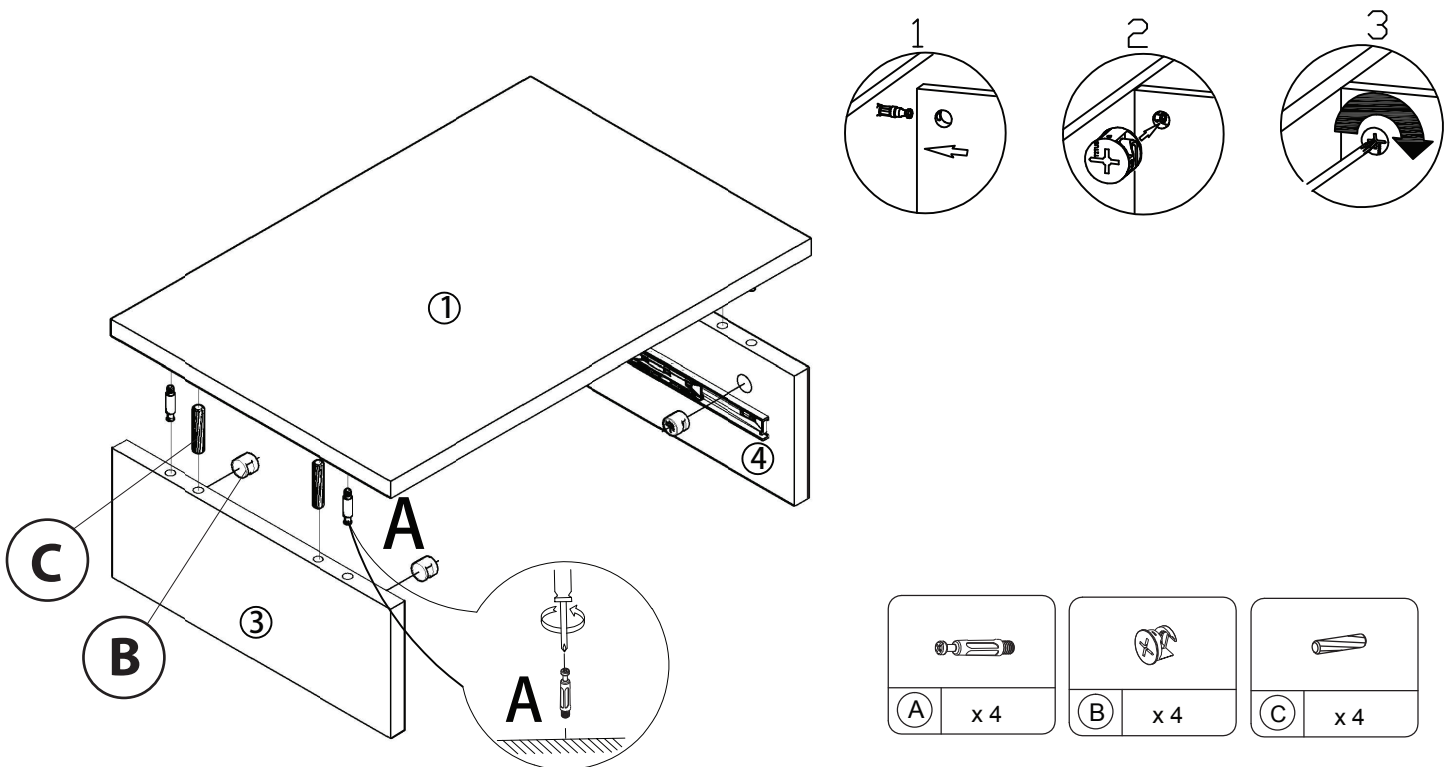
ASSEMBLY INSTRUCTIONS

ITEM NO.: I201- 42
NIGHT STAND

STEP 1:



STEP 2:



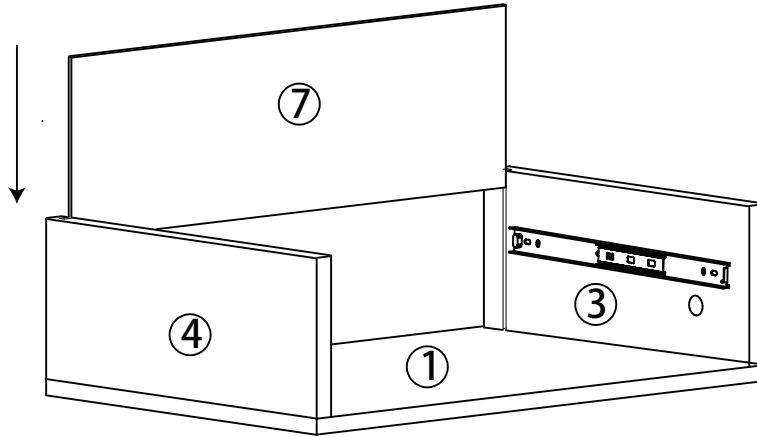
Cleaning instruction: Clean using soft cloth

Made in Malaysia

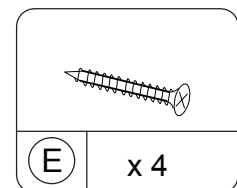
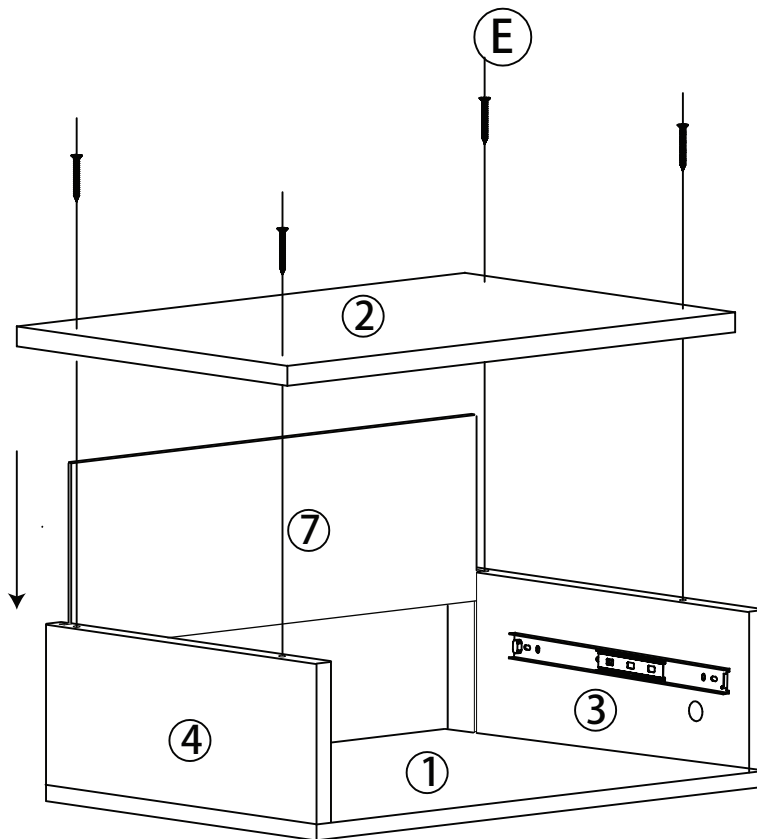
ASSEMBLY INSTRUCTIONS

ITEM NO.: I201-42
NIGHT STAND

STEP 3:



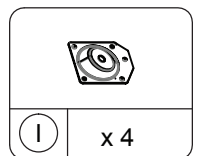
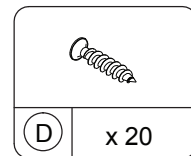
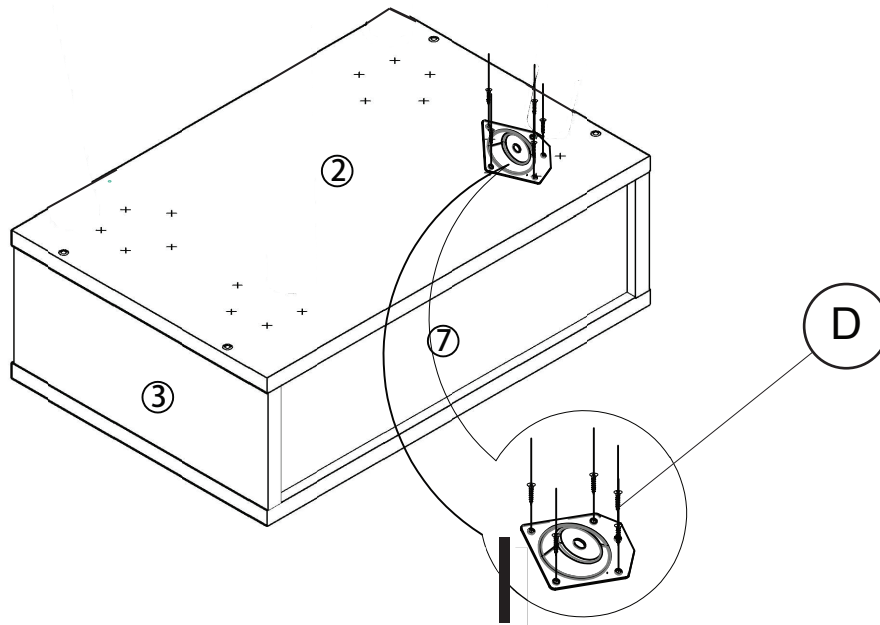
STEP 4:



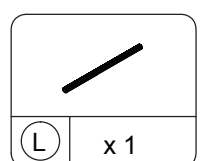
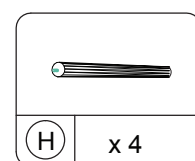
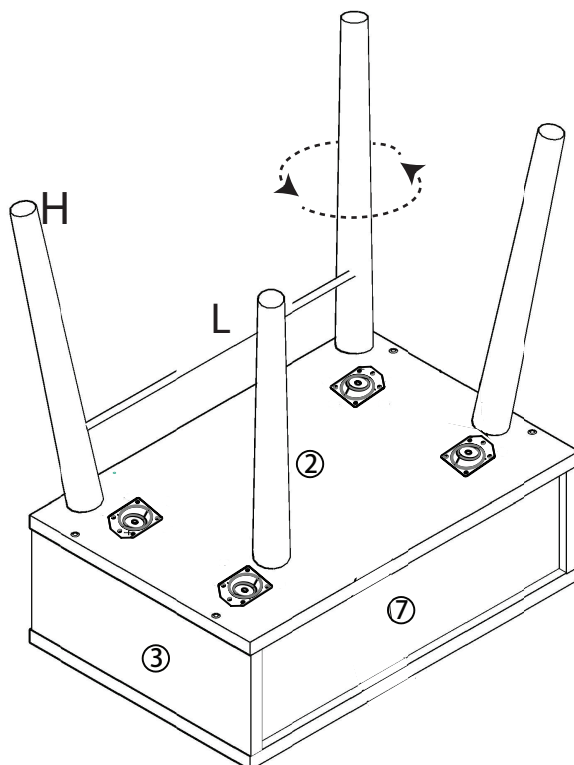
ASSEMBLY INSTRUCTIONS

ITEM NO.: I201- 42
NIGHT STAND

STEP 5:



STEP 6:



Cleaning instruction: Clean using soft cloth

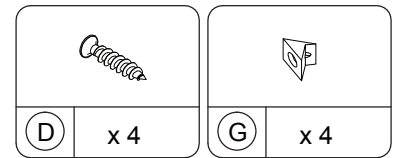
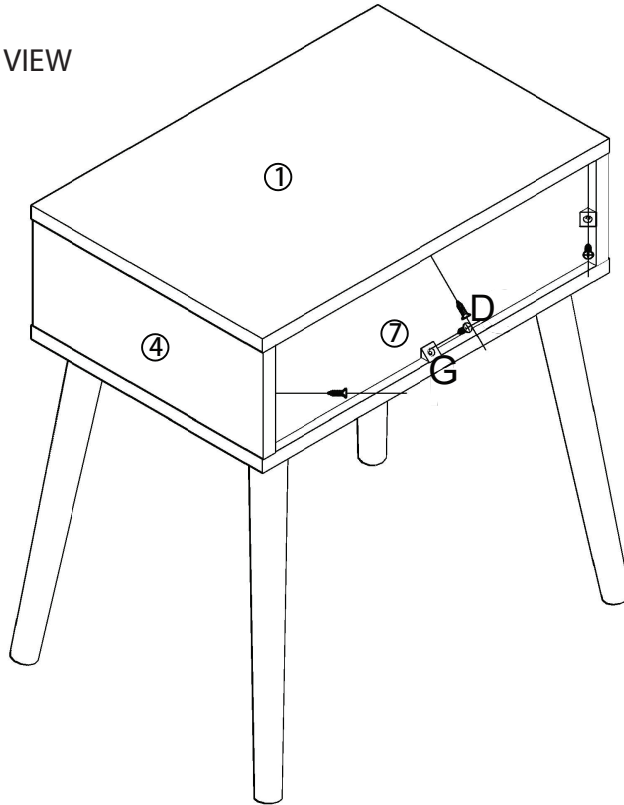
Made in Malaysia

ASSEMBLY INSTRUCTIONS

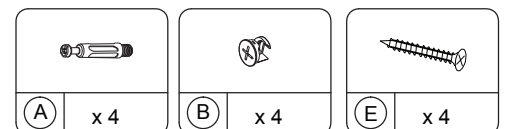
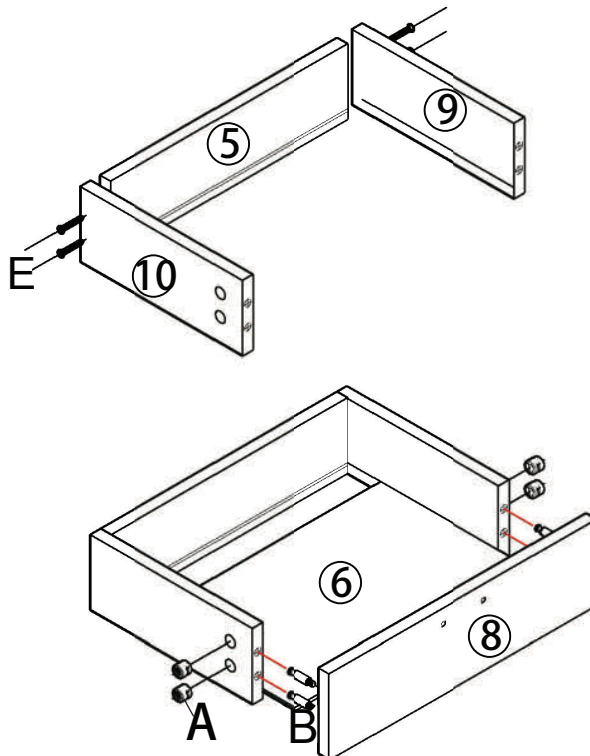
ITEM NO.: I201- 42
NIGHT STAND

STEP 7:

BACK VIEW



STEP 8:



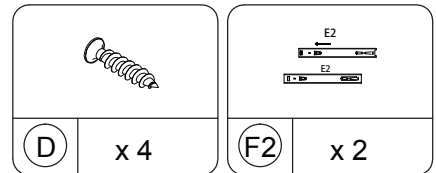
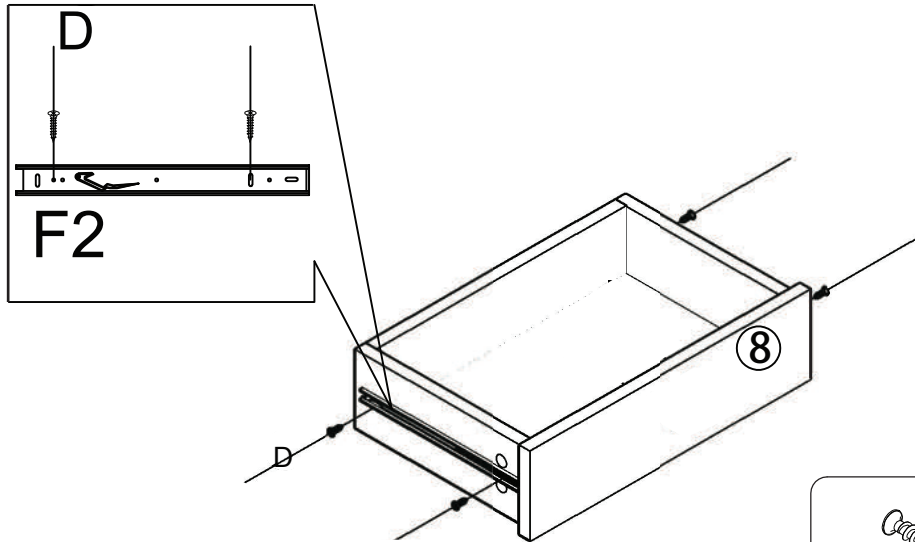
Cleaning instruction: Clean using soft cloth

Made in Malaysia

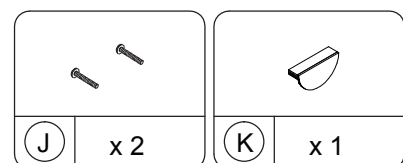
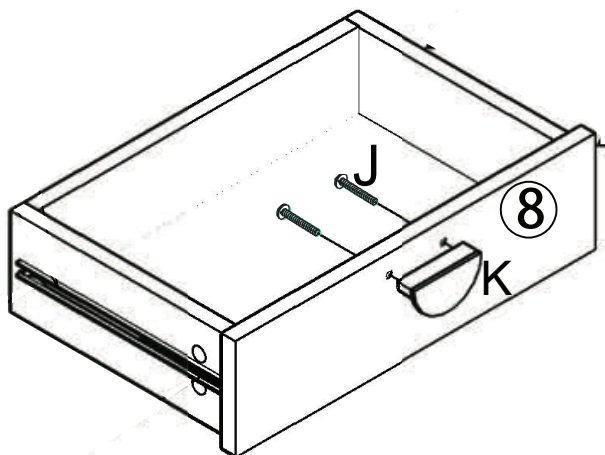
ASSEMBLY INSTRUCTIONS

ITEM NO.: I201- 42
NIGHT STAND

STEP 9:



STEP 10:



ASSEMBLY INSTRUCTIONS

ITEM NO.: I201- 42
NIGHT STAND

STEP 11:

