








ASSEMBLY INSTRUCTIONS

ITEM NO.: I201- 43 / I201- 44
NIGHT STAND W/LED

Thank you for purchasing this quality product. Place all wooden parts on a clean and smooth surface such as a rug or carpet to avoid the parts from being scratched. Be sure to check all packing materials carefully for small parts may have come loose inside the carton during shipment, clarify and count all parts and compare with the parts list below. Do not tighten all screws / bolts until all completely assembled.

Parts List		
No.	Description	Q.ty
1	Top Panel	1PC
2	Bottom Panel	1PC
3	Upper Left Panel	1PC
4	Bottom Left Panel	1PC
5	Upper Right Panel	1PC
6	Bottom Right Panel	1PC
7	Back Panel	1PC
8	Upper Drawer Face	1PC
9	Bottom Drawer Face	1PC
10	Drawer Side (L)	2PCS
11	Drawer Back	2PCS
12	Drawer Bottom	2PCS
13	Acrylic Panel (Front)	1PC
14	Acrylic Panel (L) (R)	2PCS
15	Drawer Side (R)	2PCS

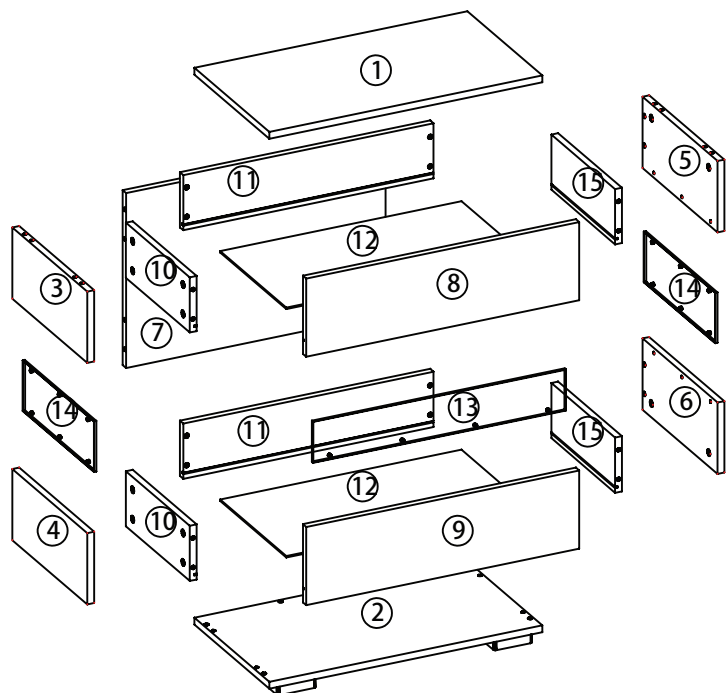
Hardware List				
No.	Description	Sketch	Size	Q.ty
A	Cam Bolt		M6 x 40mm	36pcs
B	Cam Lock		D:15 X T11MM	36pcs
C	Wood Dowel		M8 x 40mm	8pcs
D	Screw		M3.5 x 15mm	24pcs
E	Screw		M4 x 25mm	8pcs
F	Bolts		M6 x 14mm	16pcs
G	Legs			4pcs
H1	Rails		350MM	4pcs
H2	Rails		350MM	4pcs
I	Push Opener			4pcs
J	LED with Controller			1set

NOTE : YOU WILL ALSO NEED A SCREWDRIVER (NOT PROVIDED)

These parts are cumbersome and heavy. Therefore, two people are recommended in order to prevent personal injury and insure the parts are not damaged during the assembly.

△ Important Notes

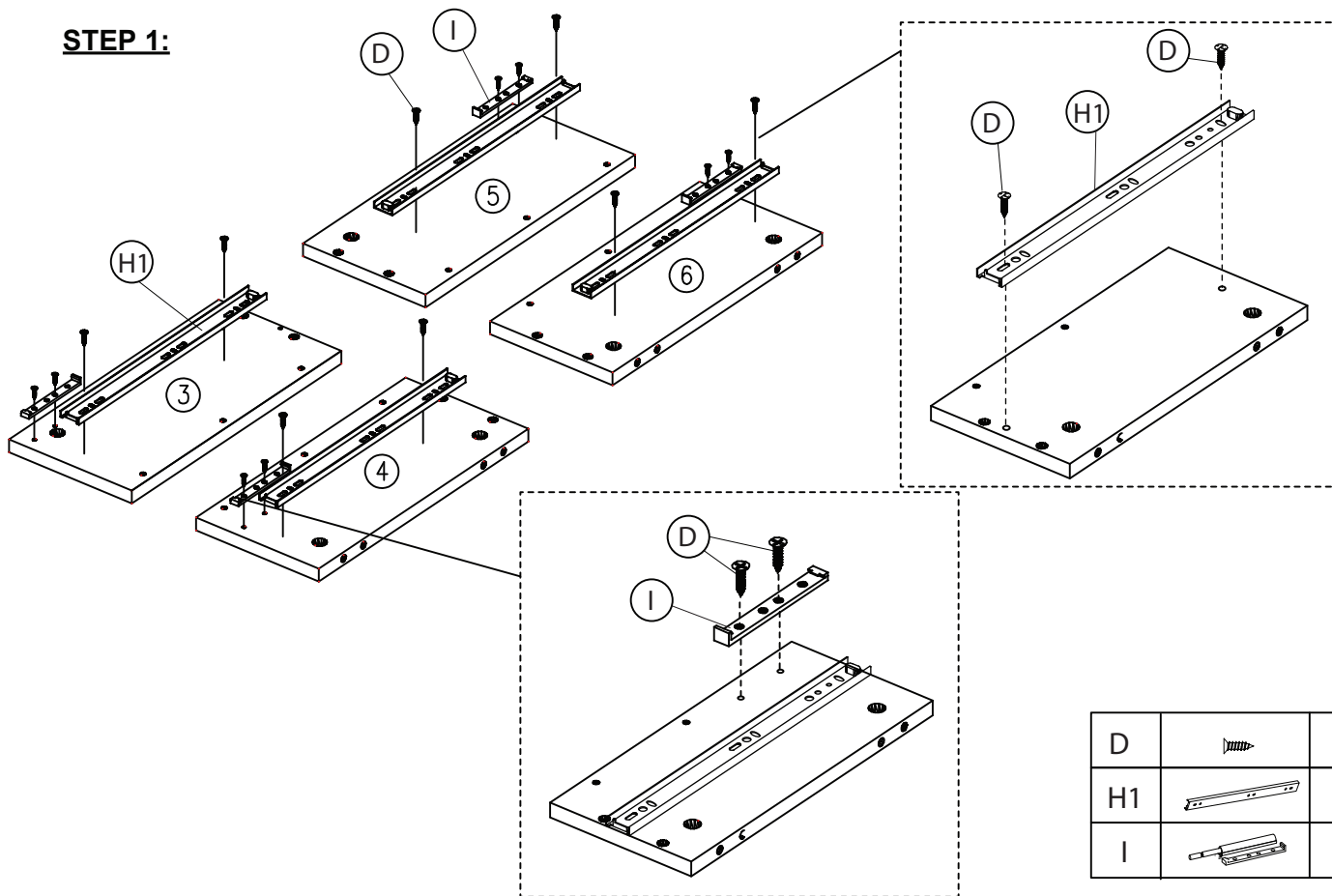
- *Keep all hardware parts out of reach of children!
- *Tighten screws periodically! With the use of this product bolts and screws may become loose over time!
- *Don't attempt to modify parts!



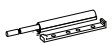


ASSEMBLY INSTRUCTIONS

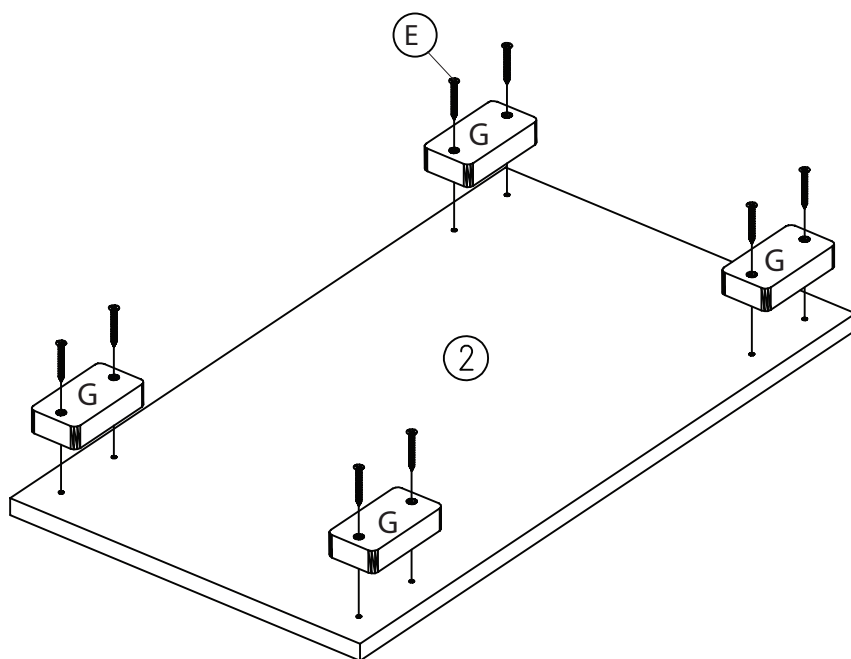
ITEM NO.: I201- 43 / I201- 44
NIGHT STAND W/LED

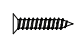

STEP 1:



D		16
H1		4
I		4

STEP 2:



E		8
G		4

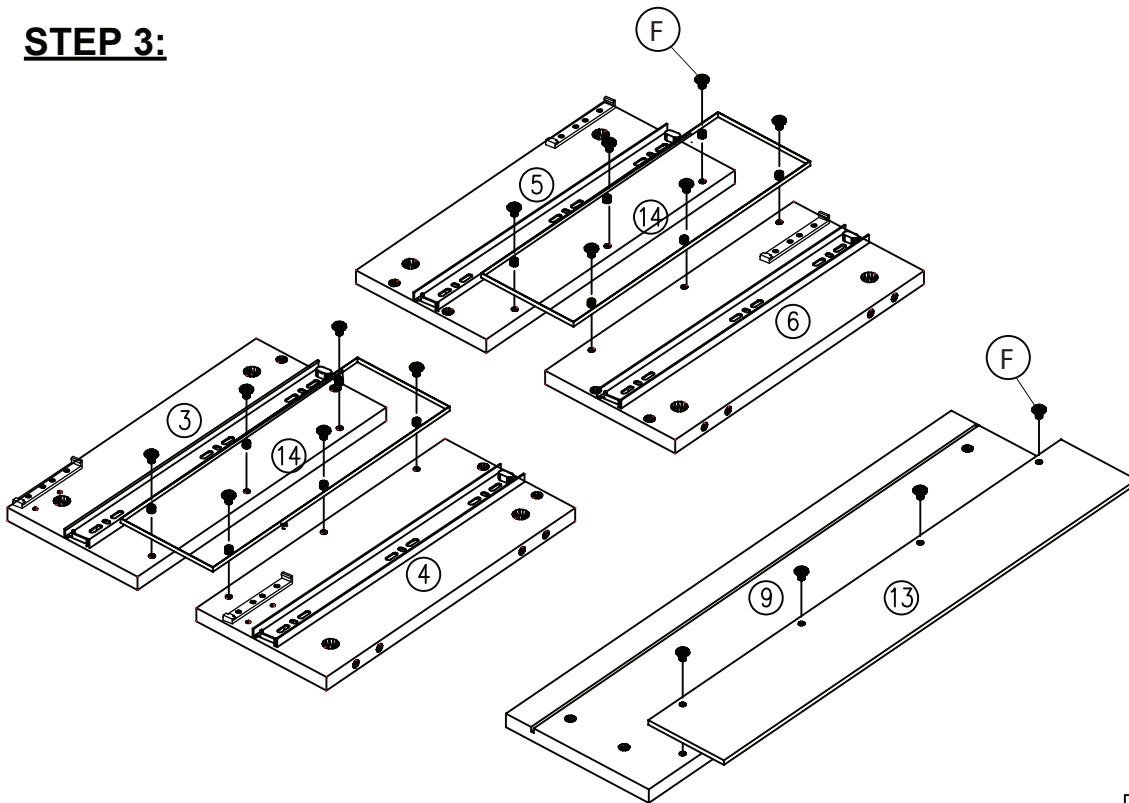
Cleaning instruction: Clean using soft cloth

Made in Malaysia

ASSEMBLY INSTRUCTIONS

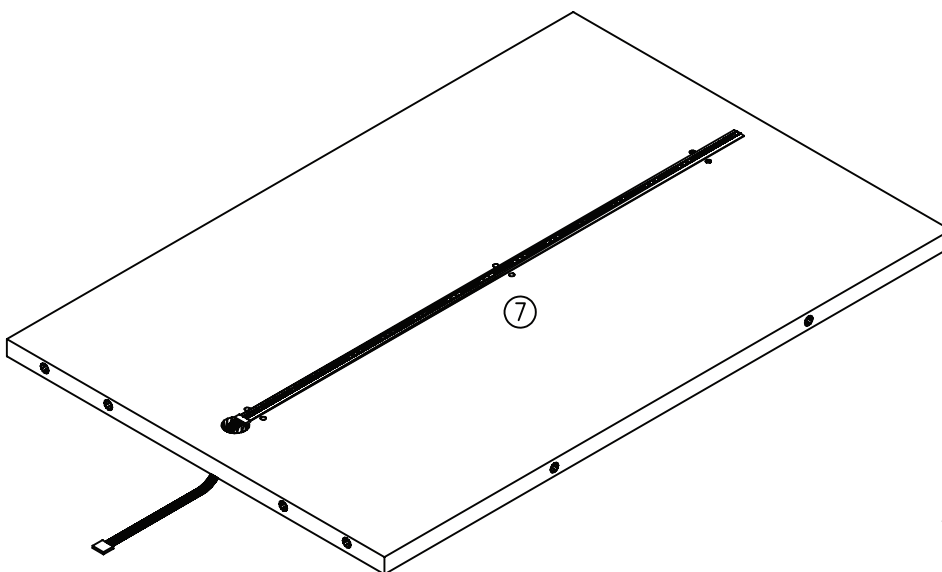
ITEM NO.: I201- 43 / I201- 44
NIGHT STAND W/LED


STEP 3:



F		16
---	---	----

STEP 4:



J		1
---	---	---

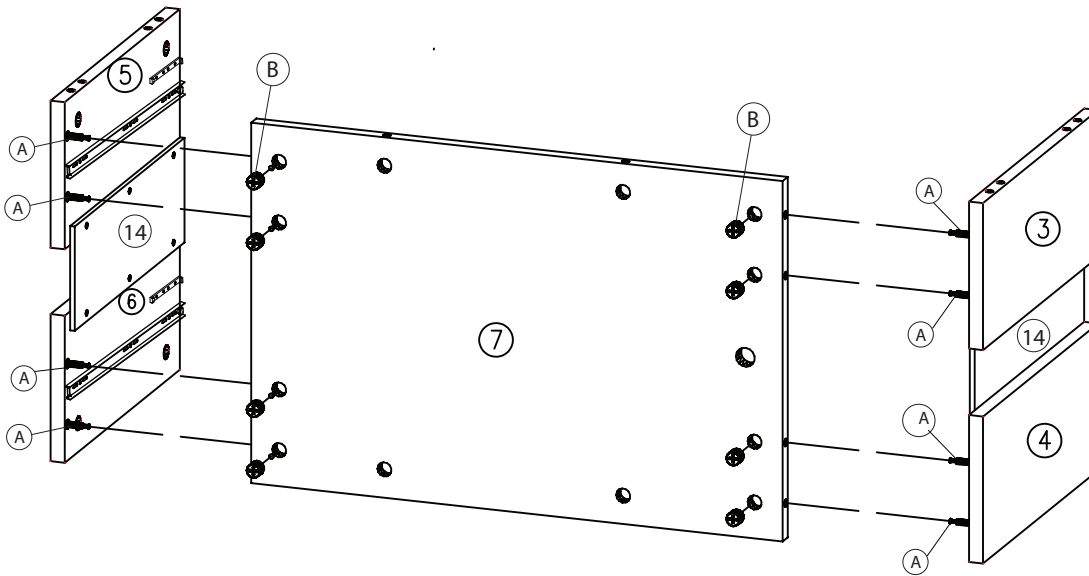
Cleaning instruction: Clean using soft cloth



Made in Malaysia

ASSEMBLY INSTRUCTIONS

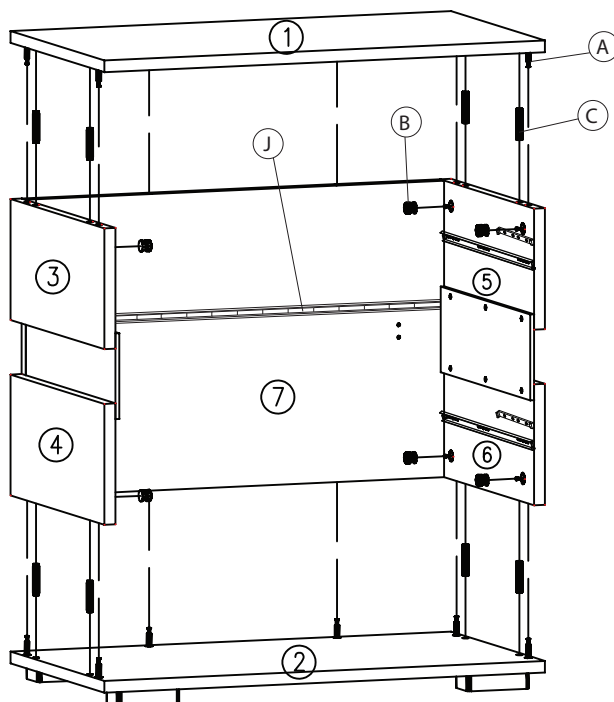
ITEM NO.: I201- 43 / I201- 44
NIGHT STAND W/LED




STEP 5:



A		8
B		8

STEP 6:



A		12
B		12
C		8

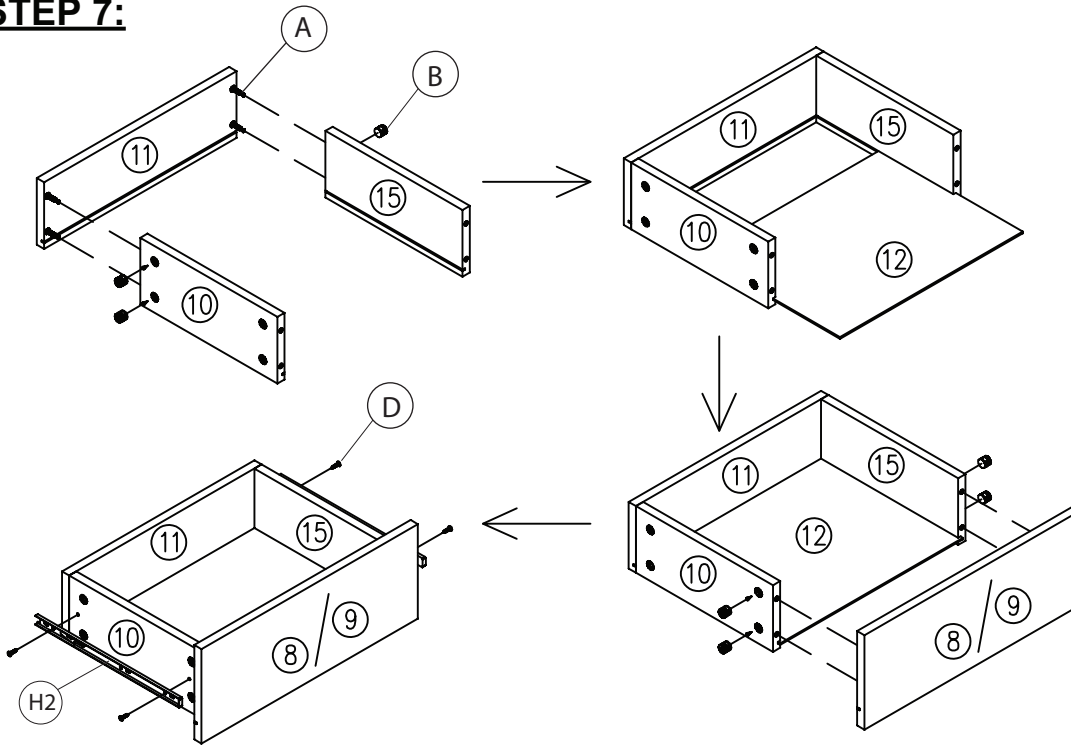
Cleaning instruction: Clean using soft cloth

Made in Malaysia

ASSEMBLY INSTRUCTIONS

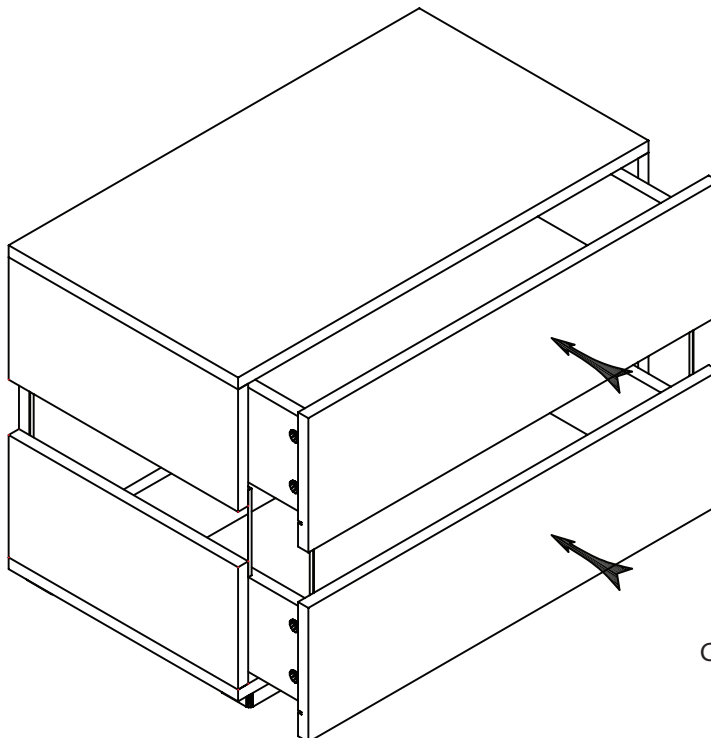
ITEM NO.: I201- 43 / I201- 44
NIGHT STAND W/LED

STEP 7:



A		16	D		8
B		16	H2		4

STEP 8:



COMPLETE ASSEMBLED