











# ASSEMBLY INSTRUCTIONS

ITEM NO.: I201- 45  
NIGHT STAND

Thank you for purchasing this quality product. Place all wooden parts on a clean and smooth surface such as a rug or carpet to avoid the parts from being scratched. Be sure to check all packing materials carefully for small parts may have come loose inside the carton during shipment, clarify and count all parts and compare with the parts list below. Do not tighten all screws / bolts until all completely assembled.

Parts List		
No.	Description	Q.ty
1	Top Panel	1PC
2	Bottom Panel	1PC
3	Left Panel	1PC
4	Right Panel	1PC
5	Drawer Back Panel	2PCS
6	Drawer Bottom Panel	2PCS
7	Back Panel	1PC
8	Drawer Front Panel	2PCS
9	Drawer Right Panel	2PCS
10	Drawer Left Panel	2PCS

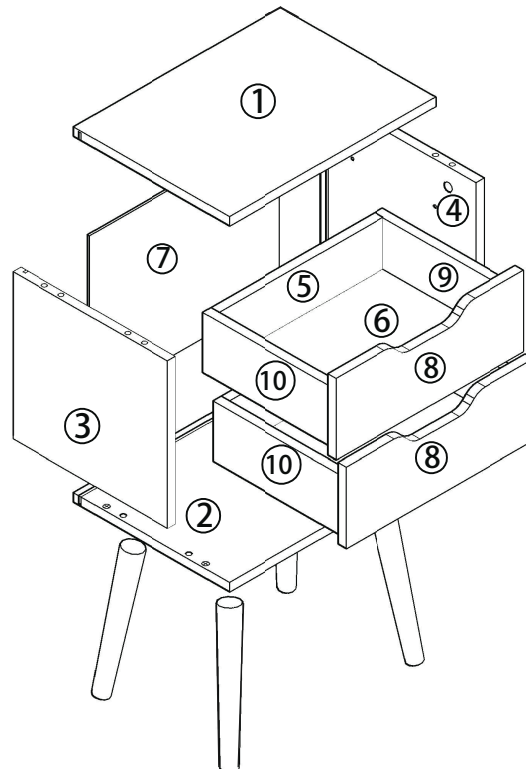
Hardware List				
No.	Description	Sketch	Size	Q.ty
A	Cam Bolt		M6 x 40mm	16pcs
B	Cam Lock		D:15 X T11MM	16pcs
C	Wood Dowels		M8 x 40mm	8pcs
D	Screw		M3.5 x 14mm	42pcs
E	Screw		M4 x 35mm	8pcs
F1	Rails		250MM	4pcs
F2	Rails		250MM	4pcs
G	Panel Clips			6pcs
H	Legs			4pcs
I	Legs Connector			4pcs

## NOTE : YOU WILL ALSO NEED A SCREWDRIVER (NOT PROVIDED)

These parts are cumbersome and heavy. Therefore, two people are recommended in order to prevent personal injury and insure the parts are not damaged during the assembly.

### Important Notes

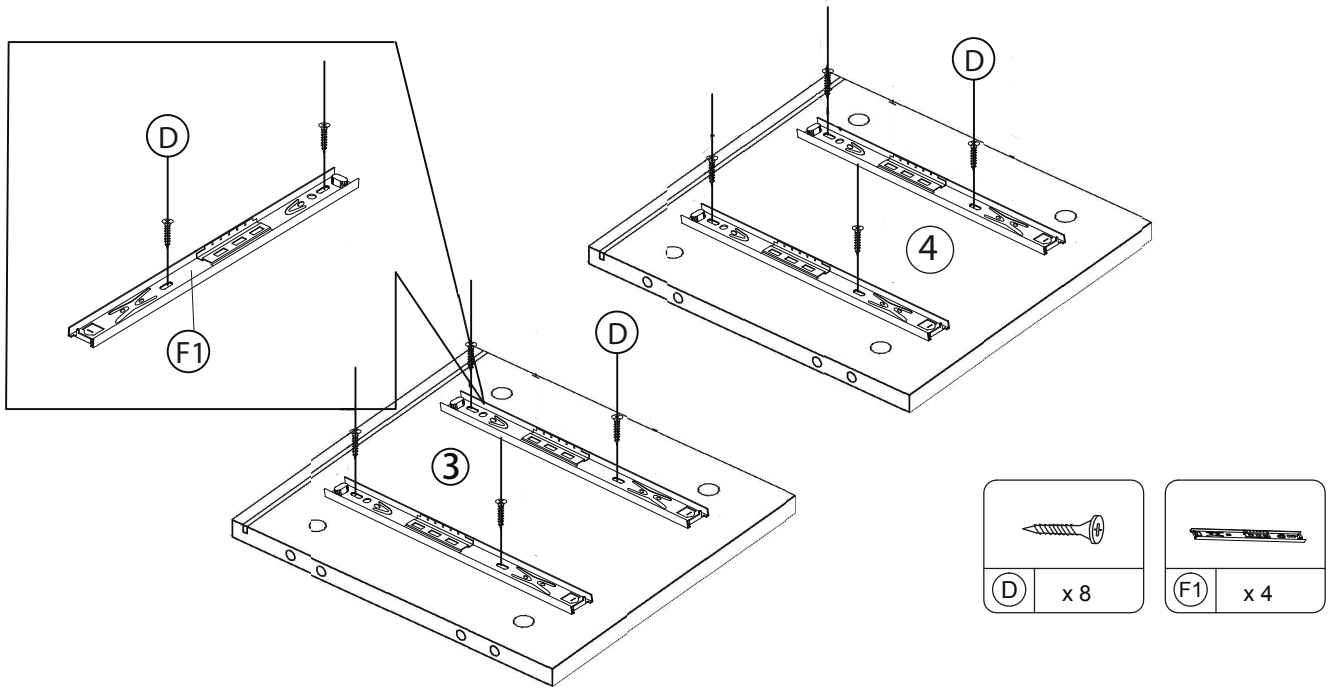
- \*Keep all hardware parts out of reach of children!
- \*Tighten screws periodically! With the use of this product bolts and screws may become loose over time!
- \*Don't attempt to modify parts!



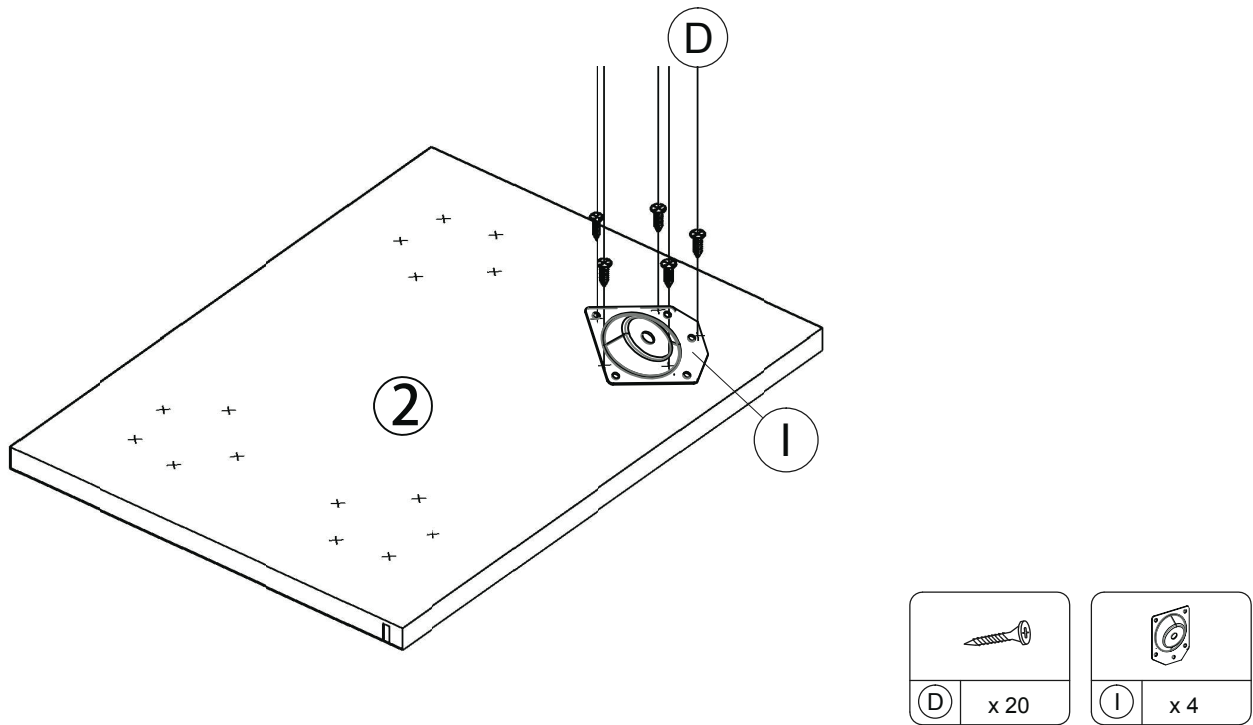
# ASSEMBLY INSTRUCTIONS

ITEM NO.: I201- 45  
NIGHT STAND

## STEP 1:



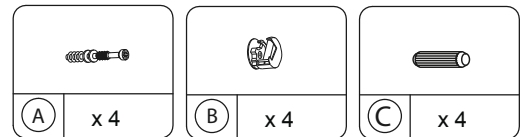
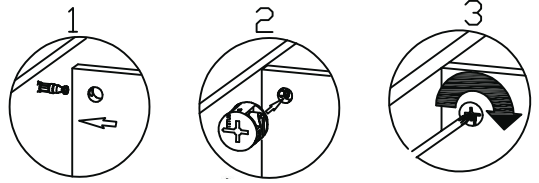
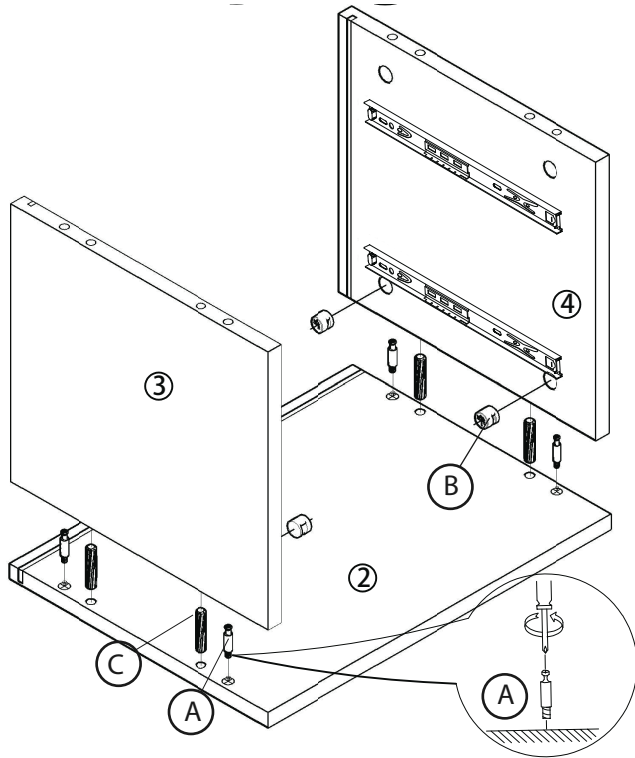
## STEP 2:



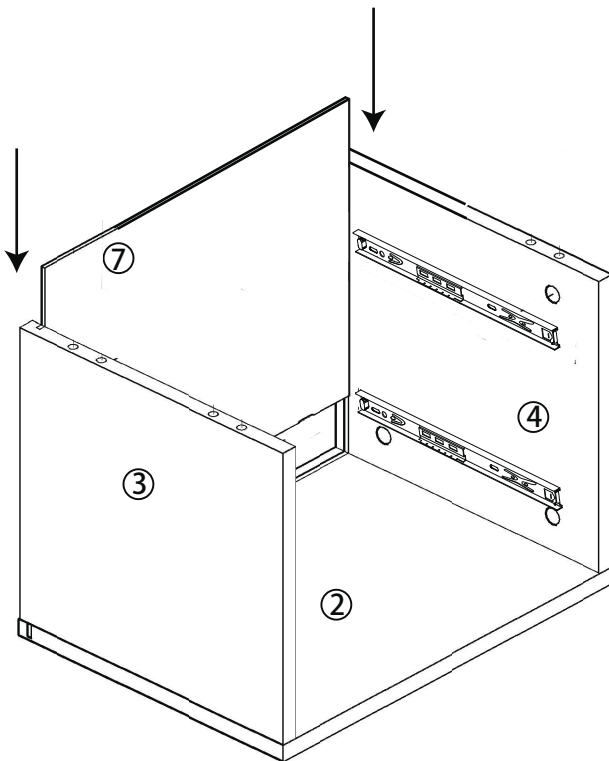
# ASSEMBLY INSTRUCTIONS

ITEM NO.: I201- 45  
NIGHT STAND

## STEP 3:



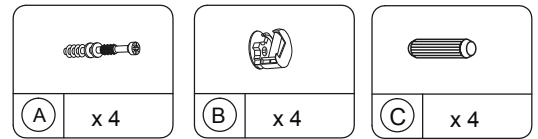
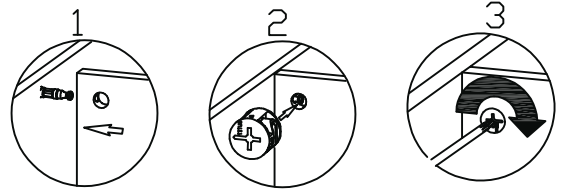
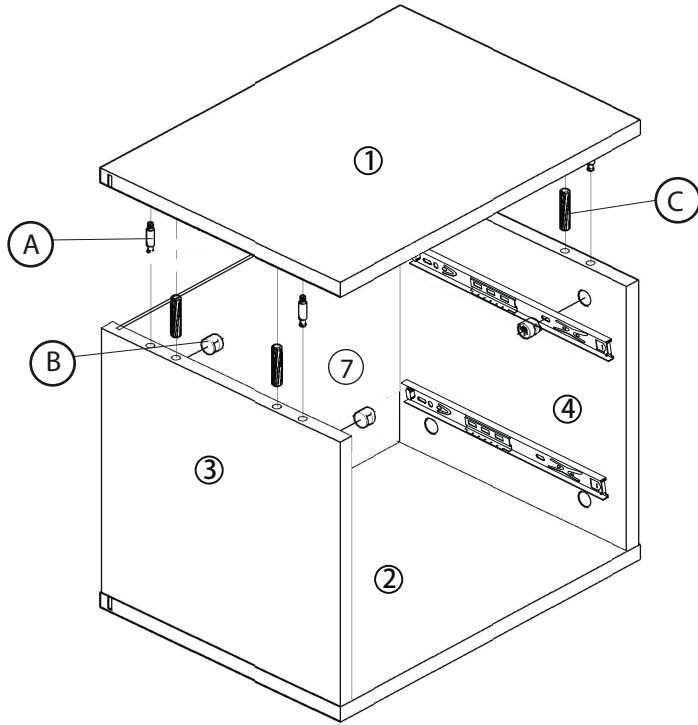
## STEP 4:



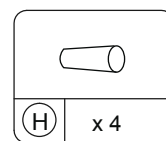
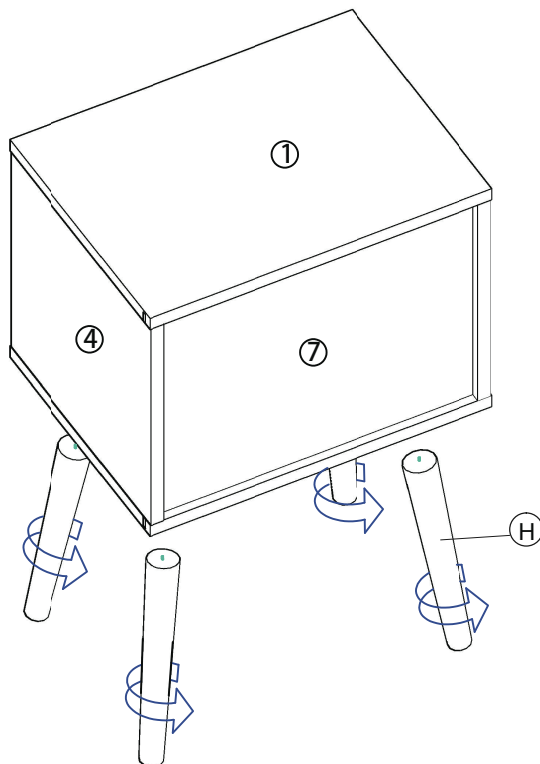
# ASSEMBLY INSTRUCTIONS

ITEM NO.: I201- 45  
NIGHT STAND

## STEP 5:



## STEP 6:



Cleaning instruction: Clean using soft cloth

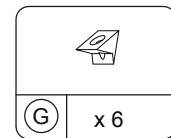
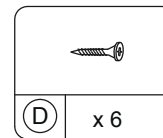
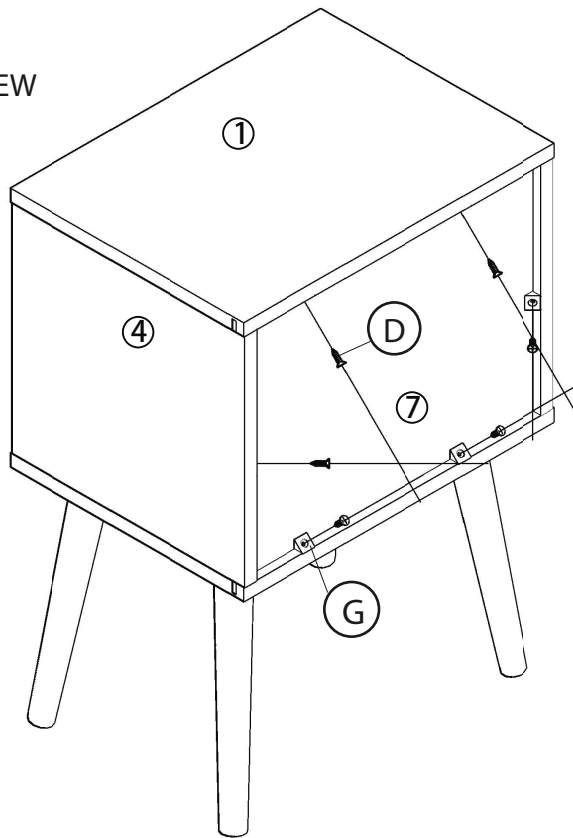
Made in Malaysia

# ASSEMBLY INSTRUCTIONS

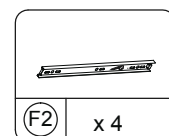
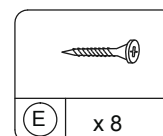
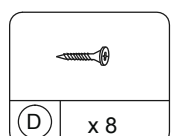
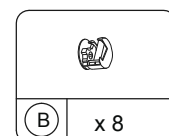
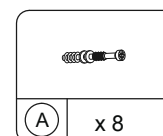
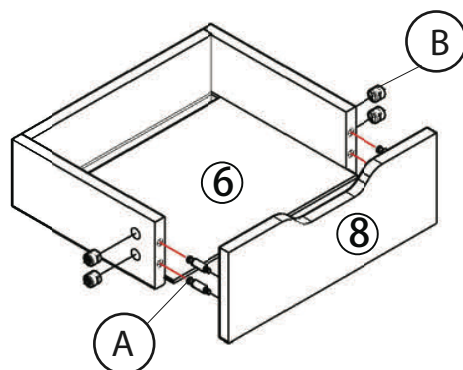
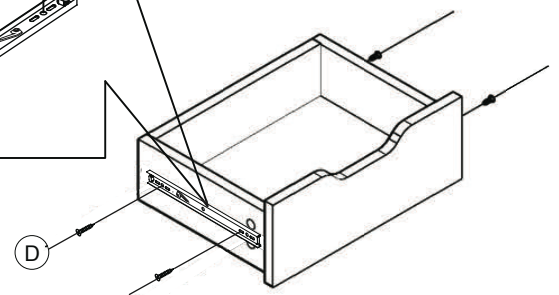
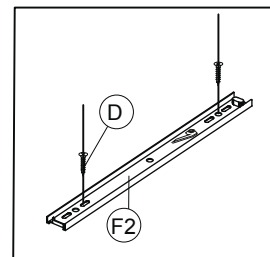
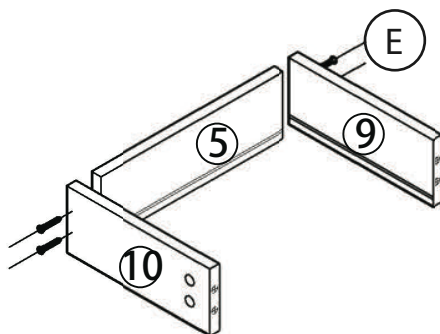
ITEM NO.: I201- 45  
NIGHT STAND

## STEP 7:

BACK VIEW



## STEP 8:



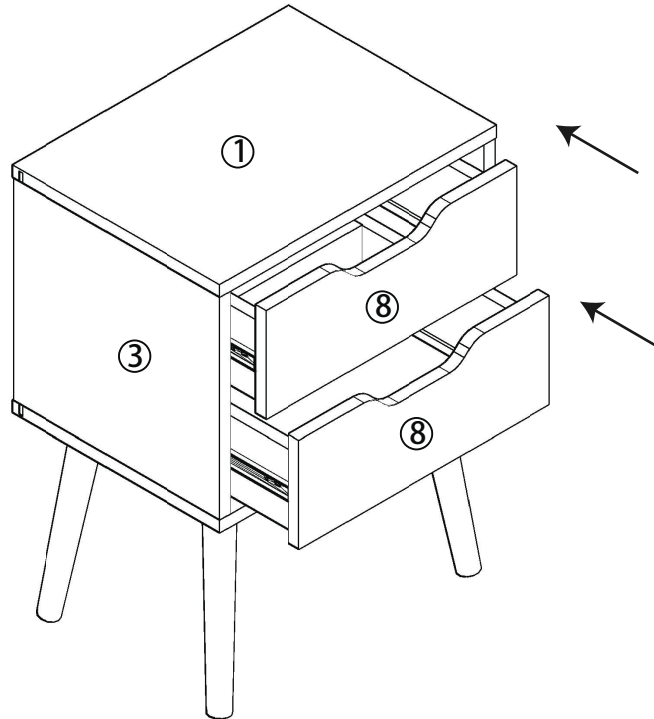
Cleaning instruction: Clean using soft cloth

Made in Malaysia

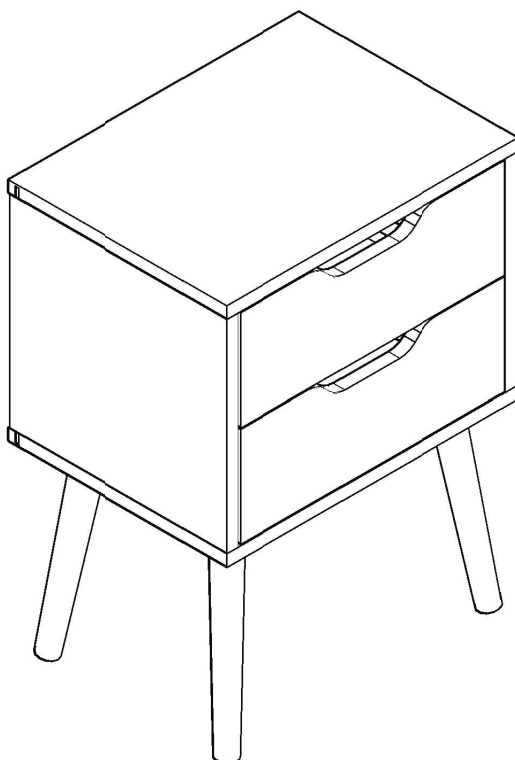
# ASSEMBLY INSTRUCTIONS

ITEM NO.: I201- 45  
NIGHT STAND

## STEP 9:



## STEP 10:



COMPLETE ASSEMBLED