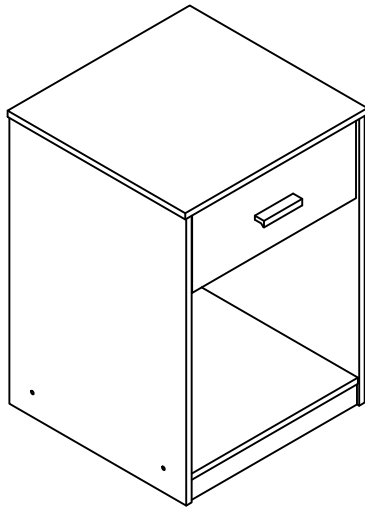


GEOHOME®
ART WITH AN ATTITUDE

ASSEMBLY INSTRUCTION

Item No: I200-43

Description: NIGHTSTAND W / DRAWER



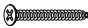






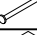



IMPORTANT NOTE:

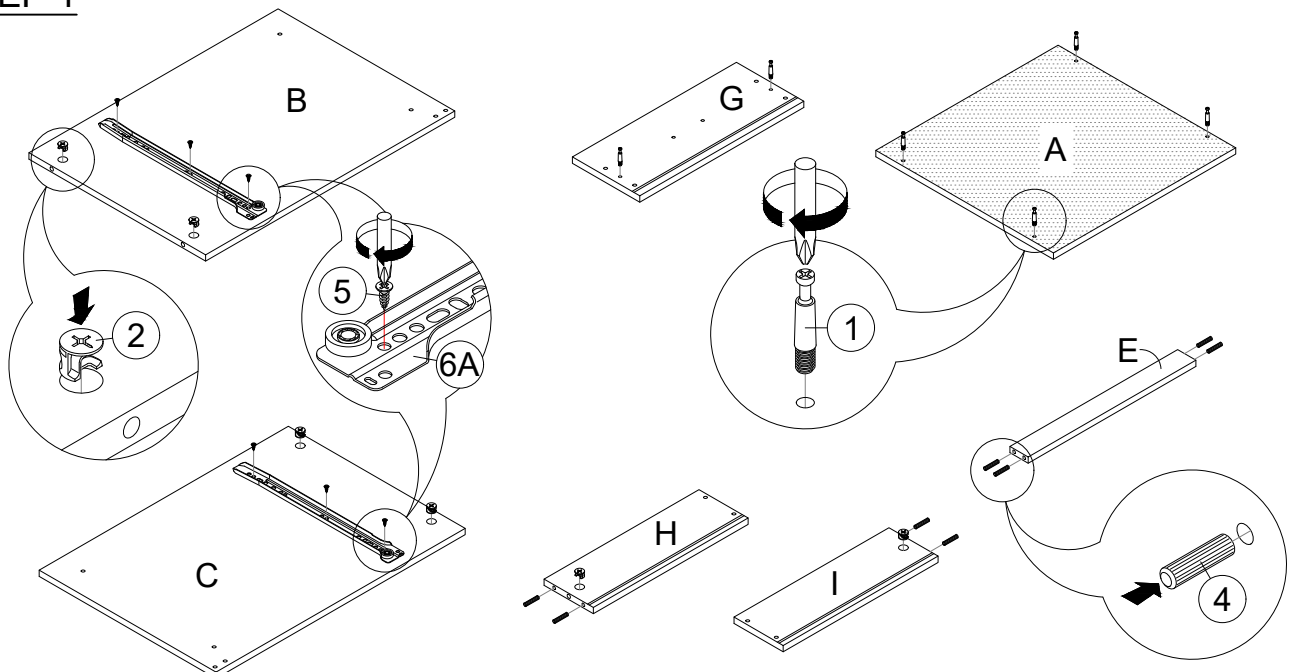
- Place all wooden parts on a clean and smooth surface such as a rug or carpet to avoid the parts from being scratched.
- Check to be sure that you have all parts and hardware.
- Remove all wrapping materials, including staples & packing straps before you start to assemble.
- Do not tighten all screws/bolts until all completely assembled.
- Keep all hardware parts out of reach of children!
- Tighten screws periodically! With the use of this product bolts and screws may become loose over time!
- Don't attempt to modify parts!

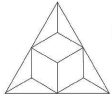
Each Item

PARTS LIST		
NO	COMPONENT	QTY
A	TOP PANEL	1 PC
B	LEFT SIDE PANEL	1 PC
C	RIGHT SIDE PANEL	1 PC
D	BOTTOM PANEL	1 PC
E	LEG PANEL	1 PC
F	BACK PANEL	1 PC
G	DRAWER FACE PANEL	1 PC
H	DRAWER LEFT PANEL	1 PC
I	DRAWER RIGHT PANEL	1 PC
J	DRAWER BACK PANEL	1 PC
K	DRAWER BASE PANEL	1 PC

HARDWARE LIST		
NO	DESCRIPTION	QTY
1	CAM- SCREW 	6 PCS
2	CAM-LOCK 	6 PCS
3	38MM C/B SCREW 	8 PCS
4	25MM WOODEN DOWEL 	8 PCS
5	12MM C/B SCREW 	10 PCS
6	DRAWER SLIDE  6A 6B	1 SET
7	DOOR HANDLE 	1 PC
8	3/4" PH TAPPING SCREW 	2 PCS
9	NAIL LEG 	4 PCS
10	NAIL 	14 PCS
11	STICKER 	6 PCS

STEP 1





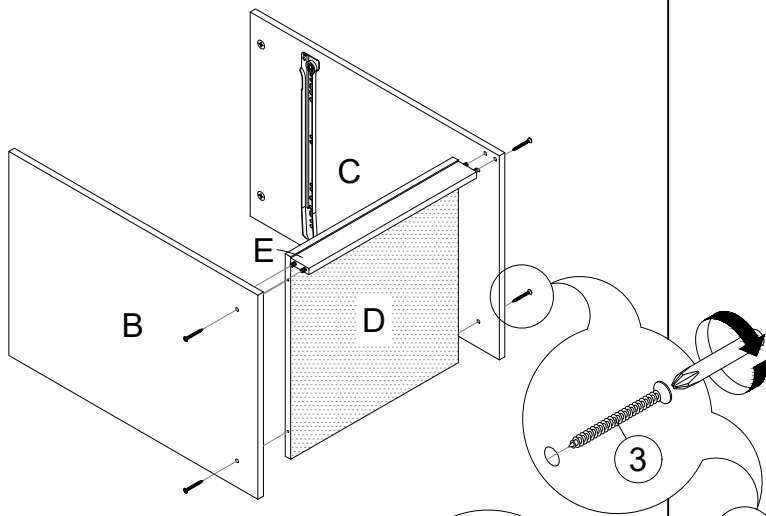
GEOHOME[®]
ART WITH AN ATTITUDE

ASSEMBLY INSTRUCTION

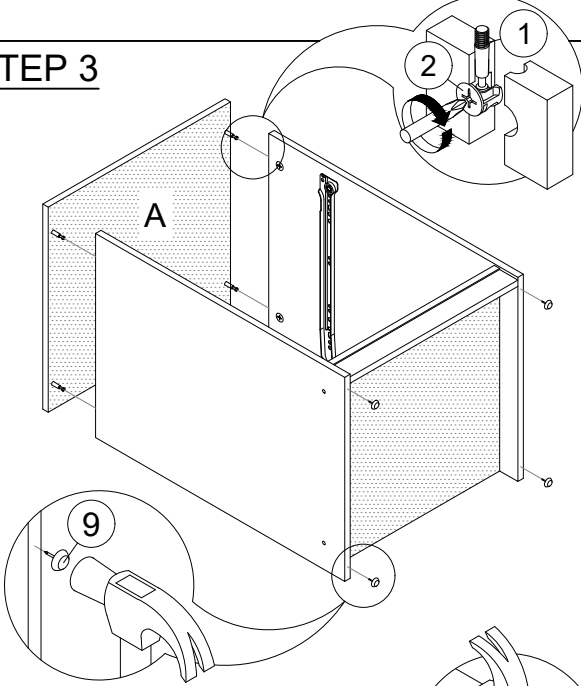
Item No: I200-43

Description: NIGHTSTAND W / DRAWER

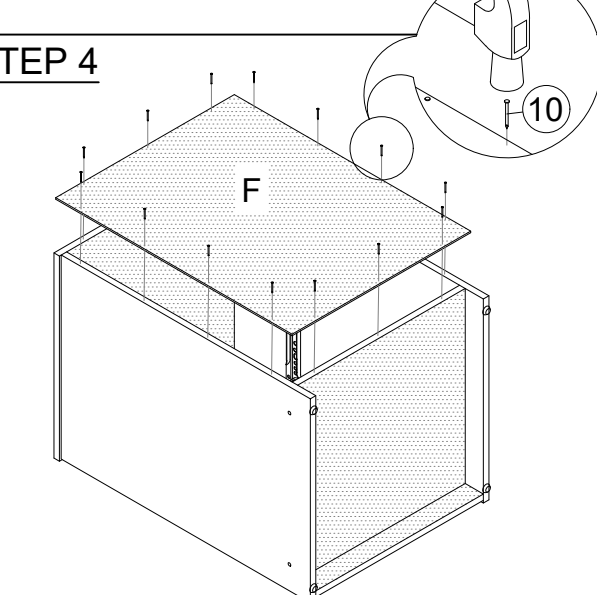
STEP 2



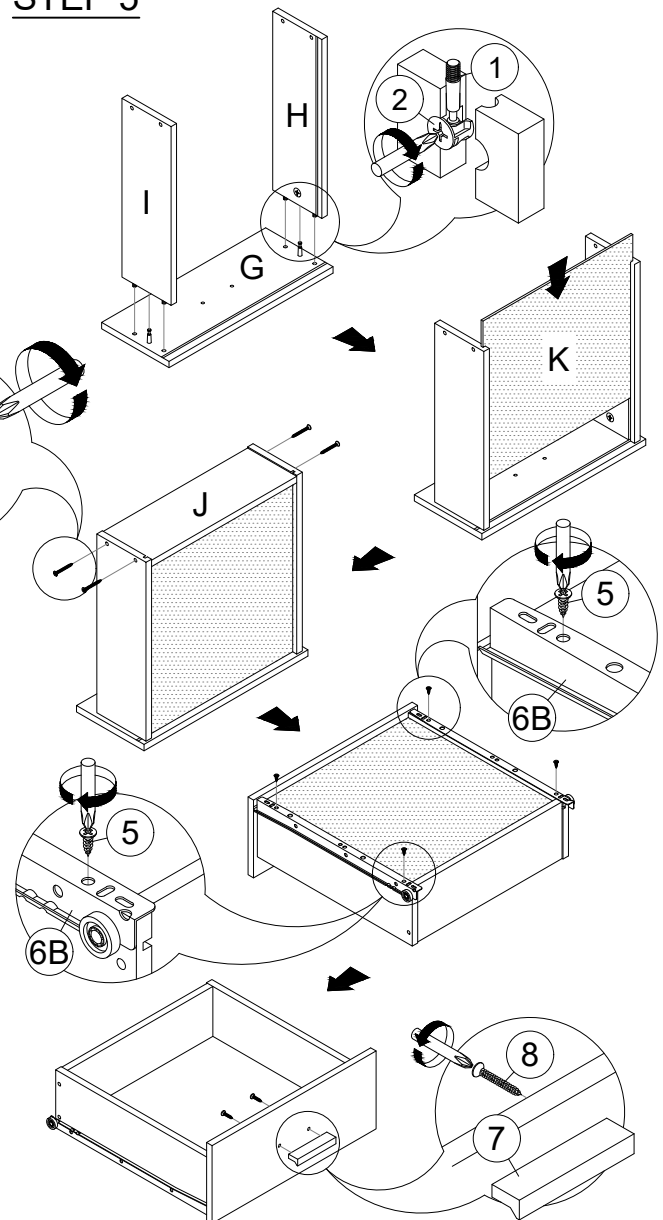
STEP 3



STEP 4



STEP 5



STEP 6

