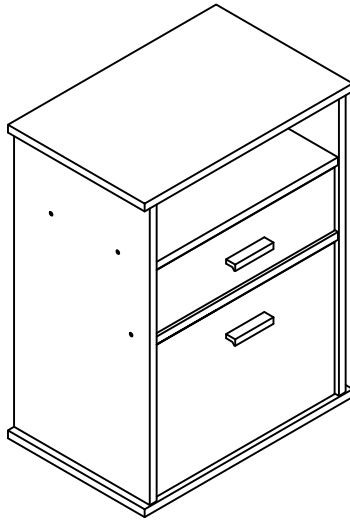


**GEOHOME®**  
ART WITH AN ATTITUDE

# ASSEMBLY INSTRUCTION

Item No: I200-44

Description: NIGHTSTAND W / 2 DRAWERS














## IMPORTANT NOTE:

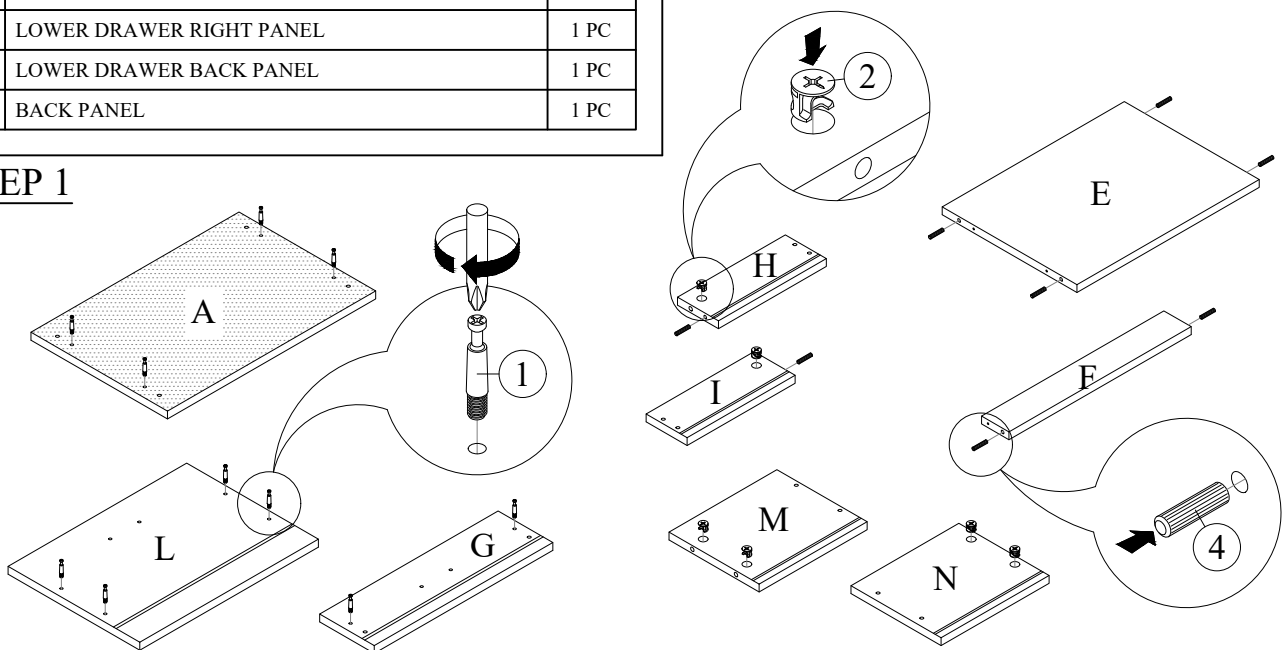
- Place all wooden parts on a clean and smooth surface such as a rug or carpet to avoid the parts from being scratched.
- Check to be sure that you have all parts and hardware.
- Remove all wrapping materials, including staples & packing straps before you start to assemble.
- Do not tighten all screws/bolts until all completely assembled.
- Keep all hardware parts out of reach of children!
- Tighten screws periodically! With the use of this product bolts and screws may become loose over time!
- Don't attempt to modify parts!

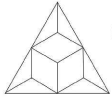
Each Item

PARTS LIST		
NO	COMPONENT	QTY
A	TOP PANEL	1 PC
B	LEFT SIDE PANEL	1 PC
C	RIGHT SIDE PANEL	1 PC
D	BOTTOM PANEL	1 PC
E	SHELF PANEL	1 PC
F	SUPPORT PANEL	1 PC
G	TOP DRAWER FACE PANEL	1 PC
H	TOP DRAWER LEFT PANEL	1 PC
I	TOP DRAWER RIGHT PANEL	1 PC
J	TOP DRAWER BACK PANEL	1 PC
K	DRAWER BASE PANEL	2 PCS
L	LOWER DRAWER FACE PANEL	1 PC
M	LOWER DRAWER LEFT PANEL	1 PC
N	LOWER DRAWER RIGHT PANEL	1 PC
O	LOWER DRAWER BACK PANEL	1 PC
P	BACK PANEL	1 PC

HARDWARE LIST		
NO	DESCRIPTION	QTY
1	CAM-SCREW 	10 PCS
2	CAM-LOCK 	10 PCS
3	45MM C/B SCREW 	18 PCS
4	30MM WOODEN DOWEL 	16 PCS
5	12MM C/B SCREW 	20 PCS
6	DRAWER SLIDE  6A 6B	2 SETS
7	DOOR HANDLE 	2 PCS
8	23MM PH TAPPING SCREW 	4 PCS
9	LEG WITH PLUG 	4 PCS
10	NAIL 	18 PCS
11	STICKER 	6 PCS

## STEP 1





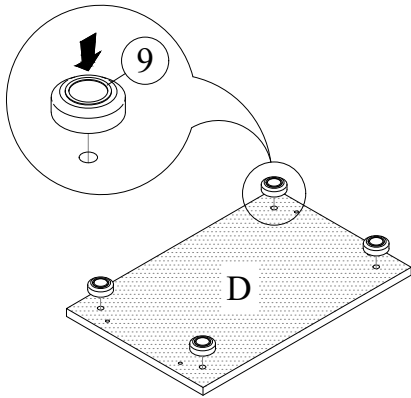
**GEOHOME®**  
ART WITH AN ATTITUDE

# ASSEMBLY INSTRUCTION

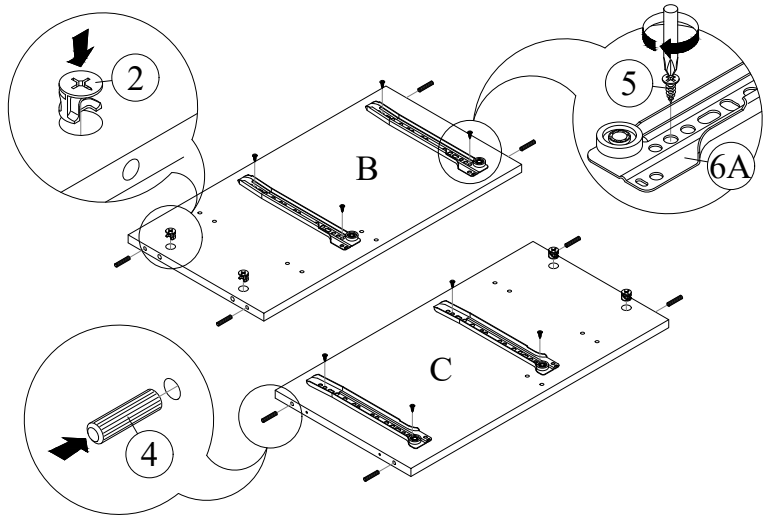
Item No: I200-44

Description: NIGHTSTAND W / 2 DRAWERS

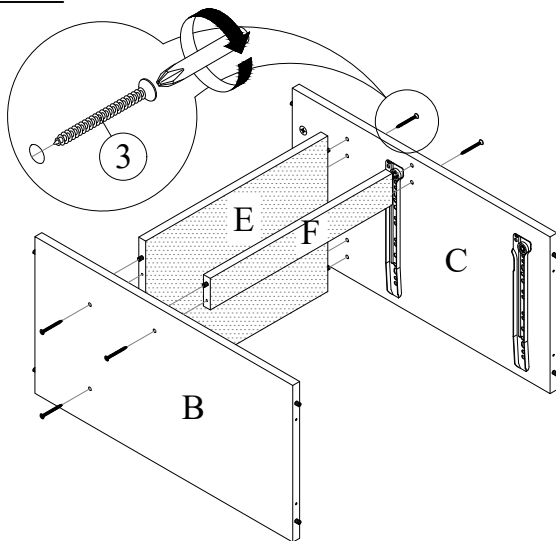
## STEP 2



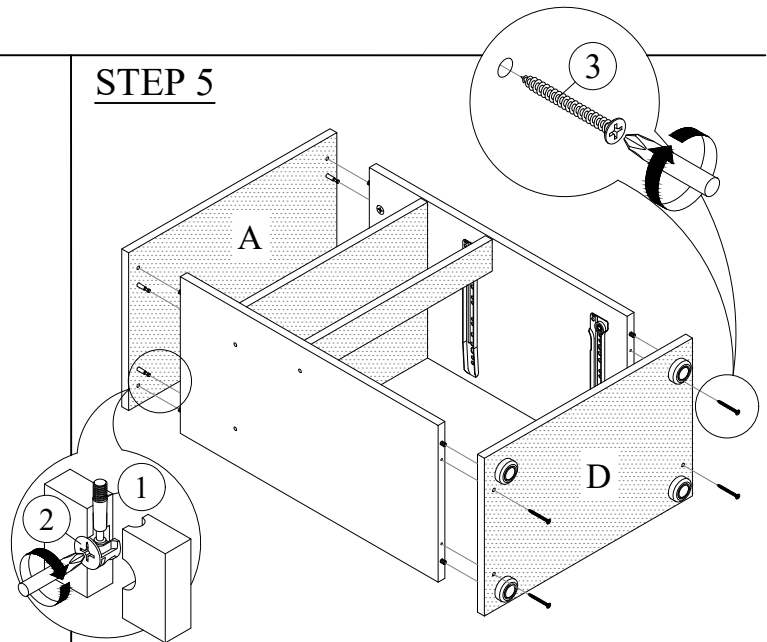
## STEP 3



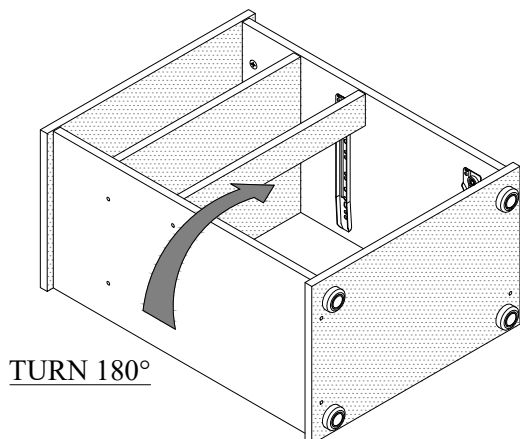
## STEP 4



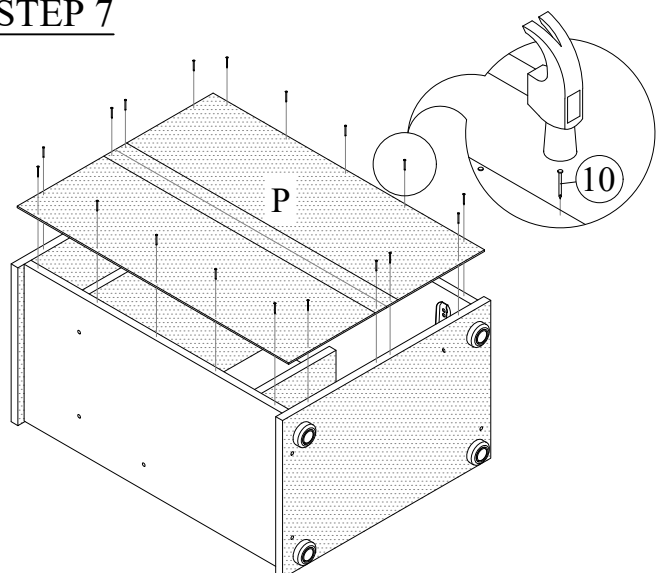
## STEP 5

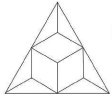


## STEP 6



## STEP 7





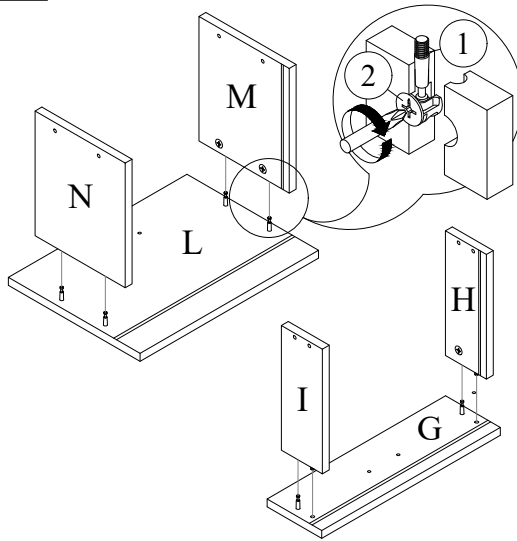
GEOHOME®  
ART WITH AN ATTITUDE

# ASSEMBLY INSTRUCTION

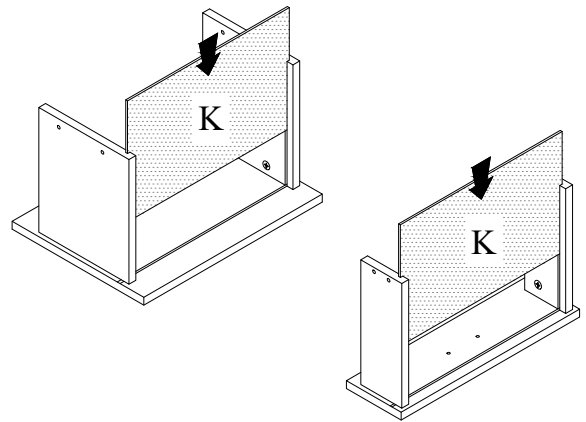
Item No: I200-44

Description: NIGHTSTAND W / 2 DRAWERS

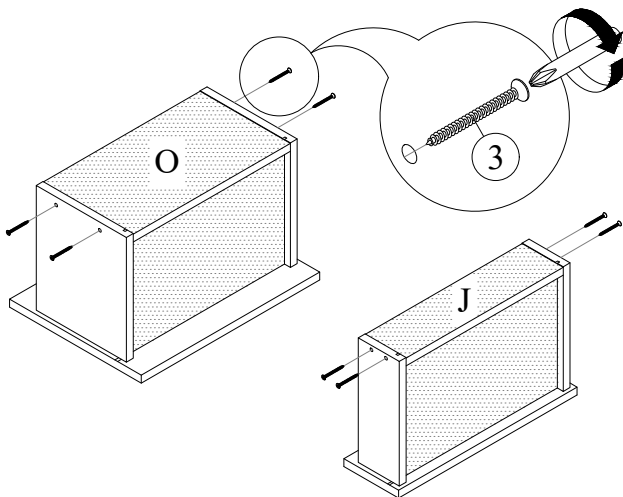
## STEP 8



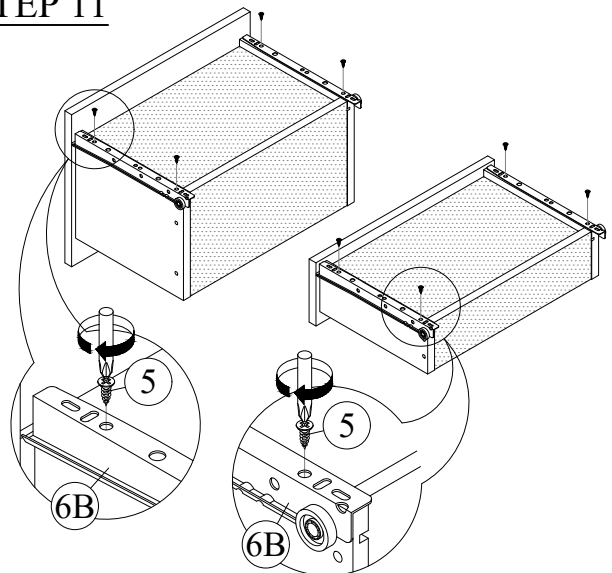
## STEP 9



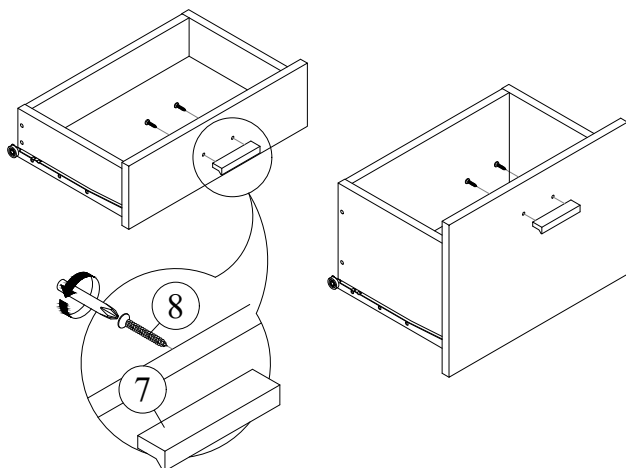
## STEP 10



## STEP 11



## STEP 12



## STEP 13

