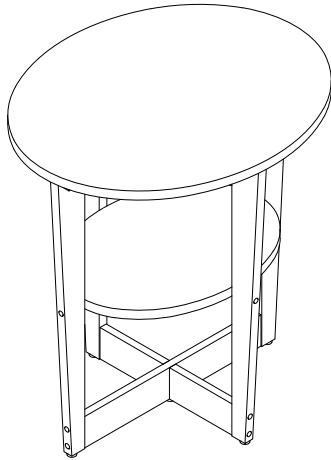


GEOHOME[®]
ART WITH AN ATTITUDE

ASSEMBLY INSTRUCTION

Item No: I200-46

Description: OVAL BEDSIDE TABLE

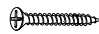



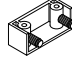





IMPORTANT NOTE:

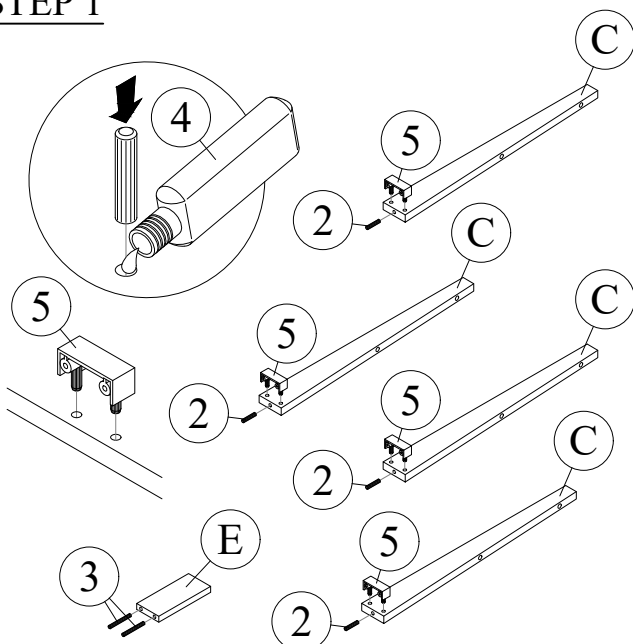
- Place all wooden parts on a clean and smooth surface such as a rug or carpet to avoid the parts from being scratched.
- Check to be sure that you have all parts and hardware.
- Remove all wrapping materials, including staples & packing straps before you start to assemble.
- Do not tighten all screws/bolts until all completely assembled.
- Keep all hardware parts out of reach of children!
- Tighten screws periodically! With the use of this product bolts and screws may become loose over time!
- Don't attempt to modify parts!

Each Item

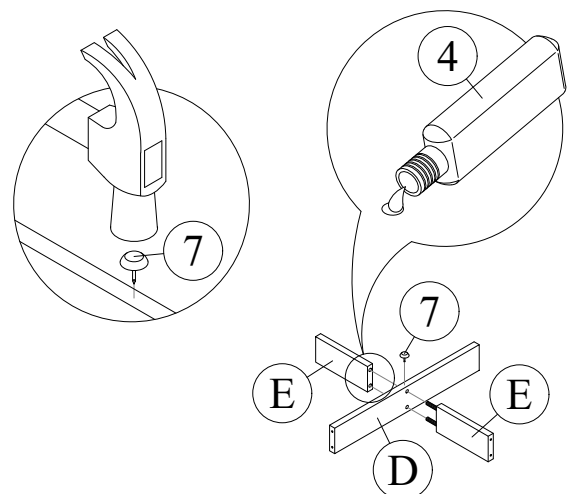
PARTS LIST		
NO	COMPONENT	QTY
A	TOP PANEL	1 PC
B	SHELF PANEL	1 PC
C	LEG PANEL	4 PCS
D	LONG SUPPORT PANEL	1 PC
E	SHORT SUPPORT PANEL	2 PCS

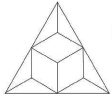
HARDWARE LIST		
NO	DESCRIPTION	QTY
1	CHIPBOARD SCREW M4 x 45MM 	12 PCS
2	WOODEN DOWEL M6 x 30MM 	4 PCS
3	WOODEN DOWEL M6 x 50MM 	2 PCS
4	GLUE 	1 PC
5	BRACKET 	4 PCS
6	CSK SCREW #8 x 1" 	8 PCS
7	GLIDE 	5 PCS
8	STICKER 	12 PCS

STEP 1



STEP 2





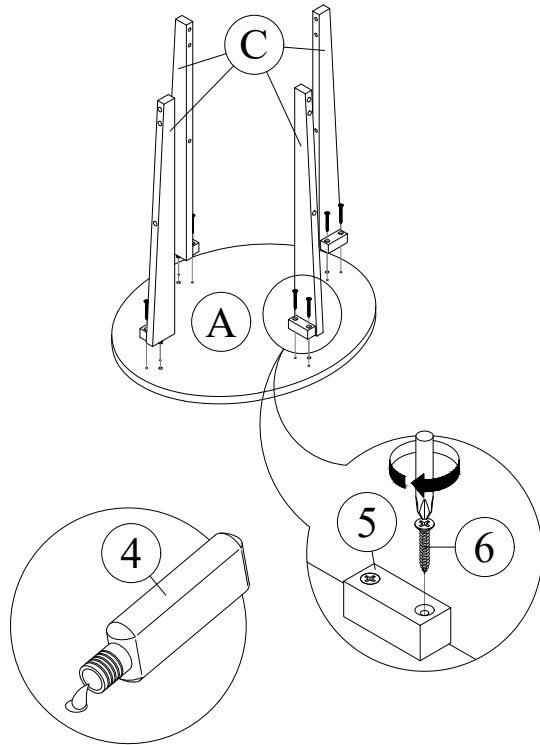
GEOHOME[®]
ART WITH AN ATTITUDE

ASSEMBLY INSTRUCTION

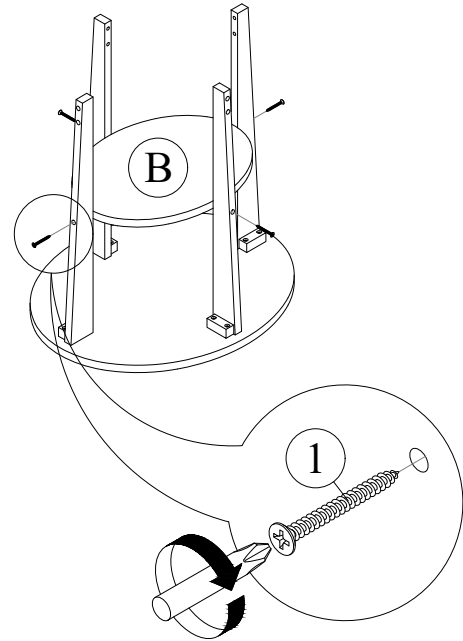
Item No: I200-46

Description: OVAL BEDSIDE TABLE

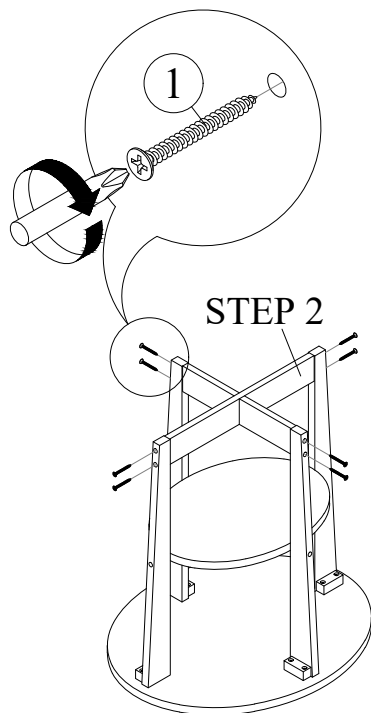
STEP 3



STEP 4



STEP 5



STEP 6

