
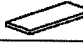
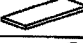
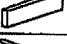




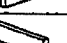
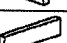
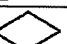




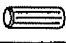

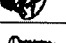
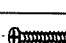
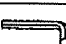


ASSEMBLY INSTRUCTIONS

ITEM NO : A292 - 71

Desk

Thank you for purchasing this quality product. Place all wooden parts on a clean and smooth surface such as a rug or carpet to avoid the parts from being scratched. Be sure to check all packing materials carefully for small parts may have come loose inside the carton during shipment, clarify and count all parts and compare with the parts list below. Do not tighten all screws / bolts until all completely assembled.

PARTS LIST		
NO.	COMPONENT	QTY.
A1	Table Top With Drawer Box 	1 Set
A	Top Panel 	1 pc
B	Bottom Panel 	1 pc
C	Left Side Panel 	1 pc
D	Right Side Panel 	1 pc
E	Upright 	2 pcs
F	Back Panel 	1 pc
G	Drawer Front Panel 	3 pcs
H	Drawer Side Panel - Left 	3 pcs
J	Drawer Side Panel - Right 	3 pcs
K	Drawer Back Panel 	3 pcs
L	Drawer Bottom Panel 	3 pcs

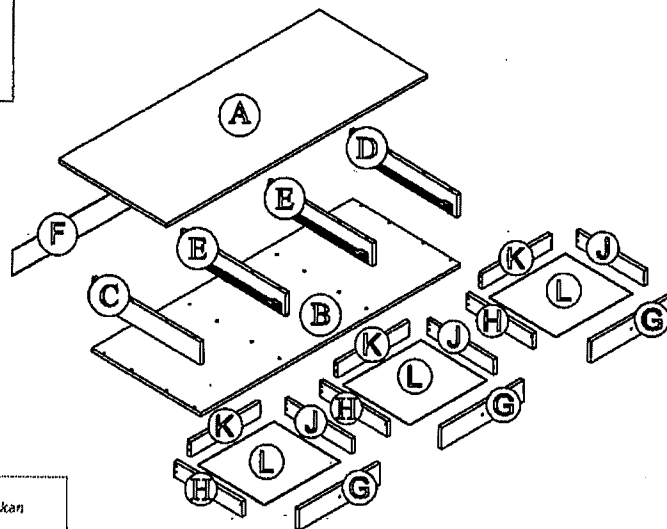
HARDWARE LIST		
NO.	COMPONENT	QTY.
1	JCBC Screw M6 x 45mm 	8 pcs
2	Wood Dowel M8 x 30mm 	30 pcs
3	Minifix Bolt 	14 pcs
4	Minifix Cam 	14 pcs
5	CB Screw M3.5 x 14mm 	12 pcs
6	CB Screw M4 x 38mm 	12 pcs
7	Allen Key M4 x 65mm 	1 pc
8	Drawer Slide 300mm 	6 pcs



NOTE : YOU WILL ALSO NEED A SCREWDRIVER (NOT PROVIDED)

These parts are cumbersome and heavy. Therefore, two people are recommended in order to prevent personal injury and insure the parts are not damaged during the assembly.

Important Notes

- * Keep all hardware parts out of reach of children !
- * Tighten screws periodically ! With the use of this product bolts and screws may become loose over time
- * Don't attempt to modify parts !



<p>Tools Required Alat yang diperlukan</p> 	<p>Person Required Orang yang diperlukan</p>  x 2
---	--

Cleaning instruction : Clean using soft cloth


Made In Malaysia

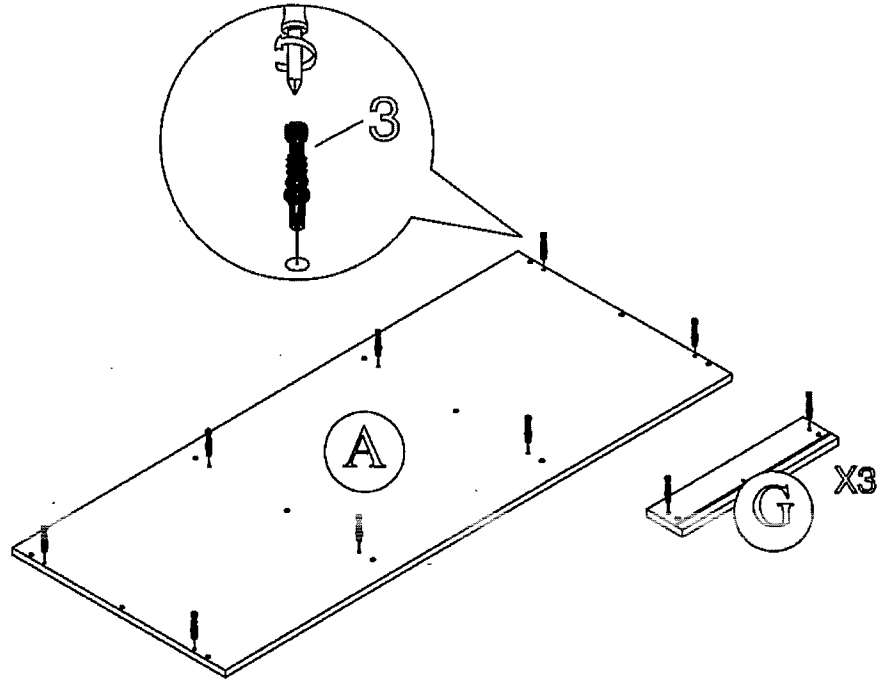
ASSEMBLY INSTRUCTIONS

ITEM NO : A292 - 71



Desk

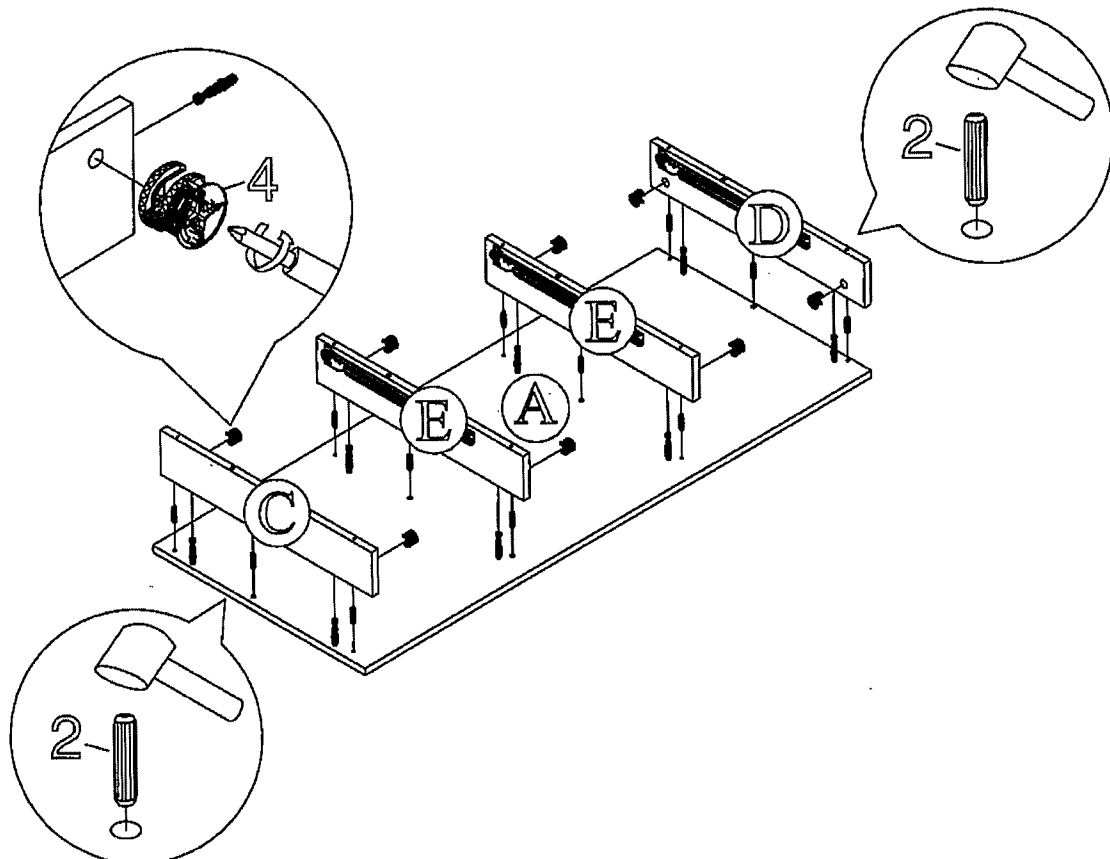
STEP 1

3		14 pcs
---	---	--------



STEP 2

2		12 pcs
4		8 pcs



Cleaning instruction : Clean using soft cloth

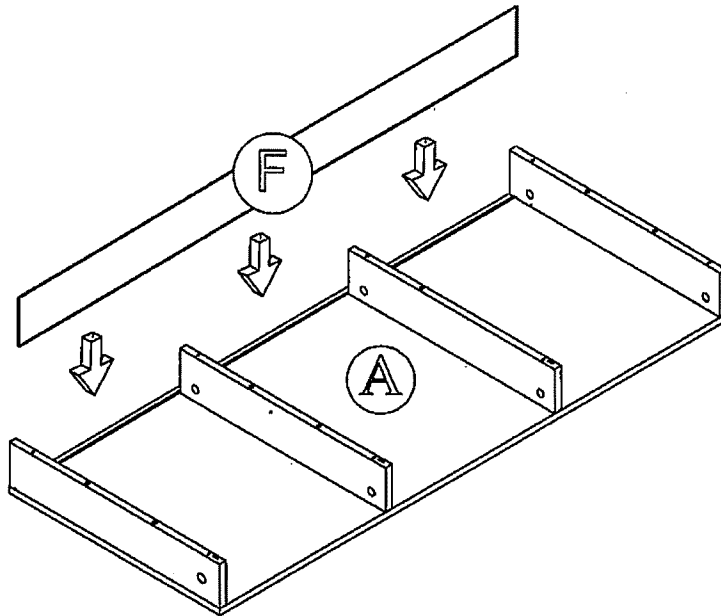
Made In Malaysia

ASSEMBLY INSTRUCTIONS




ITEM NO : A292 - 71

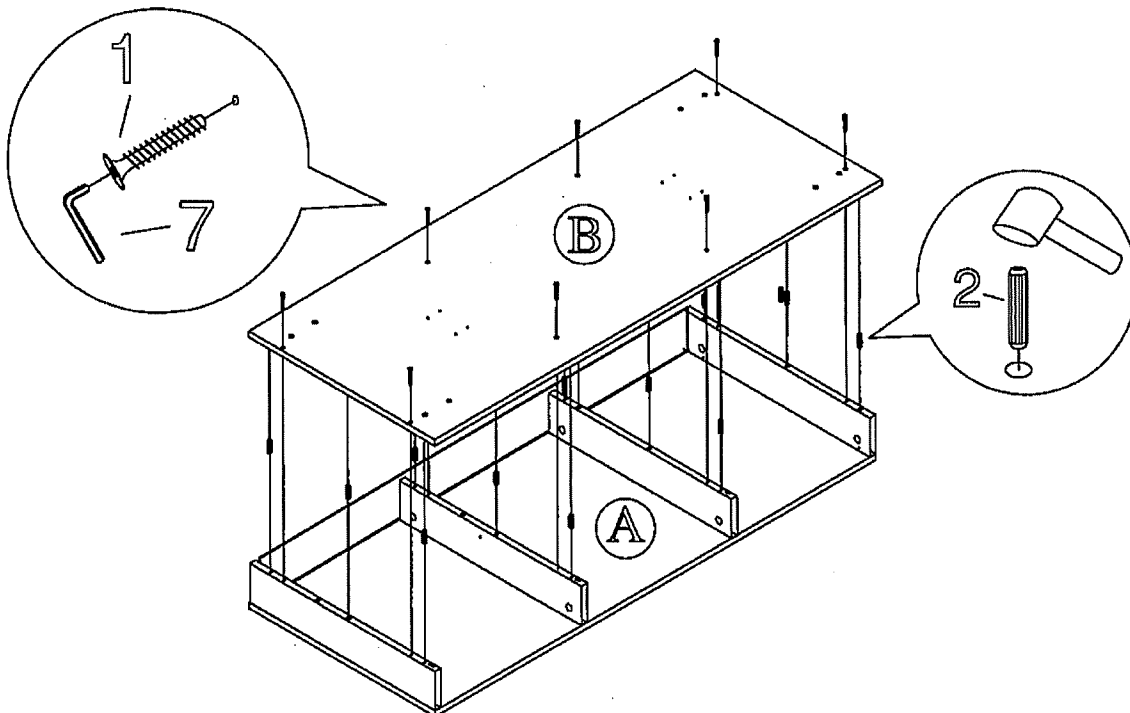
Desk

STEP 3



STEP 4

1		8 pcs
2		12 pcs
7		1 pcs



Cleaning instruction : Clean using soft cloth

Made In Malaysia

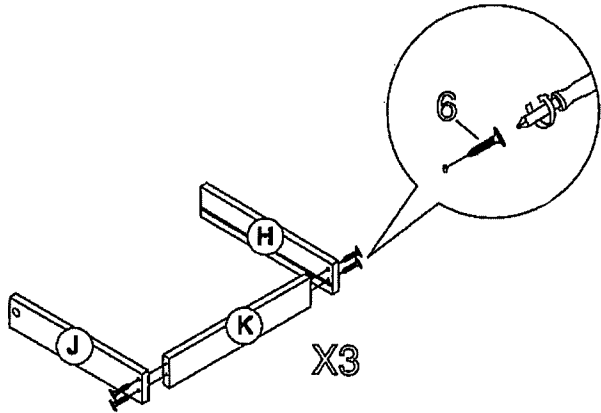
ASSEMBLY INSTRUCTIONS

ITEM NO : A292 - 71

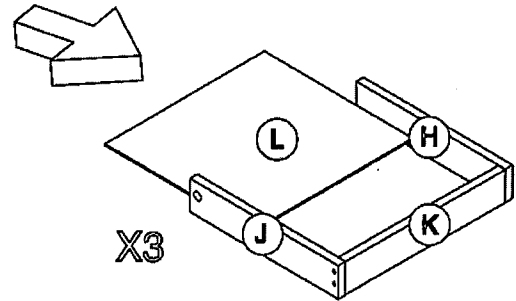
Desk

STEP 5

6  12 pcs

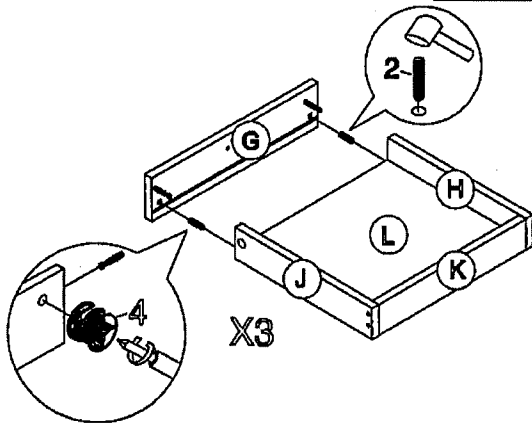


STEP 6





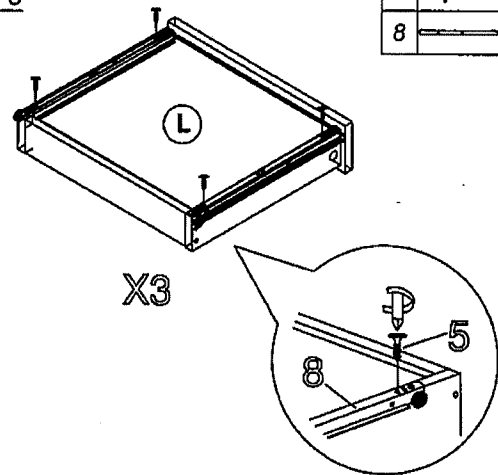
STEP 7

2  6 pcs
4  6 pcs

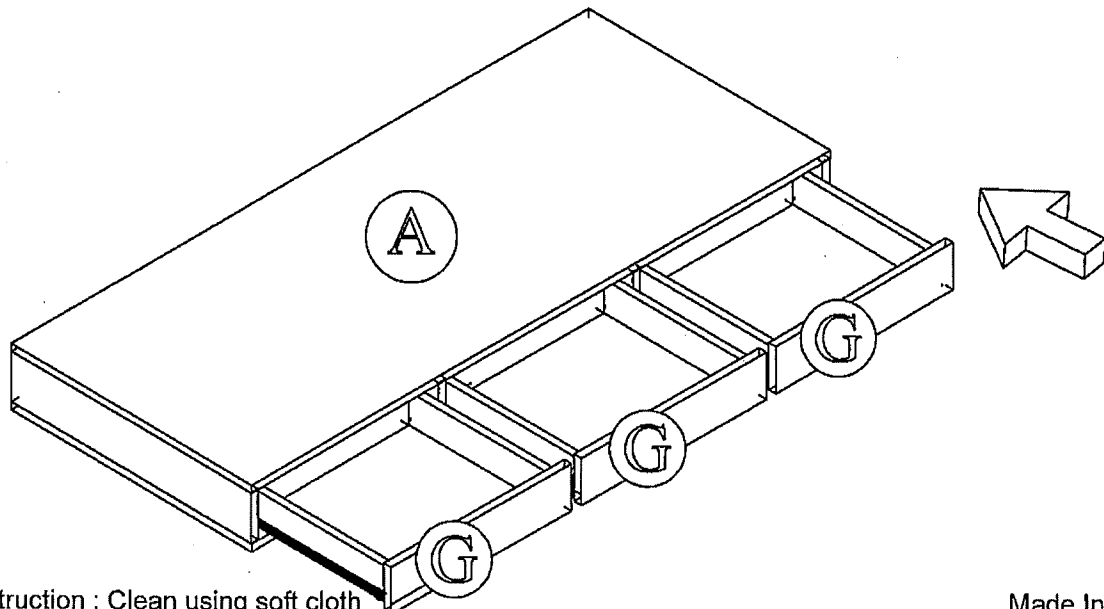


STEP 8

5  12 pcs
8  6 pcs



STEP 9



Cleaning instruction : Clean using soft cloth


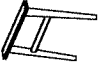
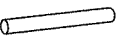

Made In Malaysia




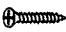
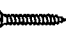


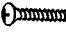
ASSEMBLY INSTRUCTIONS

ITEM NO : A292 - 71

Desk

Thank you for purchasing this quality product. Place all wooden parts on a clean and smooth surface such as a rug or carpet to avoid the parts from being scratched. Be sure to check all packing materials carefully for small parts may have come loose inside the carton during shipment, clarify and count all parts and compare with the parts list below. Do not tighten all screws / bolts until all completely assembled.

PARTS LIST		
NO.	COMPONENT	QTY.
A1	Drawer Box 	1 set
M	Table Leg 	2 pcs
N	Leg Support 	2 pcs
P	Mounting Plate 	2 pcs

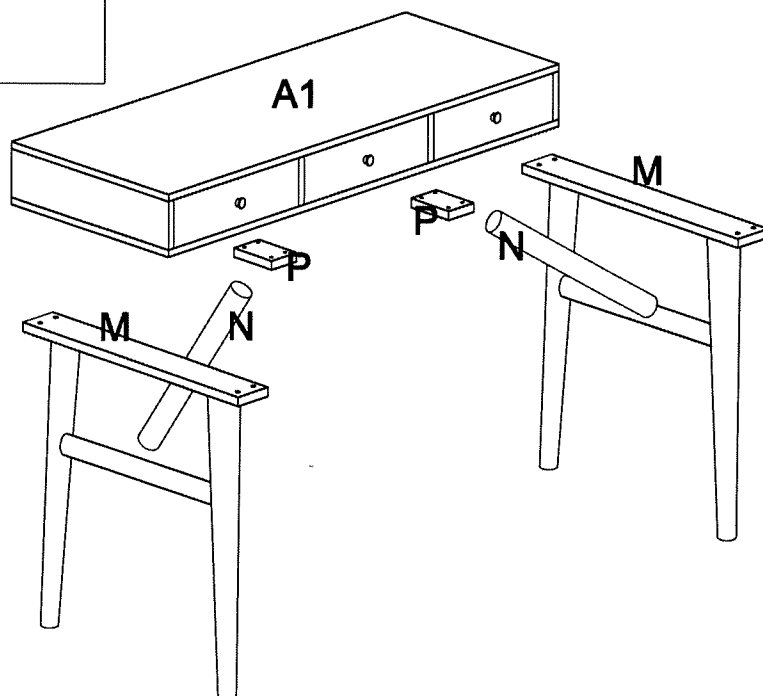
HARDWARE LIST		
NO.	COMPONENT	QTY.
10	JCBC Bolt M6 x 35mm 	8 pcs
11	1/4" Spring Washer 	8 pcs
12	1/4" Flat Washer 	8 pcs
13	CB Screw M4 x 30mm 	10 pcs
14	CB Screw M4 x 38mm 	6 pcs
15	Allen Key M4 x 65mm 	1 pc
16	Knobs 	3 pcs
17	Truss Screw M4 x 22mm 	3 pcs

NOTE : YOU WILL ALSO NEED A SCREWDRIVER (NOT PROVIDED)

These parts are cumbersome and heavy. Therefore, two people are recommended in order to prevent personal injury and insure the parts are not damaged during the assembly.

△ Important Notes

- * Keep all hardware parts out of reach of children !
- * Tighten screws periodically ! With the use of this product bolts and screws may become loose over time
- * Don't attempt to modify parts !



Cleaning instruction : Clean using soft cloth

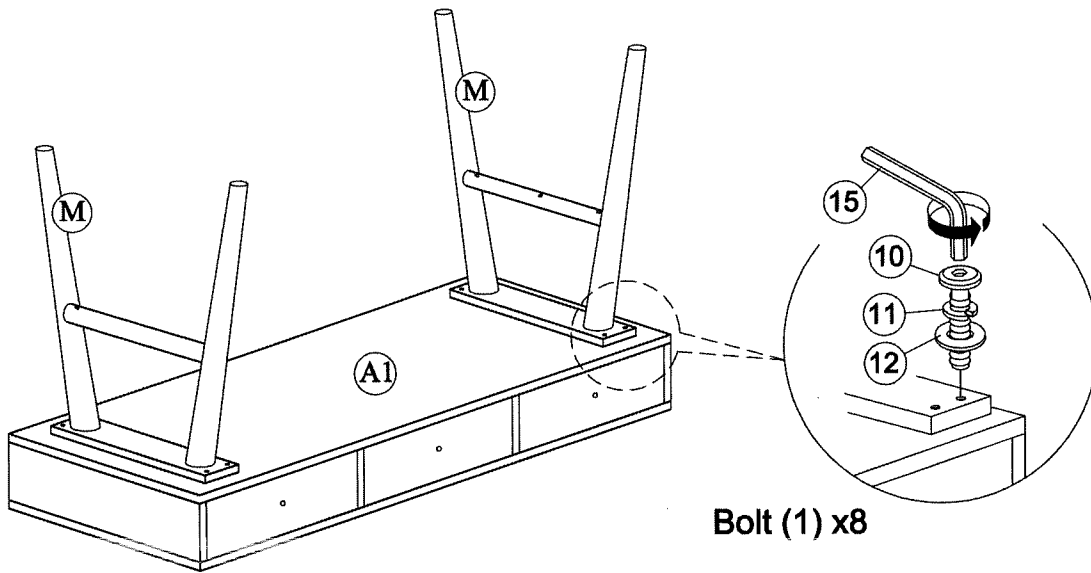
Made In Malaysia

ASSEMBLY INSTRUCTIONS

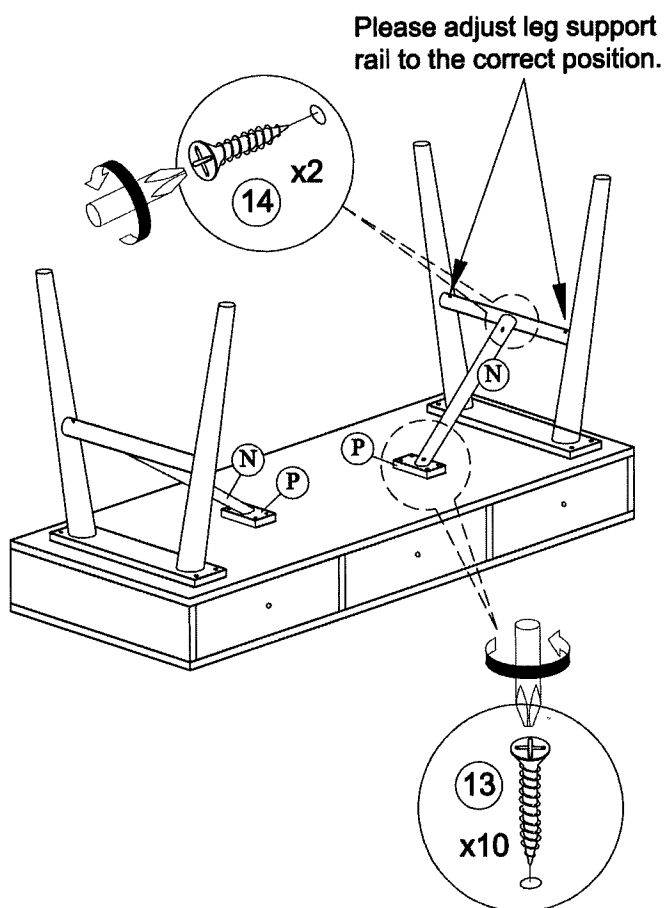
ITEM NO : A292 - 71

Desk

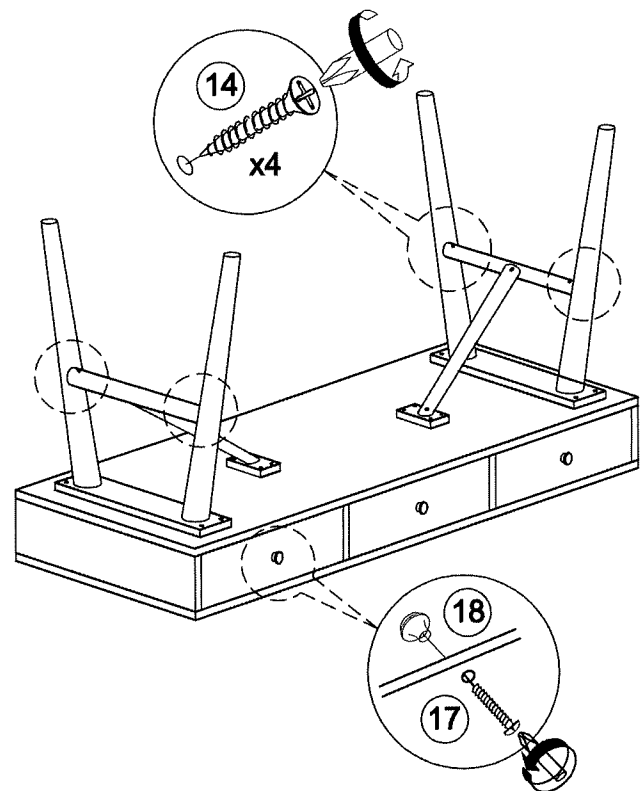
STEP 1



STEP 2



STEP 3



Cleaning instruction : Clean using soft cloth

Made In Malaysia