







ASSEMBLY INSTRUCTIONS

ITEM NO : D596 - 12

Counter Table

Thank you for purchasing this quality product. Place all wooden parts on a clean and smooth surface such as a rug or carpet to avoid the parts from being scratched. Be sure to check all packing materials carefully for small parts may have come loose inside the carton during shipment, clarify and count all parts and compare with the parts list below. Do not tighten all screws / bolts until all completely assembled.

PARTS LIST		
NO.	COMPONENT	QTY.
A	Table Top With Drawer Assembly	1 pc
B	Table Leg - Left (CL)	2 pcs
C	Table Leg - Right (CR)	2 pcs
D	Table Leg Upper Rail	2 pcs
E	Table Leg Bottom Rail	2 pcs
F	Cross Bar	1 pc

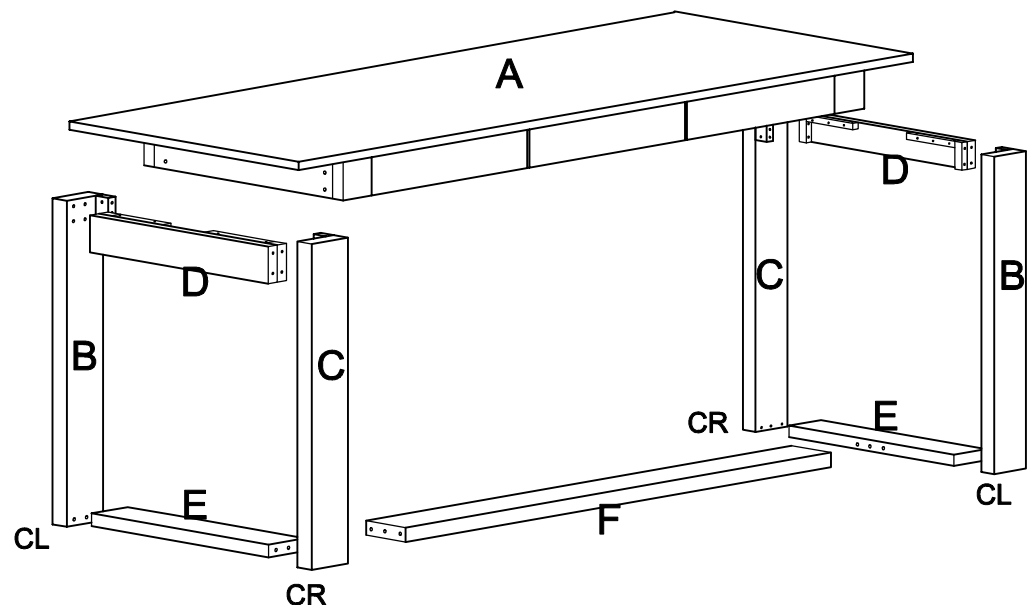
HARDWARE LIST		
NO.	COMPONENT	QTY.
1	JCBC Bolt M6 x 40mm 	28 pcs
2	1/4" Spring Washer 	28 pcs
3	Flat Washer M6 x 13mm 	16 pcs
4	Wood Dowel M10 x 35mm 	14 pcs
5	Pan Head Screw M4 x 32mm 	12 pcs
6	Allen Key M4 x 110mm 	1 pc

NOTE : YOU WILL ALSO NEED A SCREWDRIVER (NOT PROVIDED)

These parts are cumbersome and heavy. Therefore, two people are recommended in order to prevent personal injury and insure the parts are not damaged during the assembly.

Important Notes

- * Keep all hardware parts out of reach of children !
- * Tighten screws periodically ! With the use of this product bolts and screws may become loose over time
- * Don't attempt to modify parts !



Cleaning instruction : Clean using soft cloth

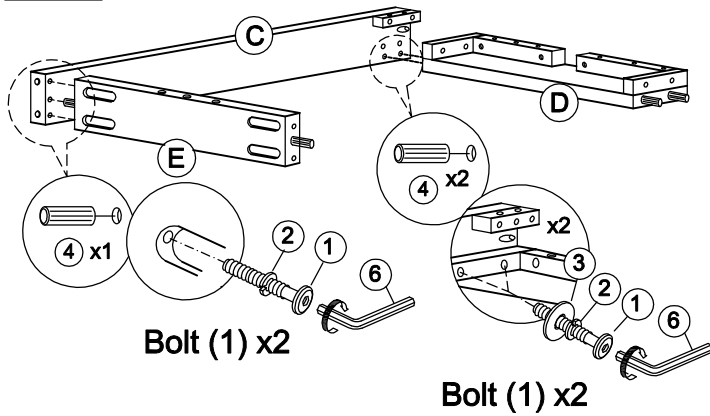
Made In Malaysia

ASSEMBLY INSTRUCTIONS

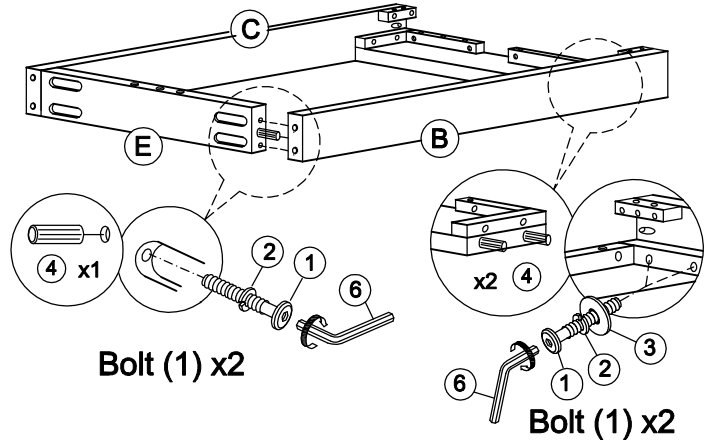
ITEM NO : D596 - 12

Counter Table

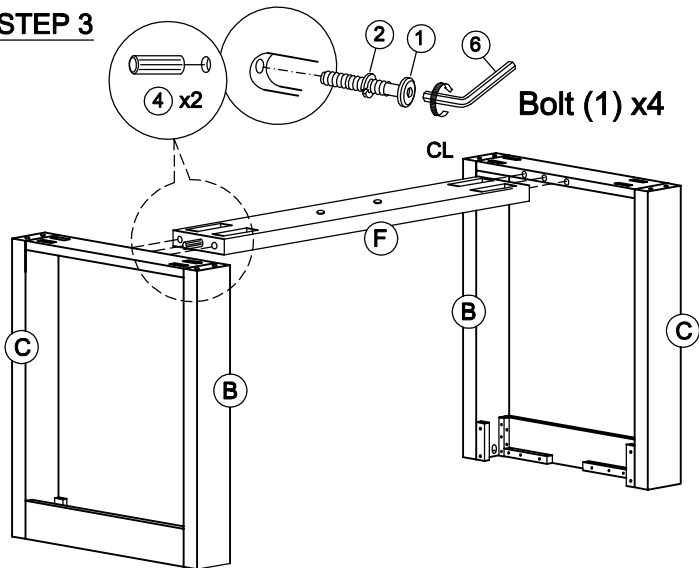
STEP 1



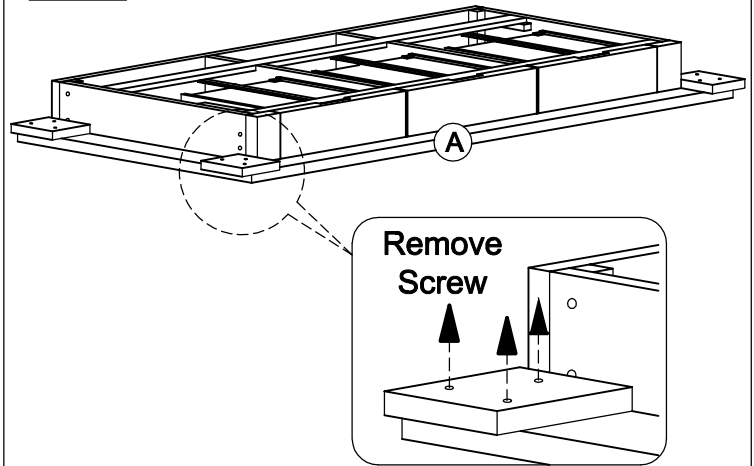
STEP 2



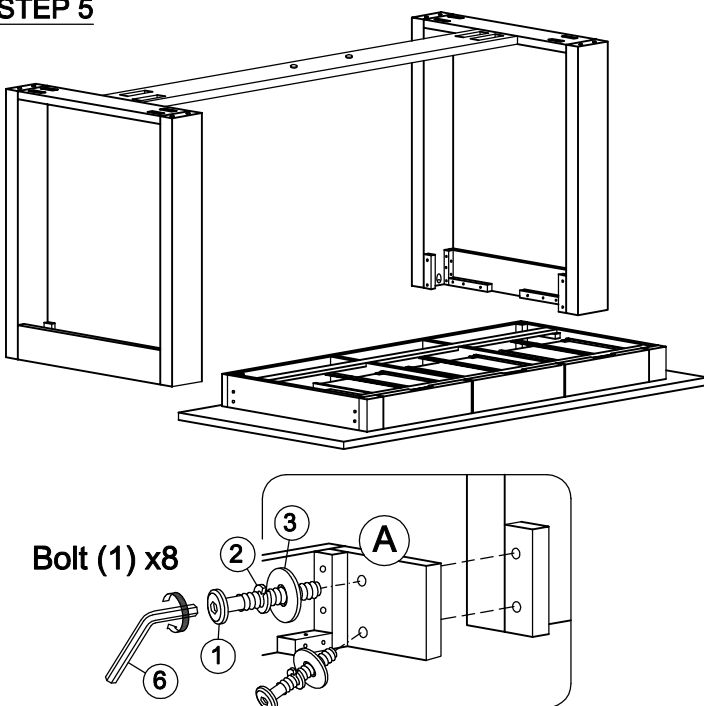
STEP 3



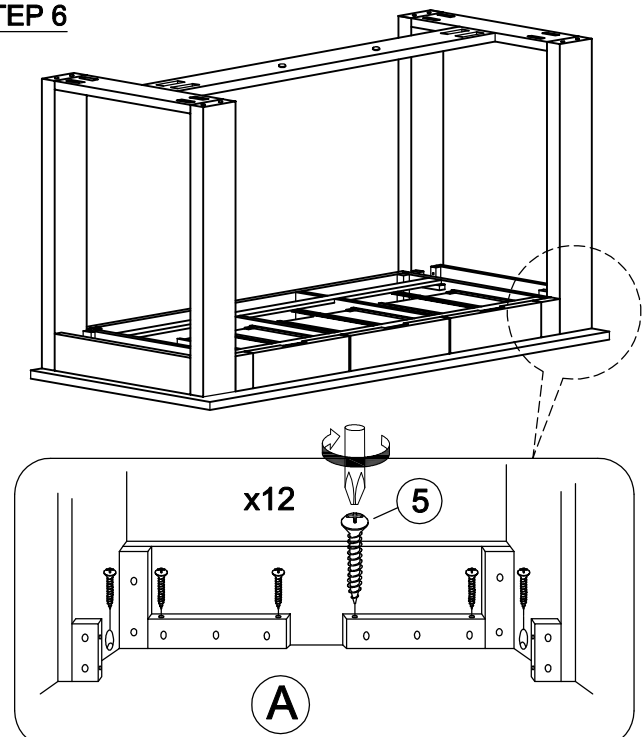
STEP 4



STEP 5



STEP 6



Cleaning instruction : Clean using soft cloth

Made In Malaysia